

Optical fiber SERIES



ODC

Optical fiber connector



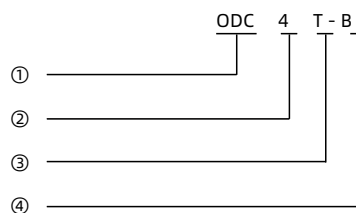
Technical characteristics	
Insertion loss	≤ 0.70 dB (typical value 0.4dB)
Return loss	40dB
Number of optical fiber cores	4, 8, 12, 24
Mechanical working life (mating cycles)	≥ 500
Vibrate	10-50HZ, 10g
Shock	100g
Limiting temperatures	Normal -20°C ... +75°C
	Special -40°C ... +85°C
Degree of protection	IP67

Technical characteristics

ODC series of outdoor optical fiber connector has solid structure and reliable connection, and is waterproof and dustproof. It is extensively used in the optical transmission and connection under severe outdoor environment like sensing and power.

1. Screw-threaded locking mechanism guarantees long-term and reliable connection.
2. Guide mechanism enables blind insertion with single hand, making the installation easy and quick.
3. Sealing design makes the connector waterproof, dustproof (IP67) and anti-corrosive.
4. Compact, easy to operate, solid and durable.
5. Applicable to single-mode or multimode optical fiber.

Naming Rule



- ① (ODC): Name of Series
- ② (4): Number of pins of optical fiber plug (4, 8, 12, 24)
- ③ (T): T: Plug, Z: Socket
- ④ (B): B- Aluminum alloy oxidized into black
N- Chemical nickel-plating of aluminum alloy
K- Passivation of stainless steel

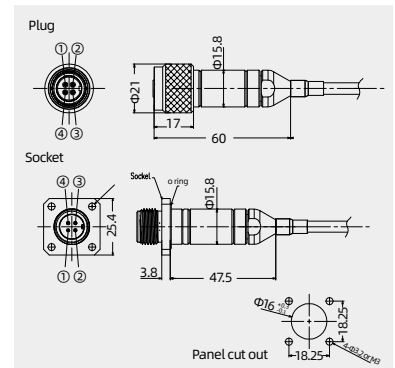
Optical fiber SERIES

Optical fiber SERIES

4 pins Optical fiber connector

Multiple kinds of optical fiber plug can be connected at the end, for example, FC, SC, ST, LC, etc. or optical plug or socket.

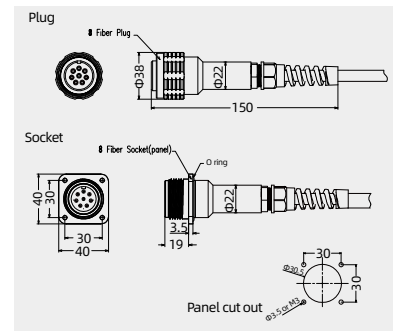
Connector	Description	Designation
Plug	Aluminum alloy oxidized into black	ODC4T-B
	Chemical nickel-plating of aluminum alloy	ODC4T-N
	Passivation of stainless steel	ODC4T-K
Socket	Aluminum alloy oxidized into black	ODC4Z-B
	Chemical nickel-plating of aluminum alloy	ODC4Z-N
	Passivation of stainless steel	ODC4Z-K



8 pins Optical fiber connector

Multiple kinds of optical fiber plug can be connected at the end, for example, FC, SC, ST, LC, etc. or optical plug or socket.

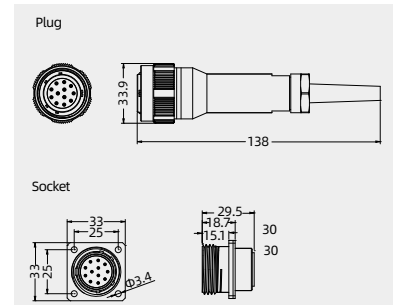
Connector	Description	Designation
Plug	Aluminum alloy oxidized into black	ODC8T-B
	Chemical nickel-plating of aluminum alloy	ODC8T-N
	Passivation of stainless steel	ODC8T-K
Socket	Aluminum alloy oxidized into black	ODC8Z-B
	Chemical nickel-plating of aluminum alloy	ODC8Z-N
	Passivation of stainless steel	ODC8Z-K



12 pins Optical fiber connector

Multiple kinds of optical fiber plug can be connected at the end, for example, FC, SC, ST, LC, etc. or optical plug or socket.

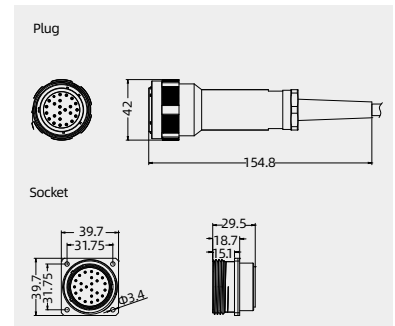
Connector	Description	Designation
Plug	Aluminum alloy oxidized into black	ODC12T-B
	Chemical nickel-plating of aluminum alloy	ODC12T-N
	Passivation of stainless steel	ODC12T-K
Socket	Aluminum alloy oxidized into black	ODC12Z-B
	Chemical nickel-plating of aluminum alloy	ODC12Z-N
	Passivation of stainless steel	ODC12Z-K



24 pins Optical fiber connector

Multiple kinds of optical fiber plug can be connected at the end, for example, FC, SC, ST, LC, etc. or optical plug or socket.

Connector	Description	Designation
Plug	Aluminum alloy oxidized into black	ODC24T-B
	Chemical nickel-plating of aluminum alloy	ODC24T-N
	Passivation of stainless steel	ODC24T-K
Socket	Aluminum alloy oxidized into black	ODC24Z-B
	Chemical nickel-plating of aluminum alloy	ODC24Z-N
	Passivation of stainless steel	ODC24Z-K

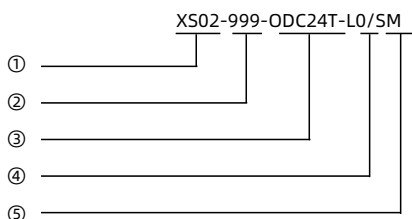


Prefabricated optical cable

Optical fiber connector is generally ordered as the component of prefabricated optical cable. Our standard configuration is non-metal mouseproof cable (62.5/125) reinforced with glass fiber. Other customized cables are also available.

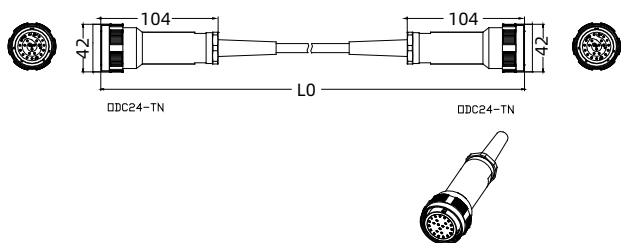


Naming Rule

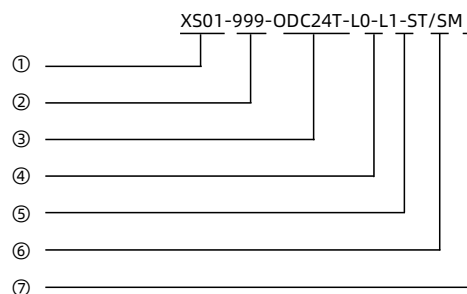


- ① XS02: Double-end prefabrication
- ② 999: Feature flow number, with 999 means no special requirement
- ③ ODC24TN: Model of optical fiber connector
- ④ L0: Length of prefabricated optical fiber
- ⑤ SM: Single-mode optical fiber 9/125

Drawing



Naming Rule



- ① XS01: Single-end prefabrication
- ② 999: Feature flow number, with 999 means no special requirement
- ③ ODC24TN: Model of optical fiber connector
- ④ L0: Length of prefabricated optical fiber
- ⑤ L1: Length of pigtail cable
- ⑥ ST: means that ST flange base is configured
- ⑦ SM: Single-mode optical fiber 9/125

Drawing

