

Q38 Multi-pin Connectors For Vehicle



Q38

Circular Connector Q38

250V 30/13A

Technical characteristics

Specifications			
Specifications	DIN EN 60 664 DIN EN 61 984		
Electrical data		Mechanical properties	
Number of contacts	12+19	-Mechanical working life	≥ 500
Electrical properties		-Lock mode	Quick connect card slot
-Rated current	30A (power) 13A (signal)	Environmental performance	
-Rated voltage	250V	-Working temperature	-55°C ...+105°C
-Rated impulse voltage	2000V	-Degree of Protection	IP67
Material and finish		-Pollution degree	3
-Hoods/Housings	The copper alloy plating nickel / PA		
-contact	Gold-plated copper alloy		
-Insulating material	PA		
-Sealing element	FKM, silica gel		

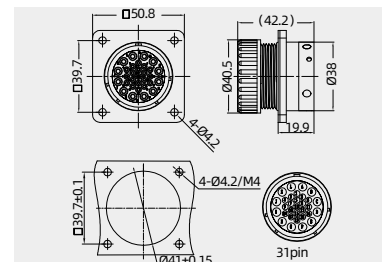
Remark: SPQ is 1pc

Male, Crimp terminal

Order crimp contacts separately



Contacts	Designation	Order No.
12+19	Q38-MC12/19-BK40-D29	174 031 310 3500

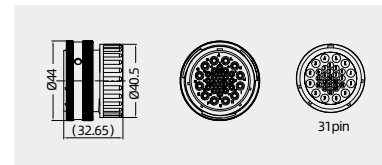


Female, Crimp terminal

Order crimp contacts separately



Contacts	Designation	Order No.
12+19	Q38-FC12/19-T-D29	174 031 420 3500



Accessories

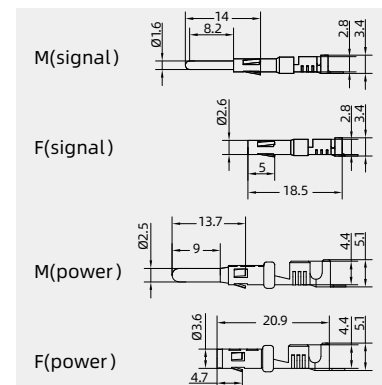
Remark: SPQ is 100pcs

Crimp contacts

signal

NO.	Male	Order No.	Female	Order No.
①	Q38-MC13G-1.5	2010413100901	Q38-FC13G-1.5	2010413200901
②	Q38-MC30G-2.5	2010323101001	Q38-FC30G-2.5	2010323201001

power



Contact removal tool



Application	Designation	Order No.
Q38-13A Stamped contacts	Q38-TL01	198 001 000 0042
Q38-30A Stamped contacts	Q38-TL02	198 001 000 0043

Circular Connector Q38

250V 30/13A

Technical characteristics

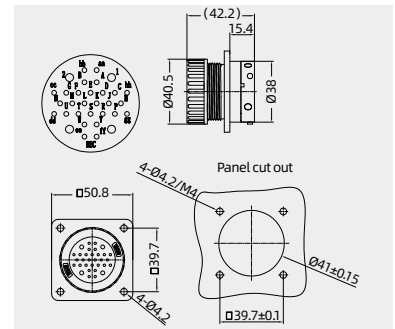
Specifications			
Specifications	DIN EN 60 664		
	DIN EN 61 984		
Electrical data		Mechanical properties	
Number of contacts	32 (28+4)	-Mechanical working life	≥ 500
Electrical properties		-Lock mode	Quick connect card slot
-Rated current	30A (power)	Environmental performance	
	13A (signal)	-Working temperature	-55°C ...+105°C
-Rated voltage	250V	-Degree of Protection	IP67
-Rated impulse voltage	2000V	-Pollution degree	3
Material and finish			
-Hoods/Housings	The copper alloy plating nickel / PA		
-contact	Gold-plated copper alloy		
-Insulating material	PA		
-Sealing element	FKM, silica gel		

Remark: SPQ is 1pc

Male, Crimp terminal

Order crimp contacts separately

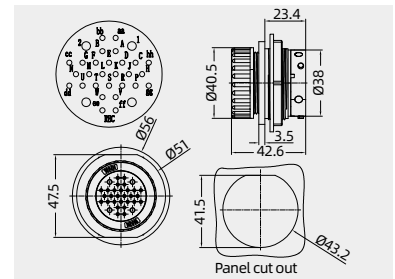
Contacts	Designation	Order No.
32(28+4)	Q38-MC04/28-BK40-D29	174 032 310 3500



Male, Crimp terminal

Order crimp contacts separately

Contacts	Designation	Order No.
32(28+4)	Q38-MC04/28-CCT/R-D29	174 032 310 3501



Accessories

Remark: SPQ is 100pcs

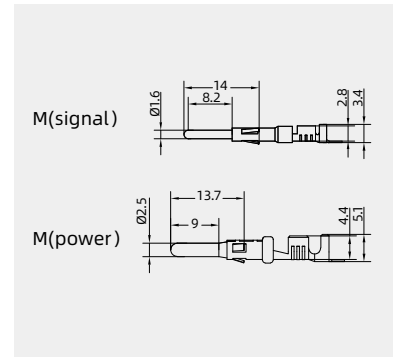
Crimp contacts

signal

NO.	Male	Order No.
①	Q38-MC13G-1.5	201 041 310 0901
②	Q38-MC30G-2.5	201 032 310 1001



power



Contact removal tool



Application	Designation	Order No.
Q38-13A Stamped contacts	Q38-TL01	198 001 000 0042
Q38-30A Stamped contacts	Q38-TL02	198 001 000 0043

Circular Connector Q38

250V 30/13A

Technical characteristics

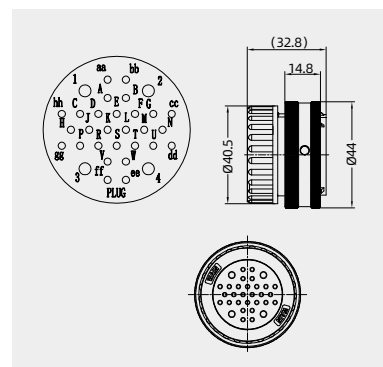
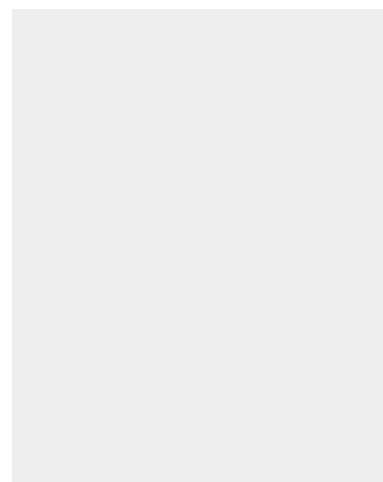
Specifications			
Specifications	DIN EN 60 664 DIN EN 61 984		
Electrical data		Mechanical properties	
Number of contacts	32 (28+4)	-Mechanical working life	≥ 500
Electrical properties		-Lock mode	Quick connect card slot
-Rated current	30A (power) 13A (signal)	Environmental performance	
-Rated voltage	250V	-Working temperature	-55°C ...+105°C
-Rated impulse voltage	2000V	-Degree of Protection	IP67
Material and finish		-Pollution degree	3
-Hoods/Housings	The copper alloy plating nickel / PA		
-contact	Gold-plated copper alloy		
-Insulating material	PA		
-Sealing element	FKM, silica gel		

Remark: SPQ is 1pc

Female, Crimp terminal

Order crimp contacts separately

Contacts	Designation	Order No.
32(28+4)	Q38-FC04/28-T-D29	174 032 320 3500



Accessories

Remark: SPQ is 100pcs

Crimp contacts

signal

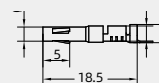
NO.	Female	Order No.
①	Q38-FC13G-1.5	201 041 320 0901
②	Q38-FC30G-2.5	201 032 320 1001



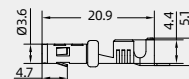
power



F(signal)



F(power)



Contact removal tool



Application	Designation	Order No.
Q38-13A Stamped contacts	Q38-TL01	198 001 000 0042
Q38-30A Stamped contacts	Q38-TL02	198 001 000 0043

Circular Connector Q38

250V 13A

Technical characteristics

Specifications			
Specifications	DIN EN 60 664 DIN EN 61 984		
Electrical data		Mechanical properties	
Number of contacts	48	-Mechanical working life	≥ 500
Electrical properties		-Lock mode	Quick connect card slot
-Rated current	13A (signal)	Environmental performance	
-Rated voltage	250V	-Working temperature	-55°C ...+105°C
-Rated impulse voltage	2000V	-Degree of Protection	IP67
Material and finish		-Pollution degree	3
-Hoods/Housings	The copper alloy plating nickel / PA		
-contact	Gold-plated copper alloy		
-Insulating material	PA		
-Sealing element	FKM, silica gel		

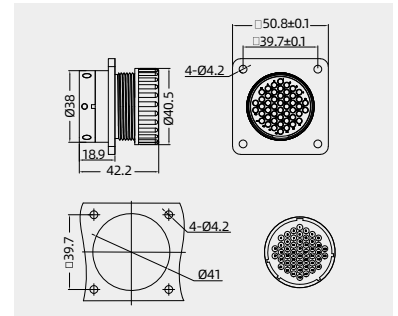
Remark: SPQ is 1pc

Male, Crimp terminal

Order crimp contacts separately



Contacts	Designation	Order No.
48	Q38-MC48-BK40-D29	174 048 310 3501

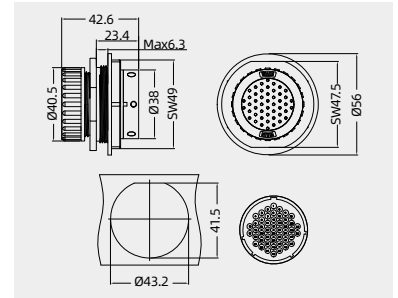


Male, Crimp terminal

Order crimp contacts separately



Contacts	Designation	Order No.
48	Q38-MC48-CCT/R-D29	174 048 310 3500



Accessories

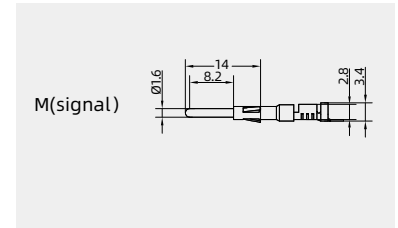
Remark: SPQ is 100pcs

Crimp contacts

signal



NO.	Male	Order No.
①	Q38-MC13G-1.5	201 041 310 0901



Contact removal tool



Application	Designation	Order No.
Q38-13A Stamped contacts	Q38-TL01	198 001 000 0042
Q38-30A Stamped contacts	Q38-TL02	198 001 000 0043

Circular Connector Q38

250V 13A

Technical characteristics

Specifications			
Specifications	DIN EN 60 664 DIN EN 61 984		
Electrical data		Mechanical properties	
Number of contacts	48	-Mechanical working life	≥ 500
Electrical properties		-Lock mode	Quick connect card slot
-Rated current	13A (signal)	Environmental performance	
-Rated voltage	250V	-Working temperature	-55°C ...+105°C
-Rated impulse voltage	2000V	-Degree of Protection	IP67
Material and finish		-Pollution degree	3
-Hoods/Housings	The copper alloy plating nickel / PA		
-contact	Gold-plated copper alloy		
-Insulating material	PA		
-Sealing element	FKM, silica gel		

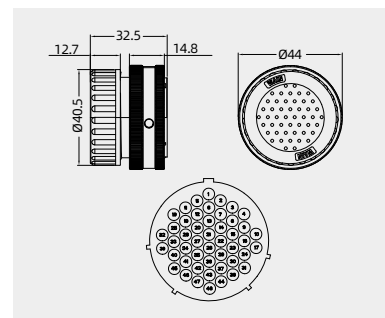
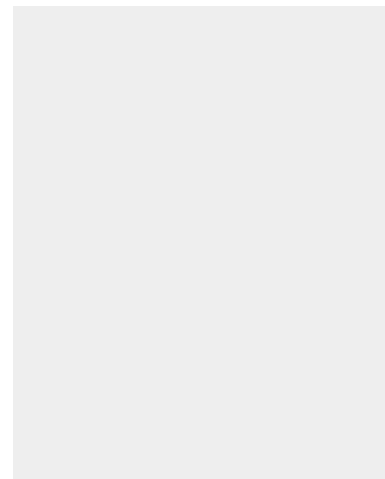
Remark: SPQ is 1pc

Female, Crimp terminal

Order crimp contacts separately



Contacts	Designation	Order No.
48	Q38-FC48-T-D29	174 048 420 3500



Accessories

Remark: SPQ is 100pcs

Crimp contacts

signal

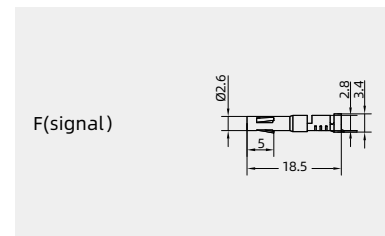


NO.	Female	Order No.
①	Q38-FC13G-1.5	201 041 320 0901

Contact removal tool



Application	Designation	Order No.
Q38-13A Stamped contacts	Q38-TL01	198 001 000 0042
Q38-30A Stamped contacts	Q38-TL02	198 001 000 0043

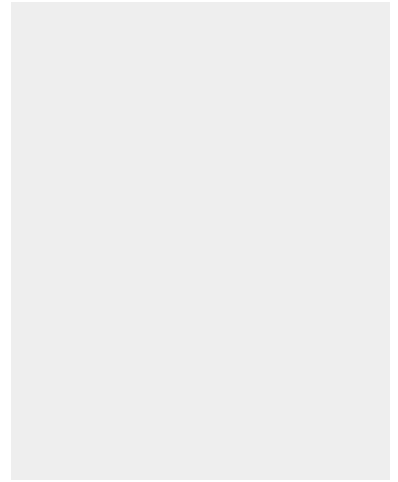


Q38 Circular connector

Cable Clamp



Technical characteristics	
Pollution degree	-55°C ~+105°C
Flammability acc. to UL 94	V0
Material of housing	10mm-26mm



Q38

Cable Clamp



Cable outlet	Designation	Order No.
10mm-26mm	Q38-42-HXJ	198 002 002 0058

