



HM

HQ SERIES

Compact connector



HQ-001 Compact inserts

Technical characteristics

Specifications	DIN EN 60 664 DIN EN 61 984
Approvals	
Inserts	
Number of contacts	1
Electrical data acc. to EN 61 984	
-Rated current	100A
-Rated voltage	400V
-Rated impulse voltage	6kV
-Pollution degree	3
Rated voltage acc. to UL	-
Insulation resistance	$\geq 10^{10}\Omega$
Material polycarbonate	polycarbonate
Limiting temperatures	-40°C ...+125°C
Flammability acc. to UL 94	V0
Mechanical working life(mating cycles)	≥ 500
Contacts	
Material	copper alloy
Surface	hard-silver plated
Contact resistance	$\leq 0.3m\Omega$
Axial screw termination	
- mm ²	10-25mm ²
Cable outer diameter	$\leq 13.4m$
Strip length	10mm
Tightening torque	mm ² : 10 16 25 N · m: 6 6 7
Hoods/Housings	
lastic hoods/housings	
-Material	polycarbonate
-Flammability acc. to UL 94	V0
-Degree of protection acc. to DIN EN 60 529 for coupled connector	IP65
Hoods/Housings, metal	
-Material	zinc die-cast
-Degree of protection acc. to DIN EN 60 529 for coupled connector	IP65/IP68

Current carrying capacity

The current carrying is limited by maximum temperature of materials for inserts and contacts including terminals

Control and test procedures according to DIN EN 60512-5

HQ-001 Compact inserts-high voltage

400V 100A 1+⊕



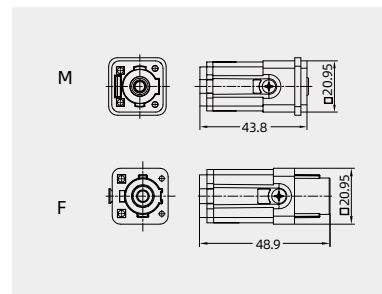
Hoods/Housings: size 3A, please find the details on page 15-06~15-16.1.
 Hoods only suitable: H3A-TE (Conventional internal thread) ;H3A.P-TE(Conventional internal thread); HP3A/H-TEH
 Housings only suitable: H3A-BK;H3A-SF;H3A-CCT;H3A.P-BK;H3A.P-SF;H3A.P-CCT;HP3A/H-BK;

Inserts

Axial screw termination¹⁾
 with heat shrink tube²⁾



Insert	Wire gauge	Designation	Order No.
Male	10-25mm ²	HQ-001.1-M (10-25mm ²)	130 001 011 0500
	10-25mm ²	HQ-001.1-F (10-25mm ²)	130 001 021 0500
Female	16-35mm ²	HQ-001.2-M (16-35mm ²)	130 001 011 0501
	16-35mm ²	HQ-001.2-F (16-35mm ²)	130 001 021 0501



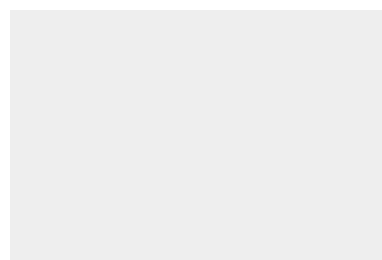
Accessories

Tool

Hex key



Description	Designation	Order No.
for axial setscrew with grip	SW-4*150	198 001 003 0007



HQ-002 Compact inserts



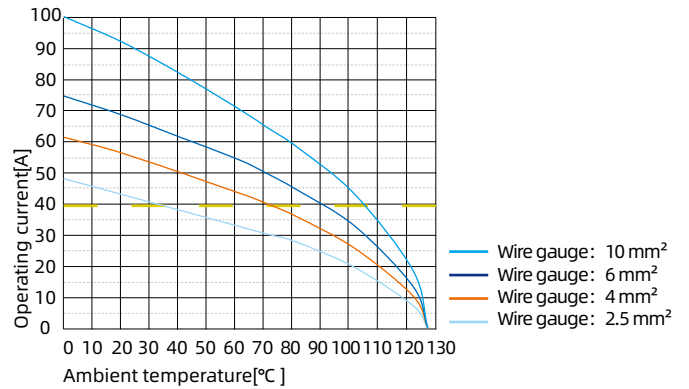
Technical characteristics

Specifications	DIN EN 60 664 DIN EN 61 984
Approvals	UL ENEC
Inserts	
Number of contacts	2+PE
Electrical data acc. to EN 61 984	
-Rated current	40A
-Rated voltage	830V
-Rated impulse voltage	6kV
-Pollution degree	3
Rated voltage acc. to UL	600V
Insulation resistance	$\geq 10^{10}\Omega$
Material polycarbonate	polycarbonate
Limiting temperatures	-40°C ...+125°C
Flammability acc. to UL 94	V0
Mechanical working life(mating cycles)	≥ 500
Contacts	
Material	copper alloy
Surface	hard-silver plated
Contact resistance	$\leq 1m\Omega$
Axial screw termination	
- mm ²	2.5-10mm ²
- AWG	14-8
Tightening torque	1.8Nm
Stripping length	8mm ⁺¹
Hoods/Housings	
lastic hoods/housings	
-Material	polycarbonate
-Flammability acc. to UL 94	V0
-Degree of protection acc. to DIN EN 60 529 for coupled connector	IP65
Hoods/Housings, metal	
-Material	zinc die-cast
-Degree of protection acc. to DIN EN 60 529 for coupled connector	IP65/IP68


Current carrying capacity

The current carrying is limited by maximum temperature of materials for inserts and contacts including terminals

Control and test procedures according to DIN EN 60512-5



HQ-002 Compact inserts-high voltage

830V 40A 2+ 



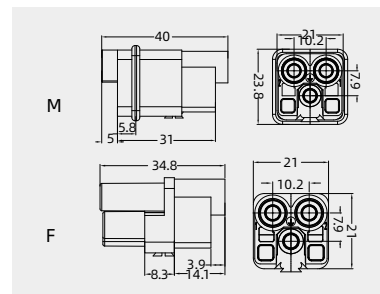
Inserts

Hoods/Housings: size 3A, please find the details on page 15-06~15-16.1.

Axial screw termination¹⁾
with heat shrink tube²⁾



Insert	Wire gauge	Designation	Order No.
Male	2.5-6.0mm ²	HQ-002.1-M (2.5-6.0mm ²)	130 002 011 0001
	4-10mm ²	HQ-002.2-M (4-10mm ²)	130 002 011 0002
Female	2.5-6.0mm ²	HQ-002.1-F (2.5-6.0mm ²)	130 002 021 0001
	4-10mm ²	HQ-002.2-F (4-10mm ²)	130 002 021 0002



Accessories

Tool

Hex key SW2

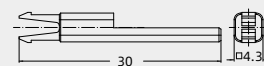


Description	Designation	Order No.
for axial setscrew with grip	SW-2*100	198 001 003 0002

Coding element



Description	Designation	Order No.
coding, pokayoke	CODE-Q2	198 002 005 0011



1) See P00-12-00-13 for the structural characteristics and description of Axial screw terminal.

2) Compared with HQV-002, HQ-002 has pressure-tight heat shrink tubing so that insulation performance has been increased and rated voltage has been enhanced.

HQV-002 Compact inserts



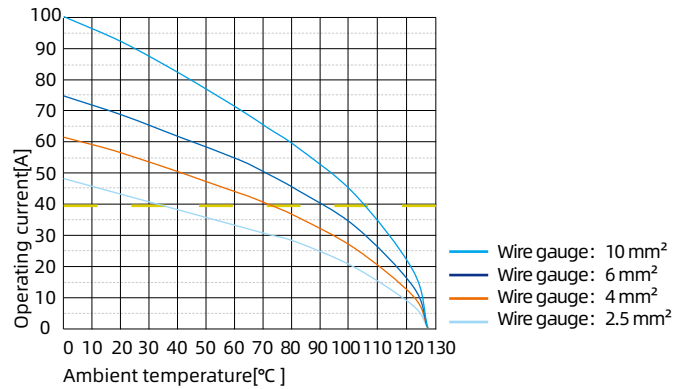
Technical characteristics

Specifications	DIN EN 60 664 DIN EN 61 984
Approvals	ENEC
Inserts	
Number of contacts	2+PE
Electrical data acc. to EN 61 984	
-Rated current	40A
-Rated voltage	400V
-Rated impulse voltage	6kV
-Pollution degree	3
Rated voltage acc. to UL	400V
Insulation resistance	$\geq 10^{10}\Omega$
Material	polycarbonate
Limiting temperatures	-40°C ...+125°C
Flammability acc. to UL 94	V0
Mechanical working life(mating cycles)	≥ 500
Contacts	
Material	copper alloy
Surface	hard-silver plated
Contact resistance	$\leq 1m\Omega$
Axial screw termination	
- mm ²	2.5-10mm ²
- AWG	14-8
Tightening torque	1.8Nm
Stripping length	8mm ⁻¹
Hoods/Housings	
Plastic hoods/housings	
-Material	polycarbonate
-Flammability acc. to UL 94	V0
-Degree of protection acc. to DIN EN 60 529 for coupled connector	IP65
Hoods/Housings, metal	
-Material	zinc die-cast
-Degree of protection acc. to DIN EN 60 529 for coupled connector	IP65/IP68

Current carrying capacity

The current carrying is limited by maximum temperature of materials for inserts and contacts including terminals

Control and test procedures according to DIN EN 60512-5



HQV-002 Compact inserts

400V 40A 2+ ⊕



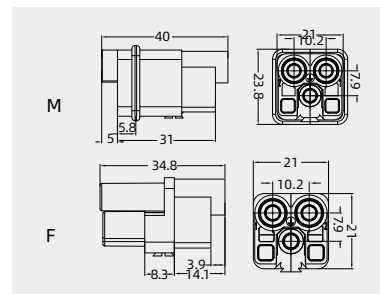
Inserts

Hoods/Housings: size 3A, please find the details on page 15-06~15-16.1.

Axial screw termination¹⁾



Insert	Wire gauge	Designation	Order No.
Male	2.5-6.0mm ²	HQV-002.1-M (2.5-6.0mm ²)	130 002 011 0101
	4-10mm ²	HQV-002.2-M (4-10mm ²)	130 002 011 0102
Female	2.5-6.0mm ²	HQV-002.1-F (2.5-6.0mm ²)	130 002 021 0101
	4-10mm ²	HQV-002.2-F (4-10mm ²)	130 002 021 0102



Accessories

Tool

Hex key SW2

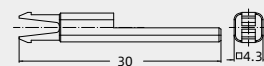


Description	Designation	Order No.
for axial setscrew with grip	SW-2*100	198 001 003 0002

Coding element



Description	Designation	Order No.
coding, pokayoke	CODE-Q2	198 002 005 0011



1) See P00-12-00-13 for the structural characteristics and description of Axial screw terminal.

HQ-003/0 Compact inserts

Technical characteristics

Specifications	DIN EN 60 664 DIN EN 61 984
Approvals	
Inserts	
Number of contacts	3+PE
Electrical data acc. to EN 61 984	
-Rated current	40A
-Rated voltage	400V
-Rated impulse voltage	6kV
-Pollution degree	3
Rated voltage acc. to UL/CSA	600V
Insulation resistance	$\geq 10^{10}\Omega$
Material	polycarbonate
Colour	RAL 7032 (light grey)
Limiting temperatures	-40°C ...+125°C
Flammability acc. to UL 94	V0
Mechanical working life(mating cycles)	≥ 500
Contacts	
Terminal:	crimp terminal
Material	copper alloy
Surface	hard-silver plated
	hard-gold plated
Contact resistance	$\leq 1m\Omega$
Wire gauge	
-mm ²	1.5-10mm ²
-AWG	16-8

HQ-003/0 Compact inserts

400V 40A 3+ ⊕

Inserts

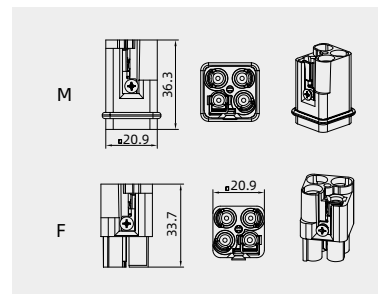
Hoods/Housings: size3A, please find the details on page 15-06~15-16.1.

Crimp terminal

order crimp contacts separately



Insert	Designation	Order No.
Male	HQ-003/0-MC	130 003 010 0002
Female	HQ-003/0-FC	130 003 020 0002



Accessories

Crimp contacts 40A

Contact resistance ≤ 1mΩ

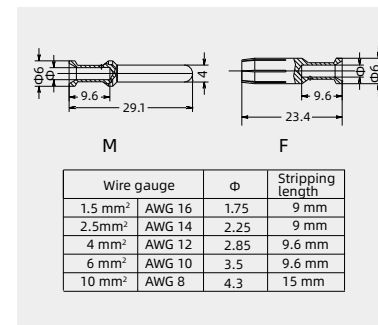
silver plated



gold plated



Male	Order No.	Female	Order No.
CCSM-1.5	101 023 110 0901	CCSF-1.5	101 023 120 0901
CCSM-2.5	101 023 110 1001	CCSF-2.5	101 023 120 1001
CCSM-4.0	101 023 110 1201	CCSF-4.0	101 023 120 1201
CCSM-6.0	101 023 110 1301	CCSF-6.0	101 023 120 1301
CCSM-10.0	101 023 110 1401	CCSF-10.0	101 023 120 1401
CCGM-1.5	101 023 210 0901	CCGF-1.5	101 023 220 0901
CCGM-2.5	101 023 210 1001	CCGF-2.5	101 023 220 1001
CCGM-4.0	101 023 210 1201	CCGF-4.0	101 023 220 1201
CCGM-6.0	101 023 210 1301	CCGF-6.0	101 023 220 1301
CCGM-10.0	101 023 210 1401	CCGF-10.0	101 023 220 1401



Tools

Crimping tool



Contact removal tool



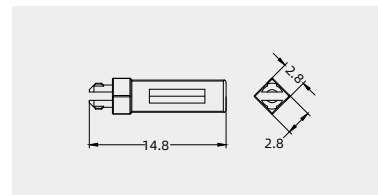
Wire gauge	Designation	Order No.
1.5-6mm ²	TL02-0G	198 001 001 0012
4/6/10mm ²	TL02-3G	198 001 001 0013

Application	Designation	Order No.
for crimp contacts 40A	TL06G	198 001 000 0009

Coding element



Description	Designation	Order No.
coding, pokayoke	CODE-Q3	198 002 005 0034



1) See P00-12-00-13 for the structural characteristics and description of Axial screw terminal.

HQ-005/0 Compact inserts



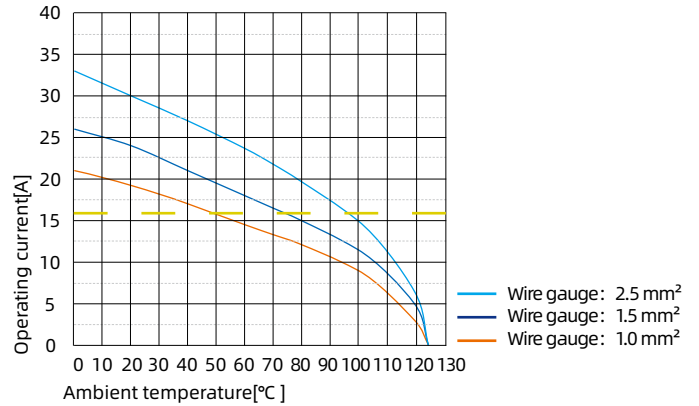
Technical characteristics

Specifications	DIN EN 60 664 DIN EN 61 984
Approvals	
Inserts	
Number of contacts	5+PE
Electrical data acc. to EN 61 984	
-Rated current	16A
-Rated voltage conductor - ground	230V
-Rated voltage conductor - conductor	400V
-Rated impulse voltage	4kV
-Pollution degree	3
-Pollution degree 2 also	16A 320/500V 4kV 2
Rated voltage acc. to UL	600V
Insulation resistance	$\geq 10^{10}\Omega$
Material	polycarbonate
Limiting temperatures	-40°C ...+125°C
Flammability acc. to UL 94	V0
Mechanical working life(mating cycles)	≥ 500
Contacts	
Material	copper alloy
Surface	hard-silver plated hard-gold plated
Contact resistance	$\leq 1m\Omega$
Crimp terminal	
- mm ²	0.14-4.0mm ²
- AWG	26-14
PE screw terminal	
-mm ²	2.5mm ²
-AWG	14
Hoods/Housings	
Plastic hoods/housings	
-Material	polycarbonate
-Flammability acc. to UL 94	V0
-Degree of protection acc. to DIN EN 60 529 for coupled connector	IP65
Hoods/Housings, metal	
-Material	zinc die-cast
-Degree of protection acc. to DIN EN 60 529 for coupled connector	IP65/IP68

Current carrying capacity

The current carrying is limited by maximum temperature of materials for inserts and contacts including terminals

Control and test procedures according to DIN EN 60512-5



HQ-005/0 Compact inserts

230/400V 16A 5+ ⊕



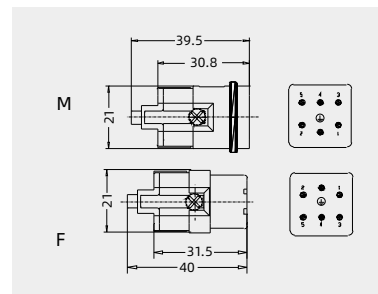
Inserts

Hoods/Housings: size 3A, please find the details on page 15-06~15-16.1.

Crimp terminal
order crimp contacts separately



Insert	Designation	Order No.
Male	HQ-005/0-MC	130 005 010 0001
Female	HQ-005/0-FC	130 005 020 0001



Crimp contacts

Crimp contacts 16A Contact
resistance ≤ 1mΩ

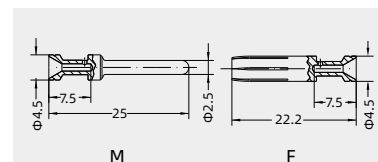
silver plated



gold plated



Male	Order No.	Female	Order No.
CESM-0.37	101 019 110 0301	CESF-0.37	101 019 120 0301
CESM-0.50	101 019 110 0401	CESF-0.50	101 019 120 0401
CESM-0.75	101 019 110 0601	CESF-0.75	101 019 120 0601
CESM-1.0	101 019 110 0801	CESF-1.0	101 019 120 0801
CESM-1.5	101 019 110 0901	CESF-1.5	101 019 120 0901
CESM-2.5	101 019 110 1001	CESF-2.5	101 019 120 1001
CESM-3.0	101 019 110 1101	CESF-3.0	101 019 120 1101
CESM-4.0	101 019 110 1201	CESF-4.0	101 019 120 1201
CEGM-0.37	101 019 210 0301	CEGF-0.37	101 019 220 0301
CEGM-0.50	101 019 210 0401	CEGF-0.50	101 019 220 0401
CEGM-0.75	101 019 210 0601	CEGF-0.75	101 019 220 0601
CEGM-1.0	101 019 210 0801	CEGF-1.0	101 019 220 0801
CEGM-1.5	101 019 210 0901	CEGF-1.5	101 019 220 0901
CEGM-2.5	101 019 210 1001	CEGF-2.5	101 019 220 1001
CEGM-3.0	101 019 210 1101	CEGF-3.0	101 019 220 1101
CEGM-4.0	101 019 210 1201	CEGF-4.0	101 019 220 1201



Identification	Wire gauge	Stripping length
no groove	0.14-0.37 mm ² AWG 26-22	7.5mm
no groove	0.5 mm ² AWG 20	7.5mm
1 groove	0.75 mm ² AWG 18	7.5mm
1 groove	1 mm ² AWG 18	7.5mm
2 groove	1.5 mm ² AWG 16	7.5mm
3 groove	2.5 mm ² AWG 14	7.5mm
wide groove	3 mm ² AWG 12	7.5mm
no groove	4 mm ² AWG 12	7.5mm

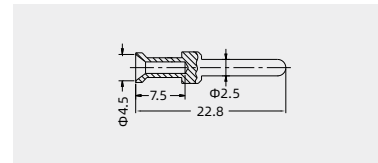
When the wire gauge is less than 0.75mm², it's better to use the auxiliary pin assembly tool TL15.

Relay contacts

silver plated



Wire gauge (mm ²)	Designation	Order No.
1	CESM-1.0R	101 019 110 0808
1.5	CESM-1.5R	101 019 110 0908
2.5	CESM-2.5R	101 019 110 1008



Tools

Crimping tool



Contact removal tool



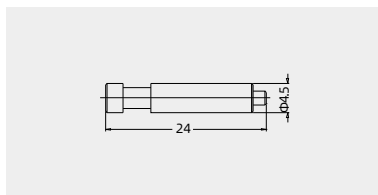
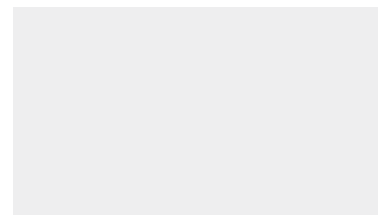
Wire gauge	Designation	Order No.
0.14-4mm ²	TL02G	198 001 001 0011
Wire gauge: 0.14-0.37mm ² please select TL02 Crimping tool.		
Application		
for crimp contacts 16A	TL01	198 001 000 0002

More tools detail please find the page 32-02~32-05.

Coding element



Description	Designation	Order No.
coding, pokayoke	CODE-E	198 002 005 0002



Notes: The tools for crimp terminal may influence the product quality and stability. Please select the tools recognized by our company.

HQ-005/0 Quick-in



Technical characteristics

Specifications	DIN EN 60 664 DIN EN 61 984
Approvals	
Inserts	
Number of contacts	5+PE
Electrical data acc. to EN 61 984	
-Rated current	16A
-Rated voltage	230V/400V
-Rated impulse voltage	4kV
-Pollution degree	3
Insulation resistance	$\geq 10^{10}\Omega$
Material	polycarbonate
Colour	RAL 7032 (light grey)
Limiting temperatures	-40°C ...+125°C
Flammability acc. to UL 94	V0
Mechanical working life(mating cycles)	≥ 500
Contacts	
Terminal:	Spring terminal(Quick-in)
Material	copper alloy
Surface	hard-silver plated
Contact resistance	$\leq 3m\Omega$
Wire gauge	0.5-4.0mm ² / 20-12AWG
Wire gauge(For wires with crimped ferrule)	0.14-2.5mm ² / 26-14AWG
Stripping length	10±0.5mm

HQ-005/0 Quick-in

230/400V 16A 5+ 

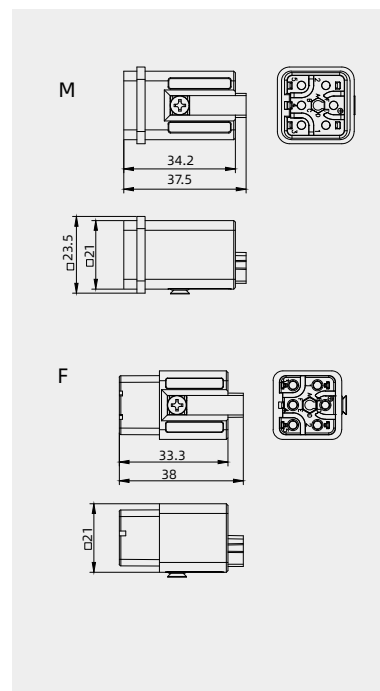
Inserts

Hoods/Housings: size 3A, please find the details on page 15-06~15-16.1.

Spring terminal(Quick-in)



Insert	Designation	Order No.
Male	HQ-005/0-MQ	130 005 001 0001
Female	HQ-005/0-FQ	130 005 002 0001

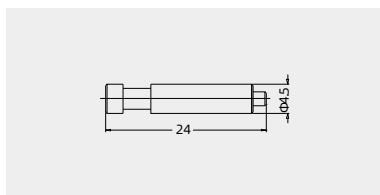


Coding element

Coding element



Description	Designation	Order No.
coding, pokayoke	CODE-E	198 002 005 0002



HQ-007 Compact inserts



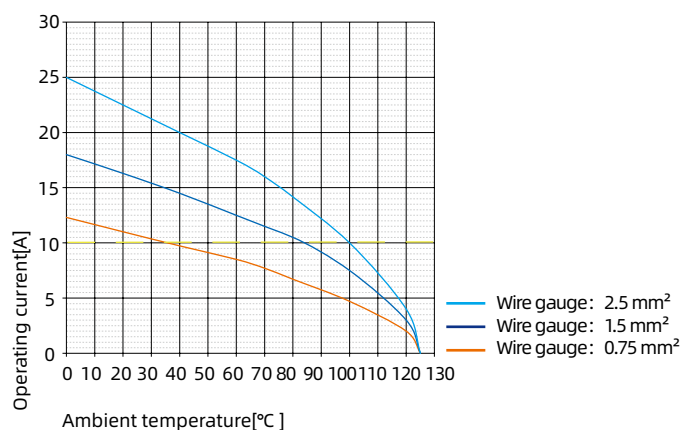
Technical characteristics

Specifications	DIN EN 60 664 DIN EN 61 984
Approvals	
Inserts	
Number of contacts	7+PE
Electrical data acc. to EN 61 984	
-Rated current	10A
-Rated voltage	400V
-Rated impulse voltage	6kV
-Pollution degree	3
-Pollution degree 2 also	10A 400/690V 6kV 2
Rated voltage acc. to UL	600V
Insulation resistance	$\geq 10^{10}\Omega$
Material	polycarbonate
Limiting temperatures	-40°C ... +125°C
Flammability acc. to UL 94	V0
Mechanical working life(mating cycles)	≥ 500
Contacts	
Material	copper alloy
Surface	hard-silver plated
	hard-gold plated
Contact resistance	$\leq 3m\Omega$
Crimp terminal	
- mm ²	0.14-2.5mm ²
- AWG 26 ... 14	26-14
PE screw terminal	
-mm ²	2.5mm ²
-AWG	14
Hoods/Housings	
Plastic hoods/housings	
-Material	polycarbonate
-Flammability acc. to UL 94	V0
-Degree of protection acc. to DIN EN 60 529 for coupled connector	IP65
Hoods/Housings, metal	
-Material	zinc die-cast
-Degree of protection acc. to DIN EN 60 529 for coupled connector	IP65/IP68

Current carrying capacity

The current carrying is limited by maximum temperature of materials for inserts and contacts including terminals

Control and test procedures according to DIN EN 60512-5



HQ-007 Compact inserts

400V 10A 7+ ⊕



Inserts

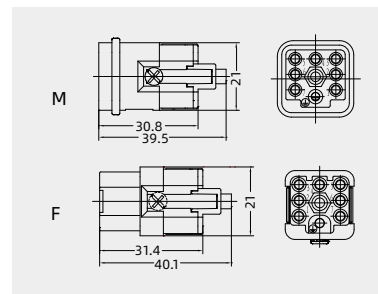
Hoods/Housings: size 3A, please find the details on page 15-06~15-16.1.

Crimp terminal
order crimp contacts separately



Insert	Designation	Order No.
Male	HQ-007/0-MC ¹⁾	130 007 010 0001
Female	HQ-007/0-FC ¹⁾	130 007 020 0001

1).can match PCB adapter,see page 14-08~14-09.



Accessories

Crimp contacts 10A

Contact resistance ≤ 3mΩ

silver plated



gold plated



Male	Order No.	Female	Order No.
CDSM-0.25	101 017 110 0101	CDSF-0.25	101 017 120 0101
CDSM-0.37	101 017 110 0301	CDSF-0.37	101 017 120 0301
CDSM-0.50	101 017 110 0401	CDSF-0.50	101 017 120 0401
CDSM-0.75	101 017 110 0601	CDSF-0.75	101 017 120 0601
CDSM-1.0	101 017 110 0801	CDSF-1.0	101 017 120 0801
CDSM-1.5	101 017 110 0901	CDSF-1.5	101 017 120 0901
CDSM-2.5	101 017 110 1001	CDSF-2.5	101 017 120 1001

	Order No.		Order No.
CDGM-0.25	101 017 210 0101	CDGF-0.25	101 017 220 0101
CDGM-0.37	101 017 210 0301	CDGF-0.37	101 017 220 0301
CDGM-0.50	101 017 210 0401	CDGF-0.50	101 017 220 0401
CDGM-0.75	101 017 210 0601	CDGF-0.75	101 017 220 0601
CDGM-1.0	101 017 210 0801	CDGF-1.0	101 017 220 0801
CDGM-1.5	101 017 210 0901	CDGF-1.5	101 017 220 0901
CDGM-2.5	101 017 210 1001	CDGF-2.5	101 017 220 1001

More crimp contacts 10A
see P13-02,P13-03.

Tools



Wire gauge	Designation	Order No.
0.14-4mm ²	TL02G	198 001 001 0011

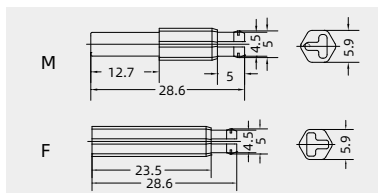
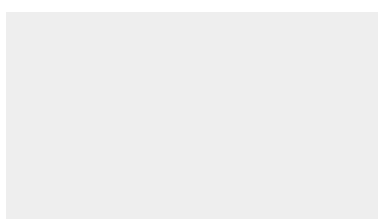
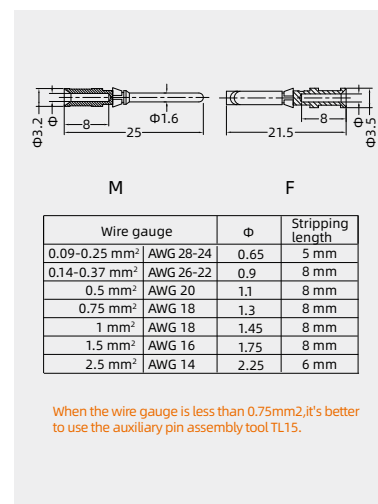
Application	Designation	Order No.
for crimp contacts 10A	TL00	198 001 000 0001

More tools detail please find the page32-02~32-05.

Coding element



Description	Category	Designation	Order No.
coding,pokayoke	Male	CODE-Q7M	198 002 005 0007
	Female	CODE-Q7F	198 002 005 0008



Notes: The tools for crimp terminal may influence the product quality and stability. Please select the tools recognized by our company.

HQ-012/0 Compact inserts



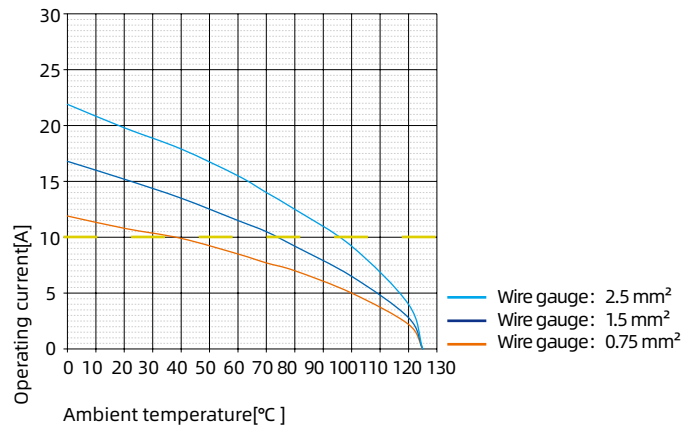
Technical characteristics

Specifications	DIN EN 60 664 DIN EN 61 984
Approvals	UL CE ERC
Inserts	
Number of contacts	12+PE
Electrical data acc. to EN 61 984	
-Rated current	10A
-Rated voltage	400V
-Rated impulse voltage	6kV
-Pollution degree	3
-Pollution degree 2 also	10A 400/690V 6kV 2
Rated voltage acc. to UL	600V
Insulation resistance	$\geq 10^{10}\Omega$
Material	polycarbonate
Limiting temperatures	-40°C ...+125°C
Flammability acc. to UL 94	V0
Mechanical working life(mating cycles)	≥ 500
Contacts	
Material	copper alloy
Surface	hard-silver plated
	hard-gold plated
Contact resistance	$\leq 3m\Omega$
Crimp terminal	
-mm ²	0.14-2.5mm ²
-AWG	26-14
PE contact	
-mm ²	0.5-2.5mm ²
-AWG	20-14
Hoods/Housings	
Plastic hoods/housings	
-Material	polycarbonate
-Flammability acc. to UL 94	V0
-Degree of protection acc. to DIN EN 60 529 for coupled connector	IP65
Hoods/Housings, metal	
-Material	zinc die-cast
-Degree of protection acc. to DIN EN 60 529 for coupled connector	IP65/IP68

Current carrying capacity

The current carrying is limited by maximum temperature of materials for inserts and contacts including terminals

Control and test procedures according to DIN EN 60512-5



HQ-012/0 Compact inserts

400V 10A 12+ 



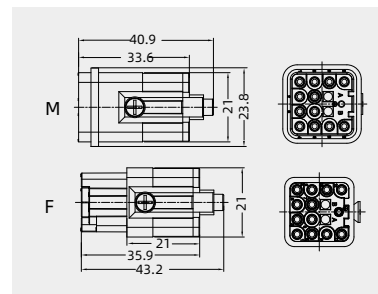
Inserts

Hoods/Housings: size 3A, please find the details on page 15-06~15-16.1.

Crimp terminal
order crimp contacts separately



Insert	Designation	Order No.
Male	HQ-012/0-MC	130 012 010 0001
Female	HQ-012/0-FC	130 012 020 0001



Accessories

Crimp contacts 10A

Contact resistance $\leq 3m\Omega$

silver plated



Male	Order No.	Female	Order No.
CDSM-0.25	101 017 110 0101	CDSF-0.25	101 017 120 0101
CDSM-0.37	101 017 110 0301	CDSF-0.37	101 017 120 0301
CDSM-0.50	101 017 110 0401	CDSF-0.50	101 017 120 0401
CDSM-0.75	101 017 110 0601	CDSF-0.75	101 017 120 0601
CDSM-1.0	101 017 110 0801	CDSF-1.0	101 017 120 0801
CDSM-1.5	101 017 110 0901	CDSF-1.5	101 017 120 0901
CDSM-2.5	101 017 110 1001	CDSF-2.5	101 017 120 1001

gold plated



Male	Order No.	Female	Order No.
CDGM-0.25	101 017 210 0101	CDGF-0.25	101 017 220 0101
CDGM-0.37	101 017 210 0301	CDGF-0.37	101 017 220 0301
CDGM-0.50	101 017 210 0401	CDGF-0.50	101 017 220 0401
CDGM-0.75	101 017 210 0601	CDGF-0.75	101 017 220 0601
CDGM-1.0	101 017 210 0801	CDGF-1.0	101 017 220 0801
CDGM-1.5	101 017 210 0901	CDGF-1.5	101 017 220 0901
CDGM-2.5	101 017 210 1001	CDGF-2.5	101 017 220 1001

More crimp contacts 10A
see P13-02,P13-03.

Tools



Wire gauge	Designation	Order No.
0.14-4mm ²	TL02G	198 001 001 0011

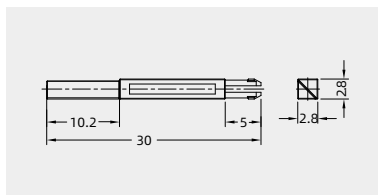
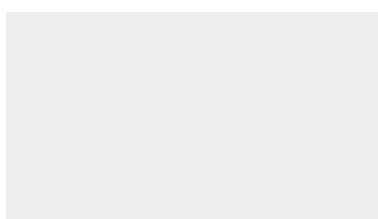
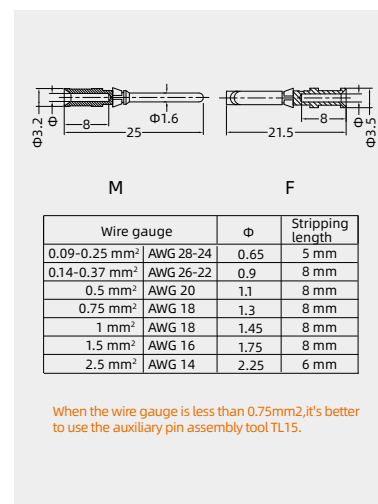
Application	Designation	Order No.
for crimp contacts 10A	TL00	198 001 000 0001

More tools detail please find the page32-02~32-05.

Coding element



Description	Designation	Order No.
coding,pokayoke	CODE-Q12	198 002 005 0010



Notes: The tools for crimp terminal may influence the product quality and stability. Please select the tools recognized by our company.

HQ-008/0 Compact inserts



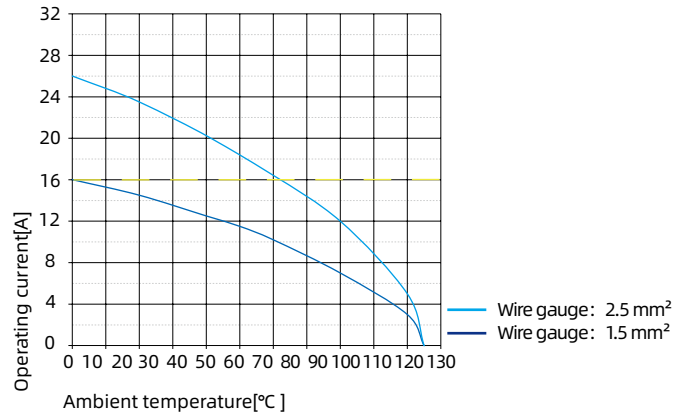
Technical characteristics

Specifications	DIN EN 60 664 DIN EN 61 984
Approvals	
Inserts	
Number of contacts	8+PE
Electrical data acc. to EN 61 984	
-Rated current	16A
-Rated voltage	500V
-Rated impulse voltage	6kV
-Pollution degree	3
-Pollution degree 2 also	10A 400/690V 6kV 2
-Mounted metal hood	10A 230/400V 4kV 3
Rated voltage acc. to UL	600V
Insulation resistance	$\geq 10^{10}\Omega$
Material	polycarbonate
Limiting temperatures	-40°C ...+125°C
Flammability acc. to UL 94	V0
Mechanical working life(mating cycles)	≥ 500
Contacts	
Material	copper alloy
Surface	hard-silver plated hard-gold plated
Contact resistance	$\leq 1m\Omega$
Crimp terminal	
-mm ²	0.14-4mm ² partly loaded up to 4 mm ² is possible
-AWG	26-12
Hoods/Housings	
Plastic hoods/housings	
Material	thermoplastic
-Locking element	Polyamide
-Hoods/Housings seal	NBR
-Limiting temperatures	-40°C ...+125°C
-Flammability acc. to UL 94	V0
-Degree of protection acc. to DIN EN 60 529 for coupled connector	IP65
Hoods/Housings, metal	
-Material	metal
-Locking element	Stainless steel
-Hoods/Housings seal	NBR
-Limiting temperatures	-40°C ...+125°C
-Degree of protection acc. to DIN EN 60 529 for coupled connector	IP65

Current carrying capacity

The current carrying is limited by maximum temperature of materials for inserts and contacts including terminals

Control and test procedures according to DIN EN 60512-5



HQ-008/0 Compact inserts

500V 16A 8+



Inserts

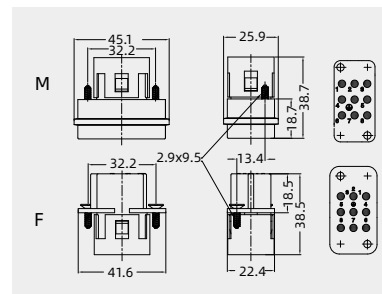
Hoods/Housings: size HC, please find the details on page 15-163~15-168.

Crimp terminal
order crimp contacts separately



Insert	Designation	Order No.
Male	HQ-008/0-MC ¹⁾	130 008 010 0001
Female	HQ-008/0-FC ¹⁾	130 008 020 0001

1).can match PCB adapter,see page 14-10~14-11.



Crimp contacts

Crimp contacts 16A Contact
resistance ≤ 1mΩ

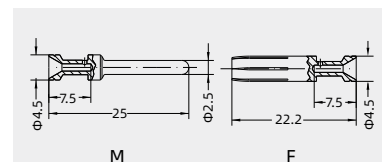
silver plated



gold plated



Male	Order No.	Female	Order No.
CESM-0.37	101 019 110 0301	CESF-0.37	101 019 120 0301
CESM-0.50	101 019 110 0401	CESF-0.50	101 019 120 0401
CESM-0.75	101 019 110 0601	CESF-0.75	101 019 120 0601
CESM-1.0	101 019 110 0801	CESF-1.0	101 019 120 0801
CESM-1.5	101 019 110 0901	CESF-1.5	101 019 120 0901
CESM-2.5	101 019 110 1001	CESF-2.5	101 019 120 1001
CESM-3.0	101 019 110 1101	CESF-3.0	101 019 120 1101
CESM-4.0	101 019 110 1201	CESF-4.0	101 019 120 1201
CEGM-0.37	101 019 210 0301	CEGF-0.37	101 019 220 0301
CEGM-0.50	101 019 210 0401	CEGF-0.50	101 019 220 0401
CEGM-0.75	101 019 210 0601	CEGF-0.75	101 019 220 0601
CEGM-1.0	101 019 210 0801	CEGF-1.0	101 019 220 0801
CEGM-1.5	101 019 210 0901	CEGF-1.5	101 019 220 0901
CEGM-2.5	101 019 210 1001	CEGF-2.5	101 019 220 1001
CEGM-3.0	101 019 210 1101	CEGF-3.0	101 019 220 1101
CEGM-4.0	101 019 210 1201	CEGF-4.0	101 019 220 1201



Identification	Wire gauge	Stripping length
no groove	0.14-0.37 mm ² AWG 26-22	7.5mm
no groove	0.5 mm ² AWG 20	7.5mm
1 groove	0.75 mm ² AWG 18	7.5mm
1 groove	1 mm ² AWG 18	7.5mm
2 groove	1.5 mm ² AWG 16	7.5mm
3 groove	2.5 mm ² AWG 14	7.5mm
wide groove	3 mm ² AWG 12	7.5mm
no groove	4 mm ² AWG 12	7.5mm

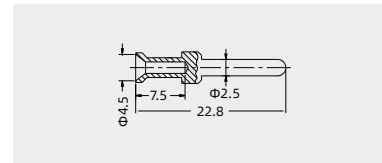
When the wire gauge is less than 0.75mm²,it's better to use the auxiliary pin assembly tool TL15.

Relay contacts

silver plated



Wire gauge (mm ²)	Designation	Order No.
1	CESM-1.0R	101 019 110 0808
1.5	CESM-1.5R	101 019 110 0908
2.5	CESM-2.5R	101 019 110 1008



Tools

Crimping tool



Contact removal tool



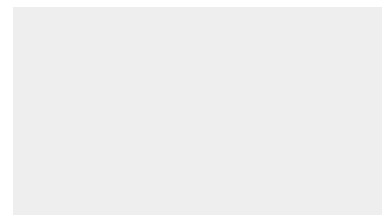
Wire gauge	Designation	Order No.
0.14-4mm ²	TL02G	198 001 001 0011
Wire gauge: 0.14-0.37mm ² please select TL02 Crimping tool.		
Application for crimp contacts16A	TL01	198 001 000 0002

More tools detail please find the page32-02~32-05.

Coding element



Description	Designation	Order No.
coding, pokayoke	CODE-E	198 002 005 0002



Notes: The tools for crimp terminal may influence the product quality and stability. Please select the tools recognized by our company.

HQ-017 Compact inserts



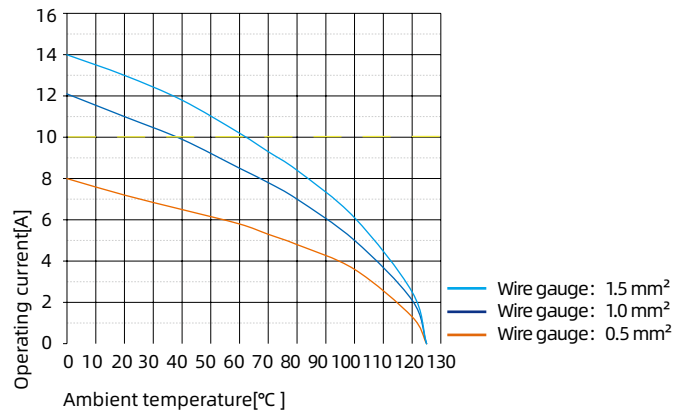
Technical characteristics

Specifications	DIN EN 60 664 DIN EN 61 984
Approvals	UL CE ERC CCC
Inserts	
Number of contacts	17+PE
Electrical data acc. to EN 61 984	
-Rated current	10A
-Rated voltage	250V
-Rated impulse voltage	4kV
-Pollution degree	2
Rated voltage acc. to UL	250V
Insulation resistance	$\geq 10^{10}\Omega$
Material	polycarbonate
Limiting temperatures	-40°C ...+125°C
Flammability acc. to UL 94	V0
Mechanical working life(mating cycles) cycles	≥ 500
Contacts	
Material	copper alloy
Surface	hard-silver plated hard-gold plated
Contact resistance	$\leq 3m\Omega$
Crimp terminal	
-mm ²	0.14-2.5mm ²
-AWG	26-14
Hoods/Housings	
Plastic hoods/housings	
-Material	thermoplastic
-Locking element	polyamide
-Hoods/Housings seal	NBR
-Limiting temperatures	-40°C ...+125°C
-Flammability acc. to UL 94	V0
-Degree of protection acc. to DIN EN 60 529 for coupled connector	IP65
Hoods/Housings, metal	
-Material	metal
-Locking element	stainless steel
-Hoods/Housings seal	NBR
-Limiting temperatures	-40°C ...+125°C
-Degree of protection acc. to DIN EN 60 529 for coupled connector	IP65


Current carrying capacity

The current carrying is limited by maximum temperature of materials for inserts and contacts including terminals

Control and test procedures according to DIN EN 60512-5



HQ-017 Compact inserts

250V 10A 17+ 



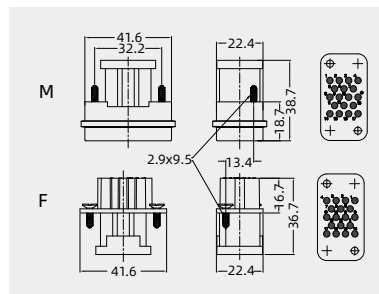
Inserts

Hoods/Housings: size HC, please find the details on page 15-163~15-168.

Crimp terminal
order crimp contacts separately



Insert	Designation	Order No.
Male	HQ-017-MC	130 017 010 0001
Female	HQ-017-FC	130 017 020 0001



Accessories

Crimp contacts 10A

Contact resistance $\leq 3m\Omega$

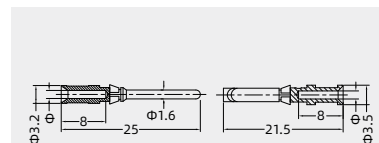
silver plated



gold plated



Male	Order No.	Female	Order No.
CDSM-0.25	101 017 110 0101	CDSF-0.25	101 017 120 0101
CDSM-0.37	101 017 110 0301	CDSF-0.37	101 017 120 0301
CDSM-0.50	101 017 110 0401	CDSF-0.50	101 017 120 0401
CDSM-0.75	101 017 110 0601	CDSF-0.75	101 017 120 0601
CDSM-1.0	101 017 110 0801	CDSF-1.0	101 017 120 0801
CDSM-1.5	101 017 110 0901	CDSF-1.5	101 017 120 0901
CDSM-2.5	101 017 110 1001	CDSF-2.5	101 017 120 1001



Male	Order No.	Female	Order No.
CDGM-0.25	101 017 210 0101	CDGF-0.25	101 017 220 0101
CDGM-0.37	101 017 210 0301	CDGF-0.37	101 017 220 0301
CDGM-0.50	101 017 210 0401	CDGF-0.50	101 017 220 0401
CDGM-0.75	101 017 210 0601	CDGF-0.75	101 017 220 0601
CDGM-1.0	101 017 210 0801	CDGF-1.0	101 017 220 0801
CDGM-1.5	101 017 210 0901	CDGF-1.5	101 017 220 0901
CDGM-2.5	101 017 210 1001	CDGF-2.5	101 017 220 1001

Wire gauge	ϕ	Stripping length
0.09-0.25 mm ² AWG 28-24	0.65	5 mm
0.14-0.37 mm ² AWG 26-22	0.9	8 mm
0.5 mm ² AWG 20	1.1	8 mm
0.75 mm ² AWG 18	1.3	8 mm
1 mm ² AWG 18	1.45	8 mm
1.5 mm ² AWG 16	1.75	8 mm
2.5 mm ² AWG 14	2.25	6 mm

When the wire gauge is less than 0.75mm², it's better to use the auxiliary pin assembly tool TL15.

More crimp contacts 10A
see P13-02,P13-03.

Tools



Wire gauge	Designation	Order No.
0.14-4mm ²	TL02G	198 001 001 0011

Application	Designation	Order No.
for crimp contacts 10A	TL00	198 001 000 0001

More tools detail please find the page32-02~32-05.

Notes: The tools for crimp terminal may influence the product quality and stability. Please select the tools recognized by our company.

HQ-004/2 Compact inserts



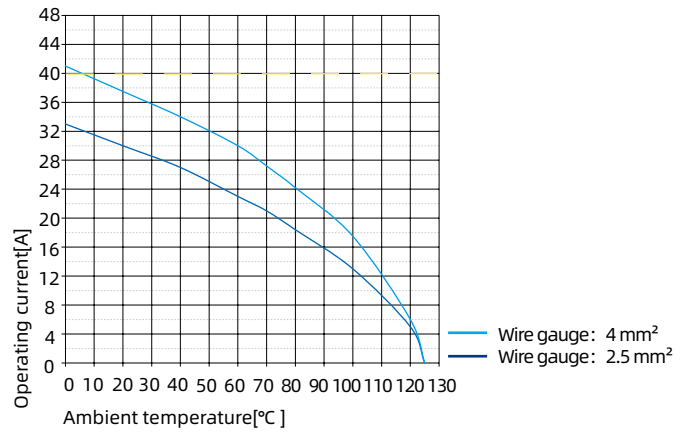
Technical characteristics

Specifications	DIN EN 60 664 DIN EN 61 984
Approvals	CE ENEC
Inserts	
Number of contacts	4/2+PE
Electrical data acc. to EN 61 984	
Power side	
-Rated current	40A
-Rated voltage conductor - ground	400V
-Rated voltage conductor - conductor	690V
-Rated impulse voltage	6kV
-Pollution degree	3
Signal side	
-Rated current	10A
-Rated voltage	250V
-Rated impulse voltage	4kV
-Pollution degree	3
Rated voltage acc. to UL	600/250V
Insulation resistance	$\geq 10^{10}\Omega$
Material	polycarbonate
Limiting temperatures	-40°C ...+125°C
Flammability acc. to UL 94	V0
Mechanical working life(mating cycles)	≥ 500
Contacts	
Material	copper alloy
Surface	hard-silver plated hard-gold plated
Contact resistance	$\leq 1m\Omega$
Crimp terminal	
- mm ²	1.5-6mm ² / 0.14-2.5mm ²
- AWG	16-10 / 26-14
Max. insulation diameter	
- Power contacts	5mm
Hoods/Housings	
Plastic hoods/housings	
Material	thermoplastic
-Locking element	polyamide
-Hoods/Housings seal	NBR
-Limiting temperatures	-40°C ...+125°C
-Flammability acc. to UL 94	V0
-Degree of protection acc. to DIN EN 60 529 for coupled connector	IP65


Current carrying capacity

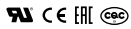
The current carrying is limited by maximum temperature of materials for inserts and contacts including terminals

Control and test procedures according to DIN EN 60512-5



HQ-004/2 Compact inserts

400/690V 40/10A 4/2+ 



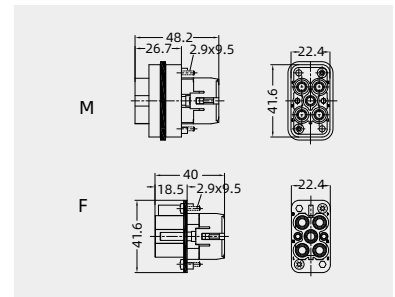
Hoods/Housings: size **HC**, please find the details on page 15-163~15-168.
(cannot match the metal hood with side entry:130 008 510 1003, 130 608 510 1003)

Inserts

Crimp terminal
order crimp contacts separately



Insert	Designation	Order No.
Male	HQ-004/2-MC ¹⁾	130 006 010 0001
Female	HQ-004/2-FC ¹⁾	130 006 020 0001



1).can match PCB adapter,see page 14-06~14-07.

Accessories

Crimp contacts 10A
Contact resistance ≤ 3mΩ

silver plated



gold plated



More crimp contacts 10A
see P13-02,P13-03.

Male	Order No.	Female	Order No.
CDSM-0.25	101 017 110 0101	CDSF-0.25	101 017 120 0101
CDSM-0.37	101 017 110 0301	CDSF-0.37	101 017 120 0301
CDSM-0.50	101 017 110 0401	CDSF-0.50	101 017 120 0401
CDSM-0.75	101 017 110 0601	CDSF-0.75	101 017 120 0601
CDSM-1.0	101 017 110 0801	CDSF-1.0	101 017 120 0801
CDSM-1.5	101 017 110 0901	CDSF-1.5	101 017 120 0901
CDSM-2.5	101 017 110 1001	CDSF-2.5	101 017 120 1001
CDGM-0.25	101 017 210 0101	CDGF-0.25	101 017 220 0101
CDGM-0.37	101 017 210 0301	CDGF-0.37	101 017 220 0301
CDGM-0.50	101 017 210 0401	CDGF-0.50	101 017 220 0401
CDGM-0.75	101 017 210 0601	CDGF-0.75	101 017 220 0601
CDGM-1.0	101 017 210 0801	CDGF-1.0	101 017 220 0801
CDGM-1.5	101 017 210 0901	CDGF-1.5	101 017 220 0901
CDGM-2.5	101 017 210 1001	CDGF-2.5	101 017 220 1001

Wire gauge	Φ	Stripping length
0.09-0.25 mm ²	AWG 28-24	0.65 5 mm
0.14-0.37 mm ²	AWG 26-22	0.9 8 mm
0.5 mm ²	AWG 20	1.1 8 mm
0.75 mm ²	AWG 18	1.3 8 mm
1 mm ²	AWG 18	1.45 8 mm
1.5 mm ²	AWG 16	1.75 8 mm
2.5 mm ²	AWG 14	2.25 6 mm

When the wire gauge is less than 0.75mm²,it's better to use the auxiliary pin assembly tool TL15.

Crimp contacts 40A

Contact resistance ≤ 1mΩ

silver plated



Male	Order No.	Female	Order No.
CCSM-1.5	101 023 110 0901	CCSF-1.5	101 023 120 0901
CCSM-2.5	101 023 110 1001	CCSF-2.5	101 023 120 1001
CCSM-4.0	101 023 110 1201	CCSF-4.0	101 023 120 1201
CCSM-6.0	101 023 110 1301	CCSF-6.0	101 023 120 1301

Wire gauge	Φ	Stripping length
1.5 mm ²	AWG 16	1.75 9 mm
2.5mm ²	AWG 14	2.25 9 mm
4 mm ²	AWG 12	2.85 9.6 mm
6 mm ²	AWG 10	3.5 9.6 mm
10 mm ²	AWG 8	4.3 15 mm

Tools

Crimping tool



Contact removal tool



Wire gauge	Designation	Order No.
0.14-4mm ²	TL02G	198 001 001 0011
1.5-6mm ²	TL02-0G	198 001 001 0012
Application for crimp contacts 10A	TL00	198 001 000 0001
Application for crimp contacts 40A	TL06G	198 001 000 0009

More tools detail please find the page32-02~32-05.

Notes: The tools for crimp terminal may influence the product quality and stability. Please select the tools recognized by our company.

HQ-RJ45/10 High Density inserts

Technical characteristics

Specifications	DIN EN 60 664 DIN EN 61 984
Approvals	
Inserts	
Number of contacts	10+RJ45
Electrical data acc. to EN 61 984	
-Rated current	5A
	1A
-Rated voltage	50V
-Rated impulse voltage	0.8kV
-Pollution degree	3
Insulation resistance	$\geq 10^{10}\Omega$
Material	polycarbonate
Limiting temperatures	-40°C ...+85°C
Flammability acc. to UL 94	V0
Mechanical working life(mating cycles)	≥ 500
Transmission characteristics:	over 6 type jumper up to 500MHz According to ISO/IEC 24 702; ISO/IEC 11 801
Transmission rate:	10/100/1000Mbit/10Gbit/s
Contacts	
Material	copper alloy
Surface	hard-silver plated/hard-gold plated
Contact resistance	$\leq 3m\Omega$
Crimp terminal	
-mm ²	0.09-0.52mm ²
-AWG	28-20

HQ-RJ45/10 High Density inserts

50V 5/1A 10+RJ45

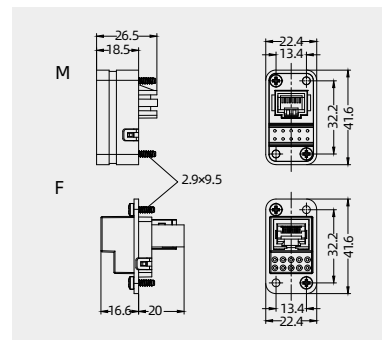
Hoods/Housings: size HC, please find the details on page 15-163~15-168.
Please refer to page 10-50 for matching cable (no plastic cable)

Inserts

Crimp terminal
order crimp contacts separately



Insert	Designation	Order No.
Male	HQ-RJ45/10-MC	130 000 010 0001
Female	HQ-RJ45/10-FC	130 000 020 0001



Crimp contacts

Crimp contacts 5A

Contact resistance $\leq 3m\Omega$
silver plated

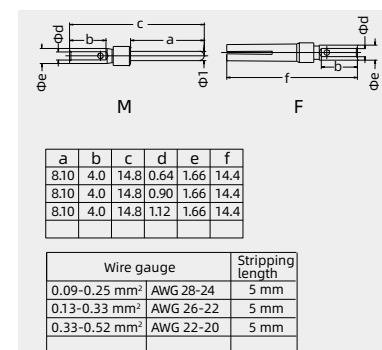


gold plated



Male	Order No.	Female	Order No.
CSSM-0.25	101 014 110 0101	CSSF-0.25	101 014 120 0101
CSSM-0.33	101 014 110 0201	CSSF-0.33	101 014 120 0201
CSSM-0.52	101 014 110 0501	CSSF-0.52	101 014 120 0501

Male	Order No.	Female	Order No.
CSGM-0.25	101 014 210 0101	CSGF-0.25	101 014 220 0101
CSGM-0.33	101 014 210 0201	CSGF-0.33	101 014 220 0201
CSGM-0.52	101 014 210 0501	CSGF-0.52	101 014 220 0501



Tools

Crimping tool



Contact removal tool



Wire gauge	Designation	Order No.
0.09-0.82mm ²	TL03	198 001 001 0002

Application	Designation	Order No.
for crimp contacts 5A	TL08	198 001 000 0006

Notes: The tools for crimp terminal may influence the product quality and stability. Please select the tools recognized by our company.

HQ-021 High Density inserts

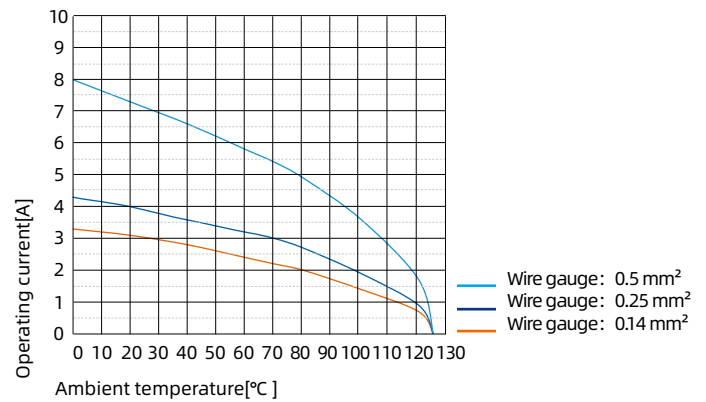
Technical characteristics

Specifications	DIN EN 60 664 DIN EN 61 984
Approvals	
Inserts	
Number of contacts	21
Electrical data acc. to EN 61 984	
-Rated current	6.5A
-Rated voltage	50V
-Rated impulse voltage	0.8kV
-Pollution degree	3
Rated voltage AC	50 V
Rated voltage DC	120 V
Insulation resistance	$\geq 10^{10}\Omega$
Material	polycarbonate
Limiting temperatures	-40°C ...+125°C
Flammability acc. to UL 94	V0
Mechanical working life(mating cycles)	≥ 500
Contacts	
Material	copper alloy
Surface	hard-silver plated
	hard-gold plated
Contact resistance	$\leq 3m\Omega$
Crimp terminal	
-mm ²	0.09-0.52mm ²
-AWG	28-20

Current carrying capacity

The current carrying is limited by maximum temperature of materials for inserts and contacts including terminals

Control and test procedures according to DIN EN 60512-5



HQ-021 High Density inserts

50V 6.5A 21

Inserts

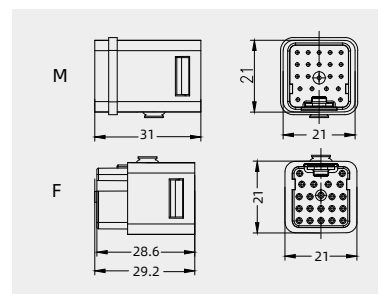
Hoods/Housings: size 3A, please find the details on page 15-06~15-16.1.

Crimp terminal

order crimp contacts separately



Insert	Designation	Order No.
Male	HQ-021-MC	130 021 010 0001
Female	HQ-021-FC	130 021 020 0001



Crimp contacts

Crimp contacts 5A

Contact resistance $\leq 3m\Omega$
silver plated

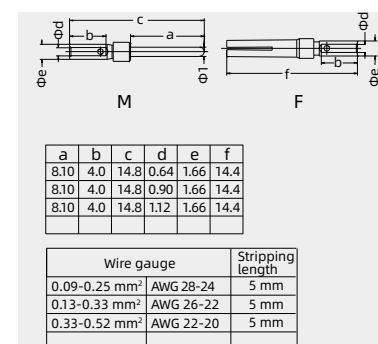


gold plated



Male	Order No.	Female	Order No.
CSSM-0.25	101 014 110 0101	CSSF-0.25	101 014 120 0101
CSSM-0.33	101 014 110 0201	CSSF-0.33	101 014 120 0201
CSSM-0.52	101 014 110 0501	CSSF-0.52	101 014 120 0501

	Male	Female	Order No.
CSGM-0.25	101 014 210 0101	CSGF-0.25	101 014 220 0101
CSGM-0.33	101 014 210 0201	CSGF-0.33	101 014 220 0201
CSGM-0.52	101 014 210 0501	CSGF-0.52	101 014 220 0501



Tools

Crimping tool



Contact removal tool



Wire gauge	Designation	Order No.
0.09-0.82mm ²	TL03	198 001 001 0002

Application	Designation	Order No.
for crimp contacts 5A	TL08	198 001 000 0006

HK-003, HC SERIES

Modular Heavy-current connector



HK-003/0, HK-003/2 Heavy-current inserts



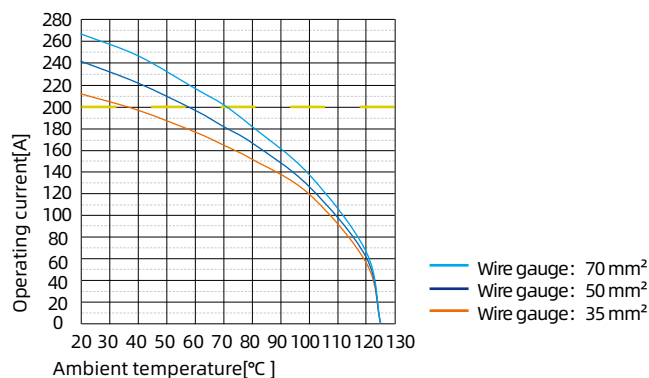
Technical characteristics

Specifications	DIN EN 60 664 DIN EN 61 984
Approvals	CE
Inserts	
Number of contacts	3/0+PE,3/2+PE
Electrical data acc. to EN 61 984	
Power area	
-Rated current	200A
-Rated voltage conductor	1150/2000V
-Rated impulse voltage	8kV
-Pollution degree	3
Pollution degree 2 also	200A 2000V 12kV 2
Signal area	
-Rated current	16A
-Rated voltage	400V
-Rated impulse voltage	6kV
-Pollution degree	3
Pollution degree 2 also	16A 500V 6kV 2
Insulation resistance	$\geq 10^{10}\Omega$
Material	polycarbonate
Limiting temperatures	-40°C ...+125°C
Flammability acc. to UL 94	V0
Mechanical working life(mating cycles)	≥ 500
Contacts	
Material	copper alloy
Surface	silver
Contact resistance	$\leq 0.2m\Omega$
For stranded wire acc. to IEC 60 228 Class 5	
Axial screw termination	
Power contacts	
- Wire gauge	35-70mm ²
- AWG	2-00
- Hexagonal driver	SW5
- Stripping length	22mm
	mm ² 35 50 70
- Tightening torque	N.m 8 9 10
PE contact	
- Wire gauge	16-35mm ²
- AWG	5-2
- Hexagonal driver	SW4
- Stripping length	14mm
- Tightening torque	6Nm
Signal contact (only HK 3/2)	
- Wire gauge	2.5mm ²
- AWG	14
- Stripping length	7mm
- Tightening torque	0.5Nm

Current carrying capacity



The current carrying is limited by maximum temperature of materials for inserts and contacts including terminals

Control and test procedures according to DIN EN 60512-5



24B Pressure tight hoods/housings with 1 modules

HK-003/0, HK-003/2 Heavy-current inserts

1150/2000V 200A 3/0  , 3/2+ 

CE

Inserts

Hoods/Housings: size Pressure tight hoods/housings, please find the details on page 12-04~12-05.

Axial screw terminal ¹⁾



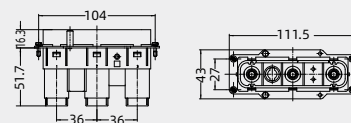
Insert	Designation	Order No.
Male	HK-003/0-M	128 003 011 0001
Female	HK-003/0-F	128 003 021 0001

轴向螺栓连接 terminal ¹⁾

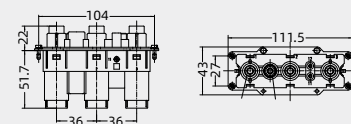


Insert	Designation	Order No.
Male	HK-003/2-M	128 005 011 0001
Female	HK-003/2-F	128 005 021 0001

Distance for contact max. 21 mm



M



F

Pressure tight hoods/housings

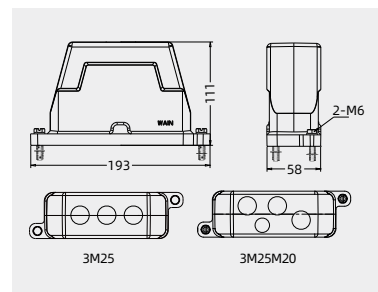
Degree of protection: IP68/IP69K

H version

Hoods, top entry, high construction



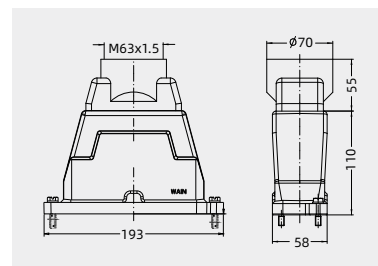
Thread	Designation	Order No.
	Screw locking	
3M25	HP24B/H-TEH-2S-3M25	113 624 420 5036
3M25,M20	HP24B/H-TEH-2S-3M25M20	113 624 420 5040
	Toggle locking	
3M25	HP24B/H-TEH-2T-3M25	113 624 440 5036
3M25,M20	HP24B/H-TEH-2T-3M25M20	113 624 440 5040



Hoods, top entry, high construction



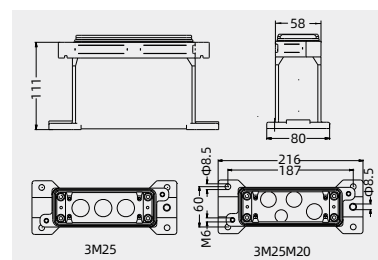
Thread	Designation	Order No.
	Screw locking	
M63	HP24B/H-TEH-2S-M63	113 624 420 5007
	Toggle locking	
M63	HP24B/H-TEH-2T-M63	113 624 440 5007



Surface mounted housings high construction



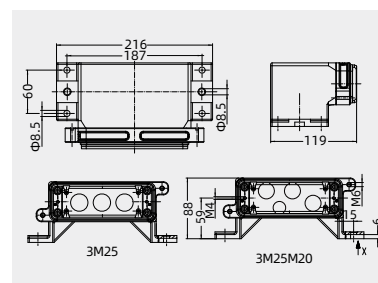
Thread	Designation	Order No.
	Screw locking	
3M25	HP24B/H-SFH-2H-3M25	113 624 220 5036
3M25,M20	HP24B/H-SFH-2H-3M25M20	113 624 220 5040
	Toggle locking	
3M25	HP24B/H-SFH-2T-3M25	113 624 240 5036
3M25,M20	HP24B/H-SFH-2T-3M25M20	113 624 240 5040



Surface mounted housings high construction



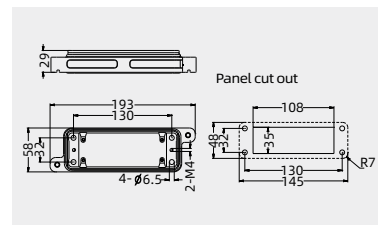
Thread	Designation	Order No.
	Screw locking	
3M25	HP24B/H-BK-SE-2H-3M25	113 624 920 1036
3M25,M20	HP24B/H-BK-SE-2H-3M25M20	113 624 920 1040
M50	HP24B/H-BK-SE-2H-M50	113 624 920 1006
	Toggle locking	
3M25	HP24B/H-BK-SE-2T-3M25	113 624 940 1036
3M25,M20	HP24B/H-BK-SE-2T-3M25M20	113 624 940 1040
M50	HP24B/H-BK-SE-2T-M50	113 624 940 1006



Surface mounted housings



Thread	Designation	Order No.
	Screw locking	
---	HP24B/H-BK-2H	113 624 320 1001
	Toggle locking	
---	HP24B/H-BK-2T	113 624 340 1001



Pressure tight hoods/housings

Degree of protection: IP68/IP69K

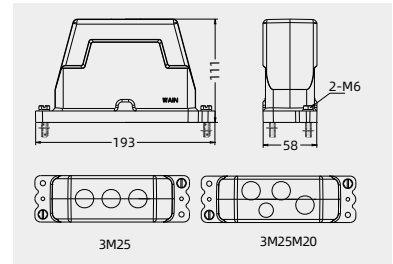
The following hoods/housings comply with the standards for rail transport industry in China.

H version

Hoods, top entry, high construction



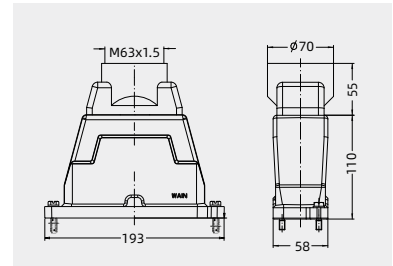
Thread	Designation	Order No.
	Screw locking	
3M25	HP24B/H-TEH-4S-3M25	113 624 430 5036
3M25,M20	HP24B/H-TEH-4S-3M25M20 3SP	113 624 430 5040



Hoods, top entry, high construction



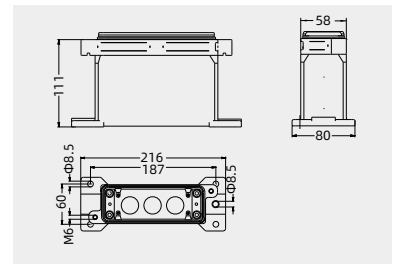
Thread	Designation	Order No.
	Screw locking	
M63	HP24B/H-TEH-4S-M63	113 624 430 5007



Surface mounted housings
high construction



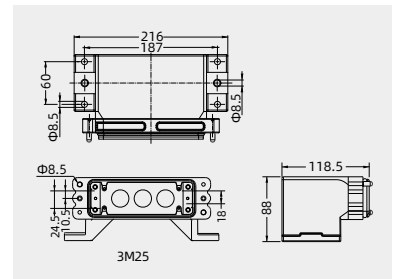
Thread	Designation	Order No.
	Screw locking	
3M25	HP24B/H-SFH/BK-4H-3M25	113 624 230 5036
3M25,M20	HP24B/H-SFH-4H-3M25M20	113 624 230 5040



Surface mounted housings
high construction



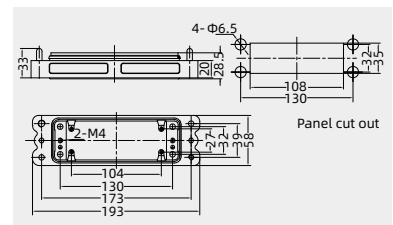
Thread	Designation	Order No.
	Screw locking	
3M25	HP24B/H-BK-SE-4H-3M25	113 624 930 1036
3M25,M20	HP24B/H-BK-SE-4H-3M25M20	113 624 930 1040
M50	HP24B/H-BK-SE-4H-M50	113 624 930 1006



Surface mounted housings



Thread	Designation	Order No.
	Screw locking	
---	HP24B/H-BK-4H	113 624 330 1001



HC-250 Heavy-current inserts

Crimp terminal



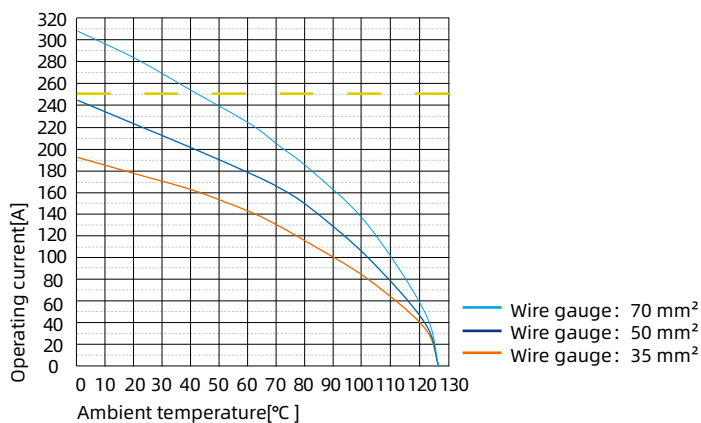
Technical characteristics

Specifications	DIN EN 60 664 DIN EN 61 984
Approvals	
Inserts	
Number of contacts	1,2,3,4,3+PE
Electrical data acc. to DIN EN 61 984	
Rated current	250A
-Rated voltage	2000V
-Rated impulse voltage	12kV
-Pollution degree	3
Insulation resistance	$\geq 10^{10}\Omega$
Material	polycarbonate
Limiting temperatures	-40°C ...+125°C
Flammability acc. to UL 94	V0
Mechanical working life(mating cycles)	≥ 500
Contacts	
Material	Copper alloy
Surface	hard-silver plated
Contact resistance	$\leq 0.3\text{ m}\Omega$
Crimp terminal	
- mm ²	35 - 70 mm ²
Max. insulation diameter	18 mm
Crimp dies	acc. to DIN 46 325
Pressing force requirement	130 kN
Frame	
Material	stainless steel
Tightening torque of the M3 fixing screws	0.5Nm

Current carrying capacity

The current carrying is limited by maximum temperature of materials for inserts and contacts including terminals

Control and test procedures according to DIN EN 60512-5



Assembly Details



Cut the cable head square and strip the insulation



The copper strands must be cleaned from dirt and oxide film



Copper strands must not be twisted



Check if the cable strand is inserted completely into the crimp ferrule of the contact

HC-250 Heavy-current inserts

2000V 250A



Inserts

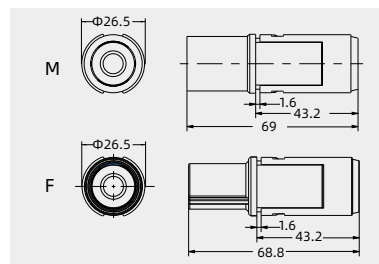
Hoods/Housings: size Pressure tight hoods/housings, please find the details on page 12-08~12-09.

Crimp terminal

Order crimp contacts separately



Insert	Designation	Order No.
Male	HC250-MC	131 001 010 0001
Female	HC250-FC	131 001 020 0001



Crimp contacts

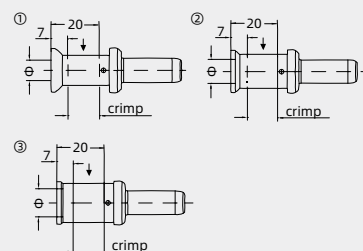
Crimp contacts 250A

Silver plated



NO.	Male	Order No.	Female	Order No.
①	CHSM250-35	101 028 110 1701	CHSF250-35G	101 028 120 1703
②	CHSM250-50	101 028 110 1801	CHSF250-50G	101 028 120 1803
③	CHSM250-70	101 028 110 1901	CHSF250-70G	101 028 120 1903

For stranded wire acc. to IEC 60 228-5
Crimp zone acc. to DIN 46 235



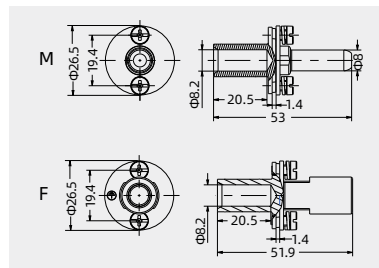
NO.	Wire gauge	Φ	Stripping length
①	35 mm ²	8.45 mm	22 mm
②	50 mm ²	10.25 mm	22 mm
③	70 mm ²	11.75 mm	22 mm

PE crimp contacts 250A

Silver plated



Male	Order No.	Female	Order No.
CHSM250PE-35	101 028 110 1704	CHSF250PE-35	101 028 120 1704



Tools

Manual hydraulic clamp

Wire gauge	Designation	Order No.
10-240mm ²	TL05	198 001 001 0005



Notes: The tools for crimp terminal may influence the product quality and stability. Please select the tools recognized by our company.

Pressure tight hoods/housings

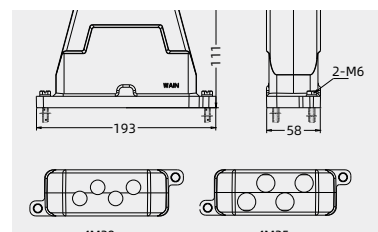
Degree of protection: IP68/IP69K

H version

Hoods, top entry, high construction



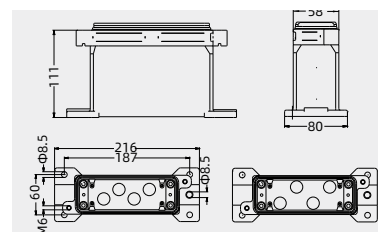
Thread	Designation	Order No.
	Screw locking	
4M20	HP24B/H-TEH-2S-4M20	113 624 420 5038
4M25	HP24B/H-TEH-2S-4M25	113 624 420 5039
	Toggle locking	
4M20	HP24B/H-TEH-2T-4M20	113 624 440 5038
4M25	HP24B/H-TEH-2T-4M25	113 624 440 5039



Surface mounted housings high construction



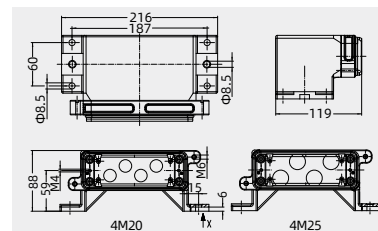
Thread	Designation	Order No.
	Screw locking	
4M20	HP24B/H-SFH-2H-4M20	113 624 220 5038
4M25	HP24B/H-SFH-2H-4M25	113 624 220 5039
	Toggle locking	
4M20	HP24B/H-SFH-2T-4M20	113 624 240 5038
4M25	HP24B/H-SFH-2T-4M25	113 624 240 5039



Surface mounted housings



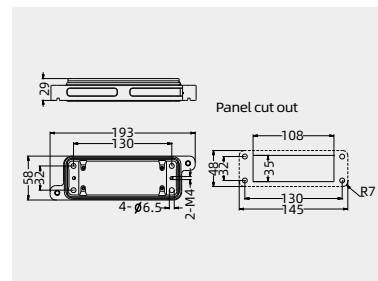
Thread	Designation	Order No.
	Screw locking	
4M20	HP24B/H-BK-SE-2H-4M20	113 624 920 1038
4M25	HP24B/H-BK-SE-2H-4M25	113 624 920 1039
	Toggle locking	
4M20	HP24B/H-BK-SE-2T-4M20	113 624 940 1038
4M25	HP24B/H-BK-SE-2T-4M25	113 624 940 1039



Bulkhead mounted housings



Thread	Designation	Order No.
	Screw locking	
---	HP24B/H-BK-2H	113 624 320 1001
	Toggle locking	
---	HP24B/H-BK-2T	113 624 340 1001

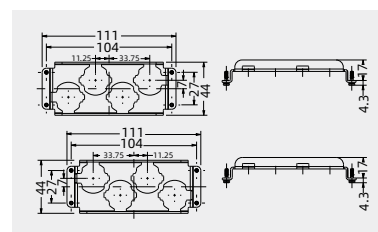


Frame

for 4 pins



Describe	Designation	Order No.
---	HF24B-004A-M	131 024 000 1011
---	HF24B-004A-F	131 024 000 1012



Pressure tight hoods/housings

Degree of protection: IP68/IP69K

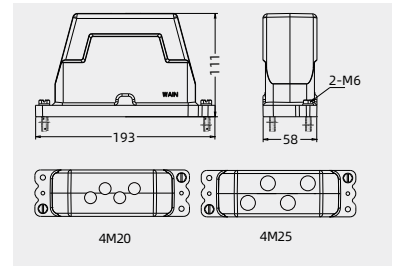
The following hoods/housings comply with the standards for rail transport industry in China.

H version

Hoods, top entry, high construction



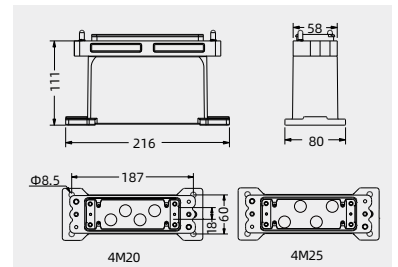
Thread	Designation	Order No.
	Screw locking	
4M20	HP24B/H-TEH-4S-4M20	113 624 430 5038
4M25	HP24B/H-TEH-4S-4M25	113 624 430 5039



Surface mounted housings high construction



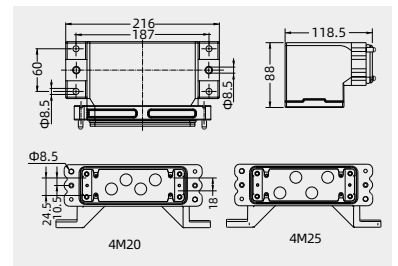
Thread	Designation	Order No.
	Screw locking	
4M20	HP24B/H-SFH-4H-4M20	113 624 230 5038
4M25	HP24B/H-SFH-4H-4M25	113 624 230 5039



Surface mounted housings



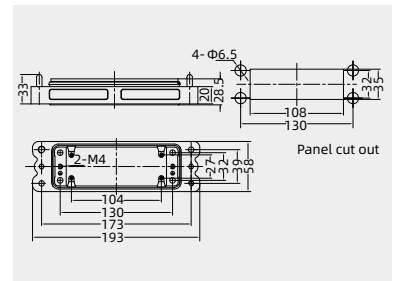
Thread	Designation	Order No.
	Screw locking	
4M20	HP24B/H-BK-SE-4H-4M20	113 624 930 1038
4M25	HP24B/H-BK-SE-4H-4M25	113 624 930 1039



Bulkhead mounted housings



Thread	Designation	Order No.
	Screw locking	
---	HP24B/H-BK-4H	113 624 330 1001

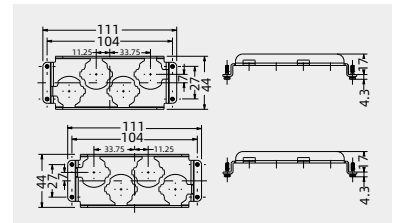


Frame

for 4 pins



Describe	Designation	Order No.
---	HF24B-004A-M	131 024 000 1011
---	HF24B-004A-F	131 024 000 1012



Pressure tight hoods/housings

Degree of protection: IP68/IP69K

The following hoods/housings comply with the standards for rail transport industry in China.

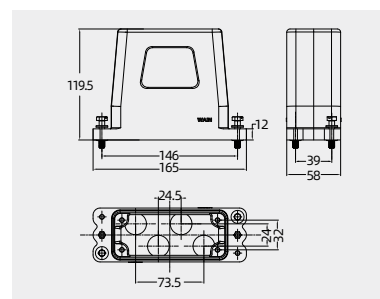
Only suitable for cable with 18mm diameter

H version

Hoods, top entry, high construction



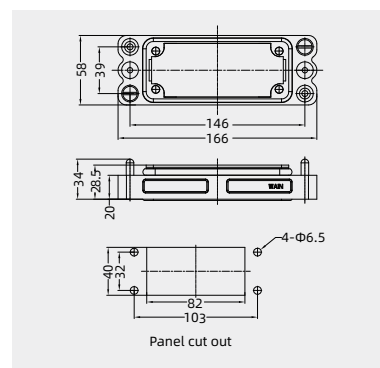
Thread	Designation	Order No.
	Screw locking	
4M25	HP16B/HE-TEHH-4S-4M25	113 016 430 5003



Bulkhead mounted housings



Thread	Designation	Order No.
	Screw locking	
---	HP16B/HE-BK-4H	113 016 330 1002

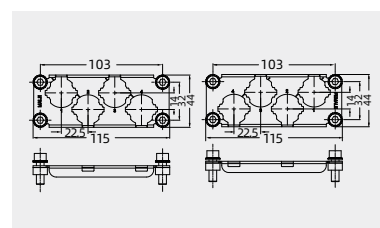


Frame

for 4 pins



Describe	Designation	Order No.
---	HF16B-004A/E-M	131 016 000 1006
---	HF16B-004A/E-F	131 016 000 1007



HC-350 Heavy-current inserts

Crimp terminal



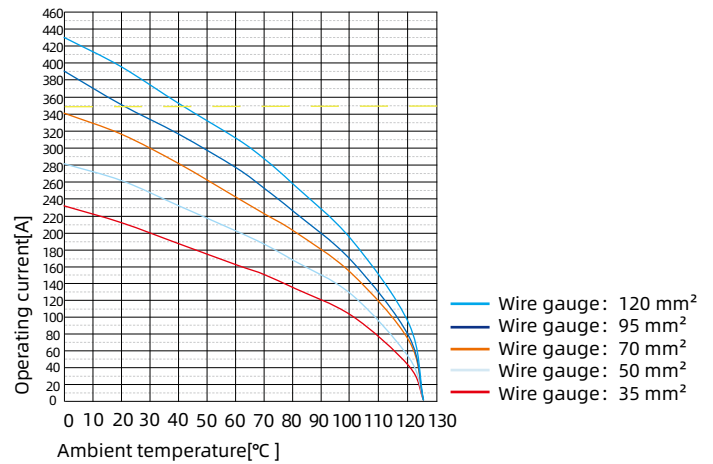
Technical characteristics

Specifications	DIN EN 60 664	DIN EN 61 984
Approvals		
Inserts		
Number of contacts	1,2,3,4	
Electrical data acc. to EN 61 984		
without adapter		
-Rated current	350A	
-Rated voltage	2000V	
-Rated impulse voltage	12kV	
-Pollution degree	3	
with adapter		
-Rated voltage	4000V	
-Rated impulse voltage	18kV	
-Pollution degree	3	
Insulation resistance	$\geq 10^{10}\Omega$	
Material	polyamide	
Limiting temperatures	-40°C ...+125°C	
Flammability acc. to UL 94	V0	
Mechanical working life(mating cycles)	≥ 500	
Contacts		
Material	copper alloy	
Surface	hard-silver plated	
Contact resistance	$\leq 0.3m\Omega$	
Crimp terminal		
- mm ²	35 - 120 mm ²	
Max. insulation diameter	22 mm	
Crimp dies	acc. to DIN 46 235	
Pressing force	130kN	
Frame		
Material	stainless steel	
Tightening torque of the M3 fixing screws	0.5 Nm	
Tightening torque of the M4 fixing screws	1.5 Nm	
Tightening torque of the M6 fixing screws	4Nm	

Current carrying capacity

The current carrying is limited by maximum temperature of materials for inserts and contacts including terminals

Control and test procedures according to DIN EN 60512-5



24B Pressure tight hoods/housings with 3 modules

Assembly Details



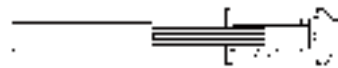
Cut the cable head square and strip the insulation



The copper strands must be cleaned from dirt and oxide film



Copper strands must not be twisted



Check if the cable strand is inserted completely into the crimp ferrule of the contact

HC-350 Heavy-current inserts

2000/4000V 350A



Inserts

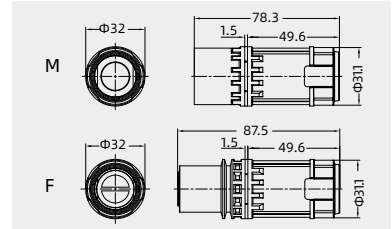
Hoods/Housings: size Pressure tight hoods/housings, please find the details on page 12-12~12-19.

Crimp terminal

Order crimp contacts separately



Insert	Designation	Order No.
Male	HC350-MC	131 001 010 0101
Female	HC350-FC	131 001 020 0101



Crimp contacts

Crimp contacts 350A

Silver plated



NO.	Male	Order No.	Female	Order No.
①	CHSM350-35	101 029 110 1701	CHSF350-35G	101 029 120 1703
②	CHSM350-50	101 029 110 1801	CHSF350-50G	101 029 120 1803
③	CHSM350-70	101 029 110 1901	CHSF350-70G	101 029 120 1903
④	CHSM350-95	101 029 110 2001	CHSF350-95G	101 029 120 2003
⑤	CHSM350-120	101 029 110 2101	CHSF350-120G	101 029 120 2103

For stranded wire acc. to IEC 60 228-5
Crimp zone acc. to DIN 46 235

NO.	Wire gauge	Φ	Stripping length
①	35 mm ²	8.2 mm	26 mm
②	50 mm ²	10.0mm	28 mm
③	70 mm ²	11.5 mm	28 mm
④	95 mm ²	13.5 mm	30 mm
⑤	120 mm ²	15.5 mm	24 mm

Tools

Manual hydraulic clamp



Wire gauge	Designation	Order No.
10-240mm ²	TL05	198 001 001 0005

Hexagonal adapter[optional]

metal version with O-Ring



Describe	Designation	Order No.
for 350 Hoods/Housings	WNSC-M25M25/APT	102 103 018 1001
	WNSC-M32M32/APT	102 103 019 1001

	WNSC-M25M25/APT	WNSC-M32M32/APT
Thread(LG)	M25x1.5	M32x1.5
Thread(AG)	M25x1.5	M32x1.5
length of thread(L1)	13.5	16.5
length of thread(L2)	5.5	5.5
Wrench Size(SW)	30	40

Notes: The tools for crimp terminal may influence the product quality and stability. Please select the tools recognized by our company.

Pressure tight hoods/housings

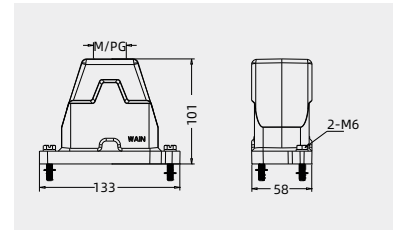
Degree of protection: IP68/IP69K

H version

Hoods, top entry, high construction



Thread	Designation	Order No.
	Screw locking	
M25	HP6B/H-TEH-2S-M25	113 606 420 5003
M32	HP6B/H-TEH-2S-M32	113 606 420 5004
	Toggle locking	
M25	HP6B/H-TEH-2T-M25	113 606 440 5003
M32	HP6B/H-TEH-2T-M32	113 606 440 5004

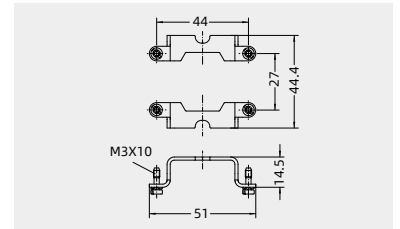


Frame, size 6B hoods/housings

for 1 pins



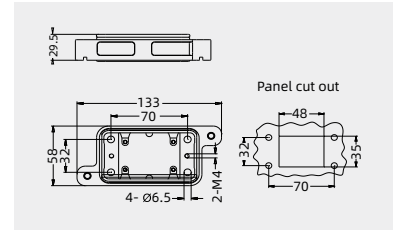
Describe for 1 pin	Designation	Order No.
	HF6B-001C	131 006 000 1001



Bulkhead mounted housings



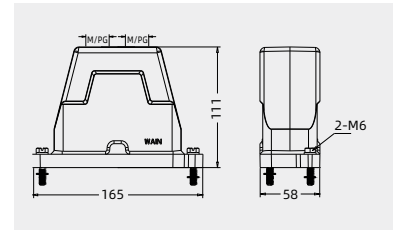
Thread	Designation	Order No.
	Screw locking	
---	HP6B/H-BK-2H	113 606 320 1001
	Toggle locking	
---	HP6B/H-BK-2T	113 606 340 1001



Hoods, top entry, high construction



Thread	Designation	Order No.
	Screw locking	
2M25	HP16B/H-TEH-2S-2M25	113 616 420 5023
	Toggle locking	
2M25	HP16B/H-TEH-2T-2M25	113 616 440 5023

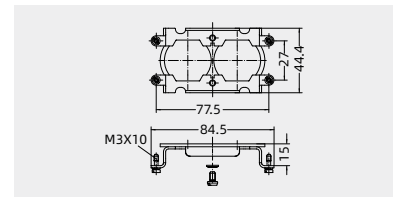


Frame, size 16B hoods/housings

for 2 pins



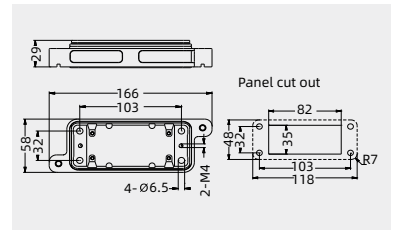
Describe for 2 pins	Designation	Order No.
	HF16B-002C	131 016 000 1001



Bulkhead mounted housings



Thread	Designation	Order No.
	Screw locking	
---	HP16B/H-BK-2H	113 616 320 1001
	Toggle locking	
---	HP16B/H-BK-2T	113 616 340 1001



Pressure tight hoods/housings

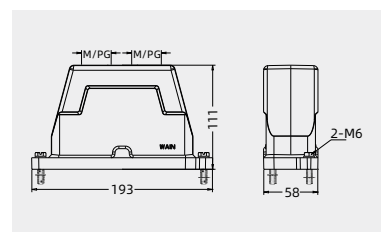
Degree of protection: IP68/IP69K

H version

Hoods, top entry, high construction



Thread	Designation	Order No.
	Screw locking	
2M25	HP24B/H-TEH-2S-2M25	113 624 420 5023
2M32	HP24B/H-TEH-2S-2M32	113 624 420 5024
	Toggle locking	
2M25	HP24B/H-TEH-2T-2M25	113 624 440 5023
2M32	HP24B/H-TEH-2T-2M32	113 624 440 5024

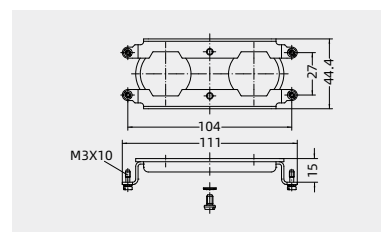


Frame, size 24B hoods/housings

for 2 pins



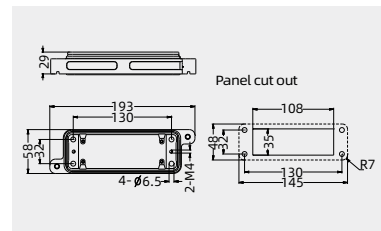
Describe for 2 pins	Designation	Order No.
	HF24B-002C	131 024 000 1001



Bulkhead mounted housings



Thread	Designation	Order No.
	Screw locking	
---	HP24B/H-BK-2H	113 624 320 1001
	Toggle locking	
---	HP24B/H-BK-2T	113 624 340 1001



Pressure tight hoods/housings

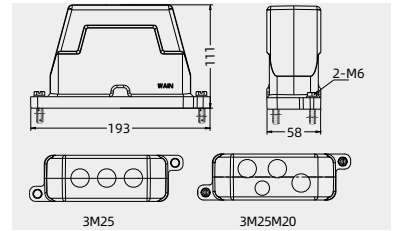
Degree of protection: IP68/IP69K

H version

Hoods, top entry, high construction



Thread	Designation	Order No.
3M25	Screw locking HP24B/H-TEH-2S-3M25	113 624 420 5036
	Toggle locking HP24B/H-TEH-2T-3M25	113 624 440 5036

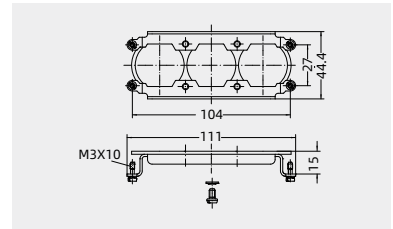


Frame, size 24B hoods/housings

for 3 pins



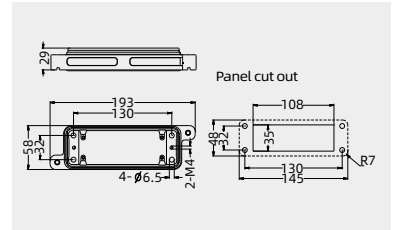
Describe for 3 pins	Designation	Order No.
	HF24B-003C	131 024 000 1003



Bulkhead mounted housings



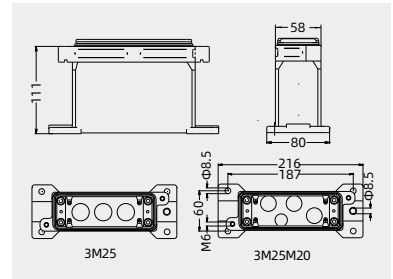
Thread	Designation	Order No.
---	Screw locking HP24B/H-BK-2H	113 624 320 1001
	Toggle locking HP24B/H-BK-2T	113 624 340 1001



Surface mounted housings
high construction



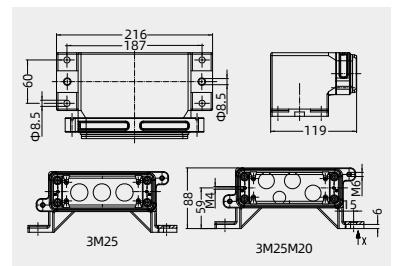
Thread	Designation	Order No.
3M25	Screw locking HP24B/H-SFH-2H-3M25	113 624 220 5036
	Toggle locking HP24B/H-SFH-2T-3M25	113 624 240 5036



Surface mounted housings
high construction



Thread	Designation	Order No.
3M25	Screw locking HP24B/H-BK-SE-2H-3M25	113 624 920 1036
	Toggle locking HP24B/H-BK-SE-2T-3M25	113 624 940 1036



Pressure tight hoods/housings

Degree of protection: IP68/IP69K

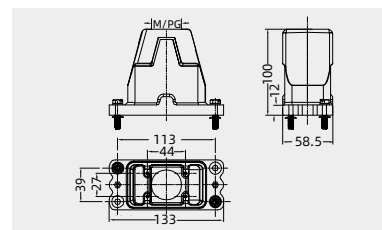
The following hoods/housings comply with the standards for rail transport industry in China.

H version

Hoods, top entry, high construction



Thread	Designation	Order No.
	Screw locking	
M25	HP6B/H-TEH-4S-M25	113 606 430 5003
M32	HP6B/H-TEH-4S-M32	113 606 430 5004

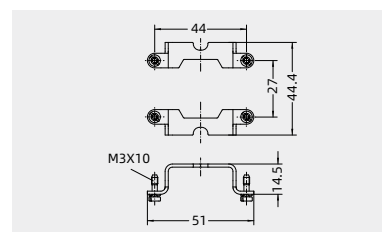


Frame, size 6B hoods/housings

for 1 pins



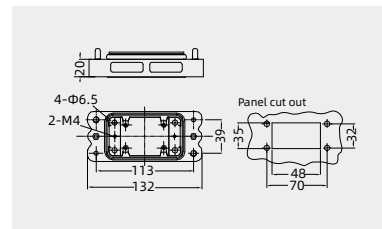
Describe for 1 pin	Designation	Order No.
	HF6B-001C	131 006 000 1001



Bulkhead mounted housings



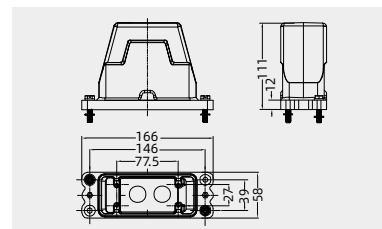
Thread	Designation	Order No.
	Screw locking	
---	HP6B/H-BK-4H	113 606 330 1001



Hoods, top entry, high construction



Thread	Designation	Order No.
	Screw locking	
2M25	HP16B/H-TEH-4S-2M25	113 616 430 5023

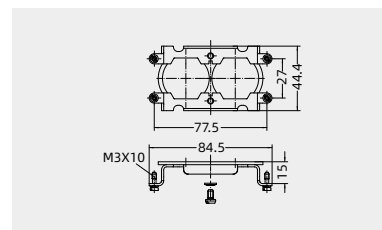


Frame, size 16B hoods/housings

for 2 pins



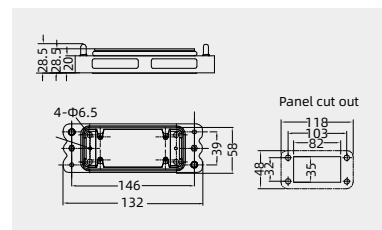
Describe for 2 pins	Designation	Order No.
	HF16B-002C	131 016 000 1001



Bulkhead mounted housings



Thread	Designation	Order No.
	Screw locking	
---	HP16B/H-BK-4H	113 616 330 1001



Pressure tight hoods/housings

Degree of protection: IP68/IP69K

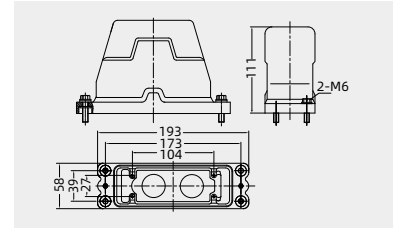
The following hoods/housings comply with the standards for rail transport industry in China.

H version

Hoods, top entry, high construction



Thread	Designation	Order No.
	Screw locking	
2M25	HP24B/H-TEH-4S-2M25	113 624 430 5023
2M32	HP24B/H-TEH-4S-2M32	113 624 430 5024

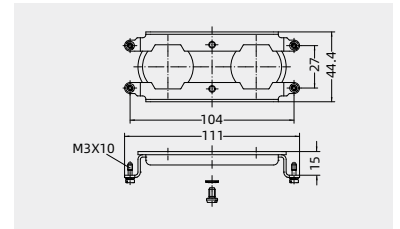


Frame, size 24B hoods/housings

for 2 pins



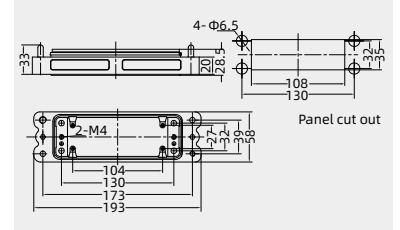
Describe for 2 pins	Designation	Order No.
	HF24B-002C	131 024 000 1001



Bulkhead mounted housings



Thread	Designation	Order No.
	Screw locking	
---	HP24B/H-BK-4H	113 624 330 1001



Pressure tight hoods/housings

Degree of protection: IP68/IP69K

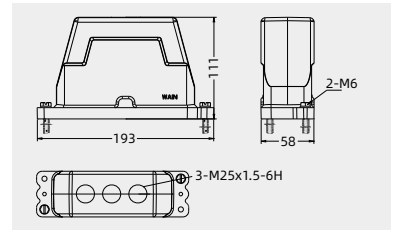
The following hoods/housings comply with the standards for rail transport industry in China.

H version

Hoods, top entry, high construction



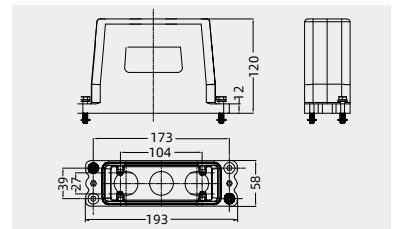
Thread	Designation	Order No.
3M25	HP24B/H-TEH-4S-3M25	113 624 430 5036



Hoods, top entry, high construction



Thread	Designation	Order No.
3M32	HP24B/H-TEHH-4S-3M32	113 624 430 5037

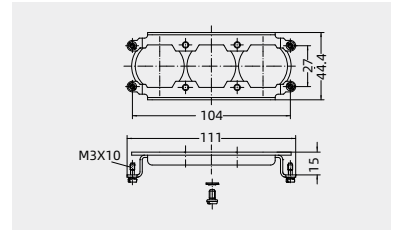


Frame, size 24B hoods/housings

for 3 pins



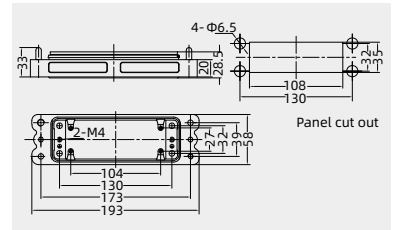
Describe	Designation	Order No.
for 3 pins	HF24B-003C	131 024 000 1003



Bulkhead mounted housings



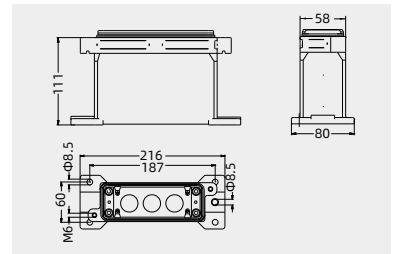
Thread	Designation	Order No.
---	HP24B/H-BK-4H	113 624 330 1001



Surface mounted housings
high construction



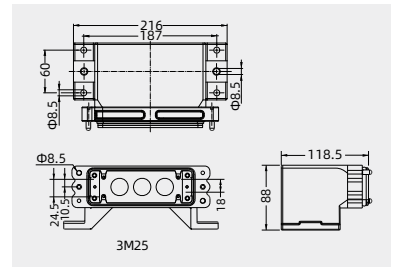
Thread	Designation	Order No.
3M25	HP24B/H-SFH/BK-4H-3M25	113 624 230 5036



Surface mounted housings



Thread	Designation	Order No.
3M25	HP24B/H-BK-SE-4H-3M25	113 624 930 1036



Pressure tight hoods/housings
- enlarged

Degree of protection: IP68/IP69K

The following hoods/housings comply with the standards for rail transport industry in China.

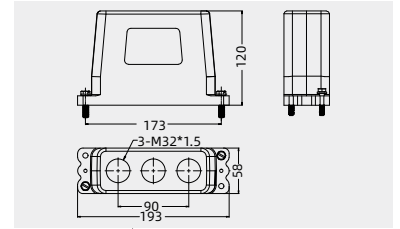
Only suitable for cable with 18mm diameter

H version

Hoods, top entry, high construction



Thread	Designation	Order No.
	Screw locking	
3M32	HP24B/HE-TEHH-4S-3M32	113 624 430 5137

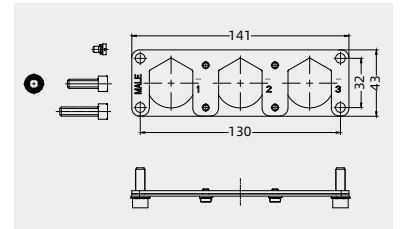


Male, Frame, size 24B hoods/housings

for 3 pins



Describe for 3 pins	Designation	Order No.
	HF24B-003C/E-M	131 024 000 1005

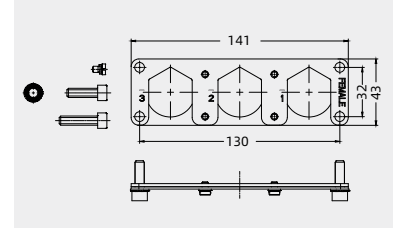


Female, Frame, size 24B hoods/housings

for 3 pins



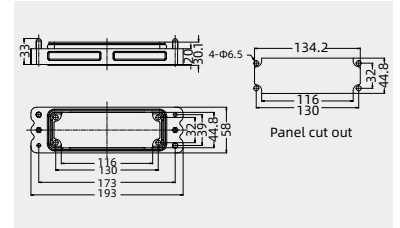
Describe for 3 pins	Designation	Order No.
	HF24B-003C/E-F	131 024 000 1006



Bulkhead mounted housings



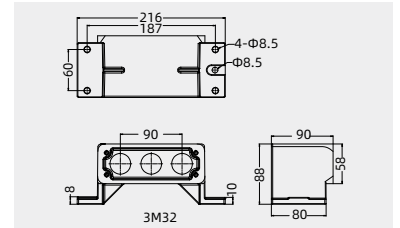
Thread	Designation	Order No.
	Screw locking	
---	HP24B/HE-BK-4H	113 624 330 1101



Surface mounted housings



Thread	Designation	Order No.
	Screw locking	
3M32	HP24B/HE-BK-SE-3M32	113 624 900 1137



Pressure tight hoods/housings

Degree of protection: IP68/IP69K

The following hoods/housings comply with the standards for rail transport industry in China.

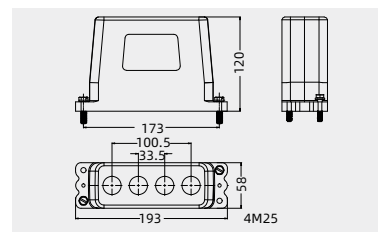
Only suitable for cable with 18mm diameter

H version

Hoods, top entry, high construction

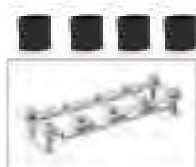


Thread	Designation	Order No.
	Screw locking	
4M25	HP24B/HE-TEHH-4S-4M25	113 624 430 5139

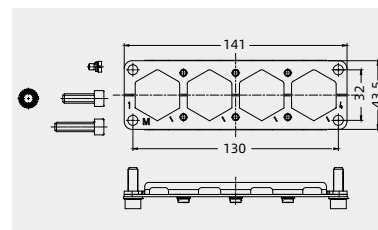


Male, Frame, size 24B hoods/housings

for 4 pins

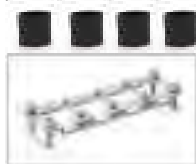


Describe for 4 pins	Designation	Order No.
	HF24B-004C/E-M	131 024 000 1009

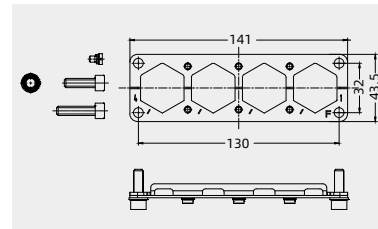


Female, Frame, size 24B hoods/housings

for 4 pins



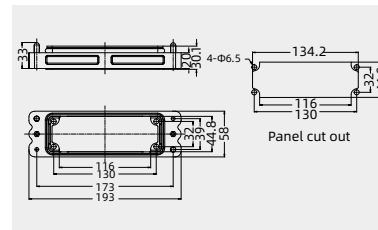
Describe for 4 pins	Designation	Order No.
	HF24B-004C/E-F	131 024 000 1010



Bulkhead mounted housings



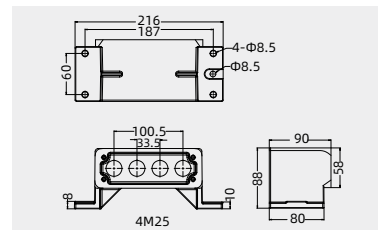
Thread	Designation	Order No.
	Screw locking	
---	HP24B/HE-BK-4H	113 624 330 1101



Surface mounted housings



Thread	Designation	Order No.
	Screw locking	
---	HP24B/HE-BK-SE-4M25	113 624 900 1139



Pressure tight hoods/housings
- enlarged

Degree of protection: IP68/IP69K

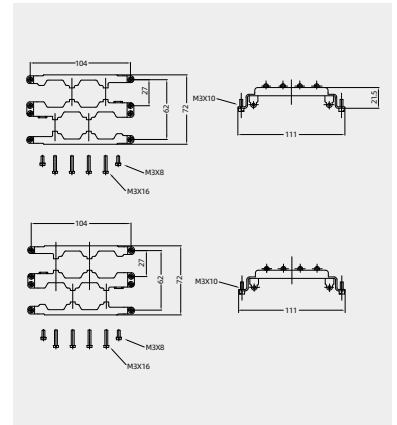
The following hoods/housings comply with the standards for rail transport industry in China.
Only suitable for cable with 18mm diameter



Frame



Insert	Designation	Order No.
Male	HF48B-004C/2HQ005-M	131 048 000 1002
Female	HF48B-004C/2HQ005-F	131 048 000 1003



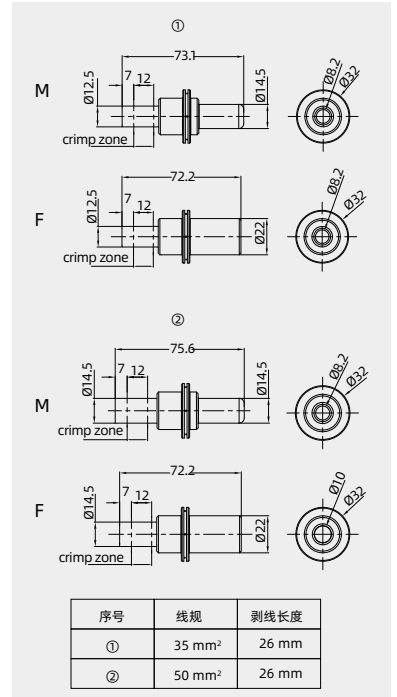
Crimp contacts 350A

350A Crimp contacts

silver plated



NO.	Male	Order No.	Female	Order No.
①	CHSM350PE-35	101 029 101 1701	CHSF350PE-35G	101 029 120 1701
②	CHSM350PE-50	101 029 101 1801	CHSF350PE-50G	101 029 120 1801



Tools

Manual hydraulic clamp



Wire gauge	Designation	Order No.
10-240mm ²	TL05	198 001 001 0005

序号	线规	剥线长度
①	35 mm ²	26 mm
②	50 mm ²	26 mm

Notes: The tools for crimp terminal may influence the product quality and stability. Please select the tools recognized by our company.

HC-650 Heavy-current inserts

Axial screw terminal



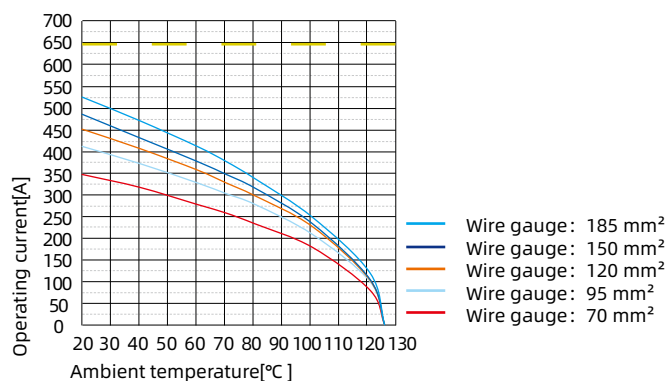
Technical characteristics

Specifications	DIN EN 60 664	DIN EN 61 984
Approvals		
Inserts		
Number of contacts	1,2,3	
Electrical data acc. to EN 61 984		
without adapter		
-Rated current	650A	
-Rated voltage	2000V	
-Rated impulse voltage	12kV	
-Pollution degree	3	
with adapter		
-Rated voltage	4000V	
-Rated impulse voltage	18kV	
-Pollution degree	3	
Insulation resistance	$\geq 10^{10}\Omega$	
Material	polyamide	
Limiting temperatures	-40°C ...+125°C	
Flammability acc. to UL 94	V0	
Mechanical working life(mating cycles)	≥ 500	
Contacts		
Material	copper alloy	
Surface	silver	
Contact resistance	$\leq 0.2m\Omega$	
For stranded wire acc. to IEC 60 228 Class 5		
Axial screw termination		
- Wire gauge	35-70 /70-120 / 150-185mm ²	
- MCM	138 - 236 / 300 - 350	
- Stripping length	23-25	
- Max. cable diameter	26.5mm	
	mm ² 35 50 70 95 120 150 185	
- Tightening torque	Nm 8 10 12 14 16 17 18	
Screw terminal		
- Thread	M12	
- Tightening torque	8-18Nm	
Frame		
Material	stainless steel	
Tightening torque of the M3 fixing screws	0.5Nm	

Current carrying capacity

The current carrying is limited by maximum temperature of materials for inserts and contacts including terminals

Control and test procedures according to DIN EN 60512-5



24B Pressure tight hoods/housings with 2 modules

HC-650 Heavy-current inserts

4000V 650A

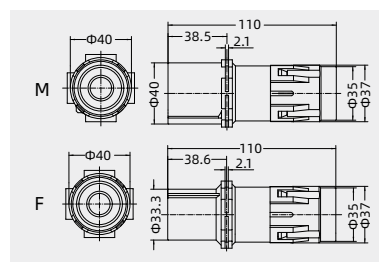
Inserts

Hoods/Housings: size Pressure tight hoods/housings, please find the details on page 12-24~12-26.

Axial screw terminal¹⁾



Insert	Wire gauge	Designation	Order No.
Male	35-70mm ²	HC650.70-M(35-70mm ²)	131 001 011 0203
	70-120mm ²	HC650.120-M (70-120mm ²)	131 001 011 0201
	150-185mm ²	HC650.185-M (150-185mm ²)	131 001 011 0202
Female	35-70mm ²	HC650.70-F(35-70mm ²)	131 001 021 0203
	70-120mm ²	HC650.120-F (70-120mm ²)	131 001 021 0201
	150-185mm ²	HC650.185-F (150-185mm ²)	131 001 021 0202



Assembly details

Step 1: Strip cable to 23+2 mm

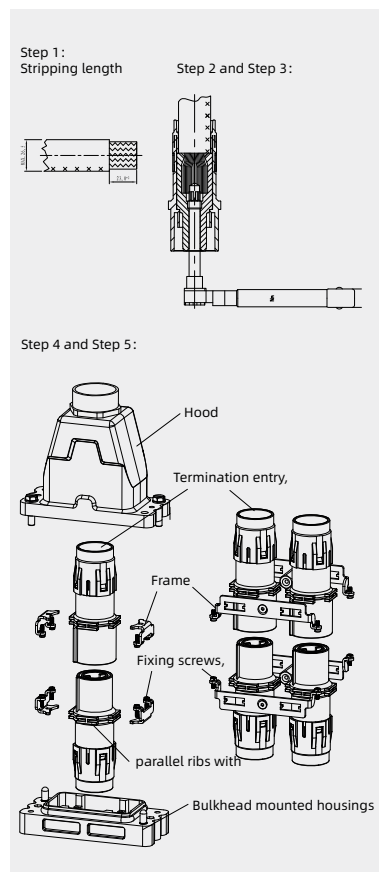
Step 2: Push conductor through the cable gland and the housing. Push the stripped end of the conductor into the termination entry of the module until the insulation touches the contact.

Step 3: To tighten the axial screw, a hexagonal wrench size 8 is needed. Insert the hexagonal wrench on the mating side of the contact. At the same time, push the conductor over the axial screw. The locking screw has to be tightened with the recommended tightening torque that is determined by the conductor's cross section.

Step 4: Once the modules are terminated, they are mounted into the housing by using two metal frames (tightening torque of the fixing screws = 0.5 Nm). The modules have 4 pegs formed by 2 parallel ribs (each rib shapes like a "H"). Each rib takes 1 pole frame, where the lateral link has to go into the relief of the frame. The 2 pole frames have 2 cutouts on the wall which get fitted to the "H"-shaped pegs (see figure). The heads of the screws have to face the mating direction of the module. Coding can be established by rotating the contact by 90 degrees. Therefore it is important that the corresponding modules are assembled in the correct position otherwise mating is not possible.

Step 5: After assembling the modules in the housing, the tightening torque of the locking screw can be checked and corrected if necessary.

Step 6: After final assembly of the contacts, the user should ensure that the cable is adequately strain relieved to protect the contact from radial stress.



1) See P00-30-00-31 for the structural characteristics and description of Axial screw terminal.

HC-650 Heavy-current inserts

Crimp terminal



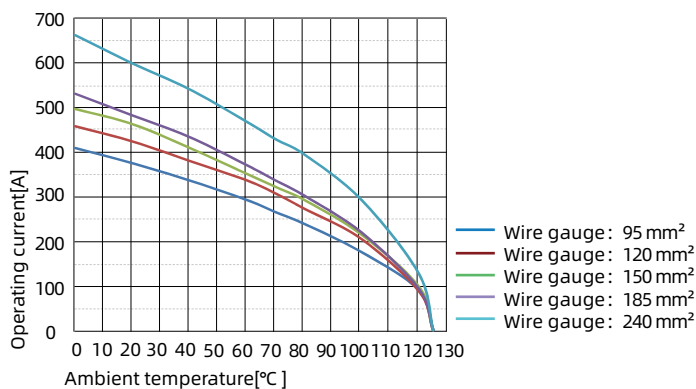
Technical characteristics

Specifications	DIN EN 60 664	DIN EN 61 984
Approvals		
Inserts		
Number of contacts	1,2,3	
Electrical data acc. to EN 61 984		
without adapter		
-Rated current	650A	
-Rated voltage	2000V	
-Rated impulse voltage	12kV	
-Pollution degree	3	
with adapter		
-Rated voltage	4000V	
-Rated impulse voltage	18kV	
-Pollution degree	3	
Insulation resistance	$\geq 10^{10}\Omega$	
Material	polyamide	
Limiting temperatures	-40°C ...+125°C	
Flammability acc. to UL 94	V0	
Mechanical working life(mating cycles)	≥ 500	
Contacts		
Material	copper alloy	
Surface	hard-silver plated	
Contact resistance	$\leq 0.3m\Omega$	
Crimp terminal		
- mm ²	240mm ²	
Max. insulation diameter	32mm	
Pressing force requirement	130kN	
Frame		
Material	stainless steel	
Tightening torque of the M3 fixing screws	0.5 Nm	
Tightening torque of the M4 fixing screws	1.5 Nm	
Tightening torque of the M6 fixing screws	4 Nm	

Current carrying capacity

The current carrying is limited by maximum temperature of materials for inserts and contacts including terminals

Control and test procedures according to DIN EN 60512-5



24B Pressure tight hoods/housings with 2 modules

Assembly Details



Cut the cable head square and strip the insulation



The copper strands must be cleaned from dirt and oxide film



Copper strands must not be twisted



Check if the cable strand is inserted completely into the crimp ferrule of the contact

HC-650 Heavy-current inserts

4000V 650A

Inserts

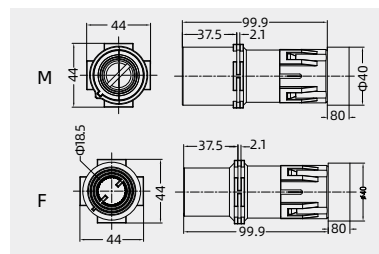
Hoods/Housings: size Pressure tight hoods/housings, please find the details on page 12-24-12-26.

Crimp terminal

Order crimp contacts separately



Insert	Designation	Order No.
Male	HC650-MC	131 001 010 0201
Female	HC650-FC	131 001 020 0201



Crimp contacts 650A (with crown spring), for HC650 inserts.

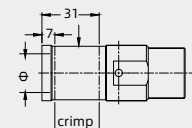
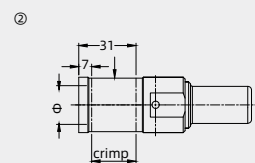
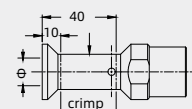
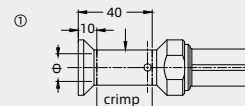
Contact resistance $\leq 0.3m\Omega$

silver plated



NO.	Male	Order No.	Female	Order No.
①	CHSM650-95	101 030 110 2002	CHSF650-95G	101 030 120 2002
①	CHSM650-120	101 030 110 2101	CHSF650-120G	101 030 120 2101
①	CHSM650-150	101 030 110 2202	CHSF650-150G	101 030 120 2202
②	CHSM650-185	101 030 110 2301	CHSF650-185G	101 030 120 2303
②	CHSM650-240	101 030 110 2401	CHSF650-240G	101 030 120 2403

For stranded wire acc. to IEC 60 228-5
Crimp zone acc. to DIN 46 235



Tools

Manual hydraulic clamp



Wire gauge	Designation	Order No.
10-240mm ²	TL05	198 001 001 0005

NO.	Wire gauge	Φ	Stripping length
①	95 mm ²	13.5 mm	42 mm
	120 mm ²	15.5 mm	42 mm
	150 mm ²	17 mm	42 mm
②	185 mm ²	19.4 mm	46 mm
	240 mm ²	22.5 mm	46 mm

Notes: The tools for crimp terminal may influence the product quality and stability. Please select the tools recognized by our company.

Pressure tight hoods/housings

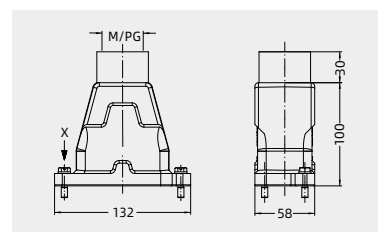
Degree of protection: IP68/IP69K

H version

Hoods, top entry, high construction



Thread	Designation	Order No.
	Screw locking	
M40	HP6B/H-TEH-2S-M40B	113 606 420 5105
	Toggle locking	
M40	HP6B/H-TEH-2T-M40B	113 606 440 5105

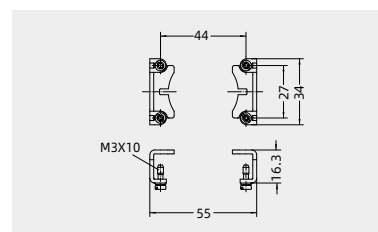


Frame, size 6B hoods/housings

for 1 pins



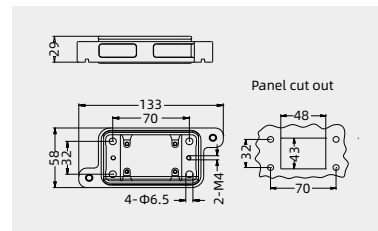
Describe for 1 pin	Designation	Order No.
	HF6B-001R	131 006 000 1002



Bulkhead mounted housings



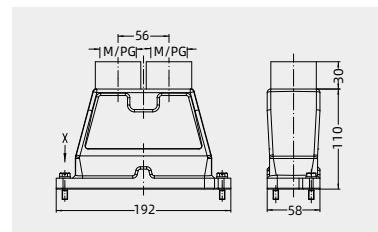
Thread	Designation	Order No.
	Screw locking	
---	HP6B/H-BKH-2H	113 606 320 1002
	Toggle locking	
---	HP6B/H-BKH-2T	113 606 340 1002



Hoods, top entry, high construction



Thread	Designation	Order No.
	Screw locking	
2M40	HP24B/H-TEH-2S-2M40B	113 624 420 5125
	Toggle locking	
2M40	HP24B/H-TEH-2T-2M40B	113 624 440 5125

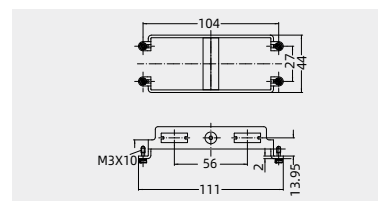


Frame, size 24B hoods/housings

for 2 pins



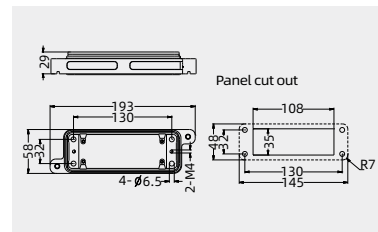
Describe for 2 pins	Designation	Order No.
	HF24B-002R	131 024 000 1002



Bulkhead mounted housings



Thread	Designation	Order No.
	Screw locking	
---	HP24B/H-BK-2H	113 624 320 1001
	Toggle locking	
---	HP24B/H-BK-2T	113 624 340 1001



Pressure tight hoods/housings

Degree of protection: IP68/IP69K

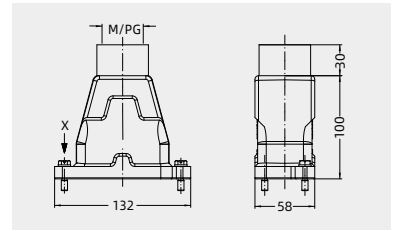
The following hoods/housings comply with the standards for rail transport industry in China.

H version

Hoods, top entry, high construction



Thread	Designation	Order No.
M40	Screw locking HP6B/H-TEH-4S-M40B	113 606 430 5105

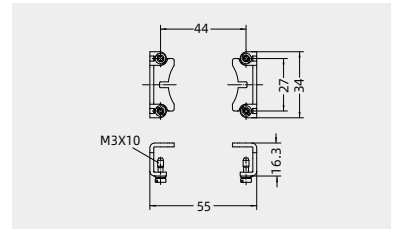


Frame, size 6B hoods/housings

for 1 pins



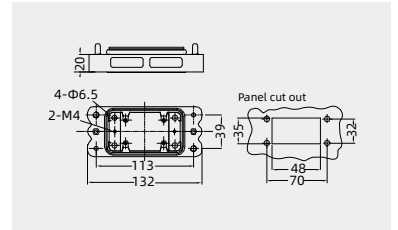
Describe for 1 pin	Designation	Order No.
	HF6B-001R	131 006 000 1002



Bulkhead mounted housings



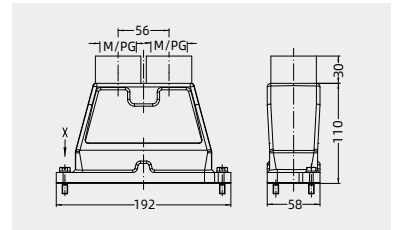
Thread	Designation	Order No.
---	Screw locking HP6B/H-BK-4H	113 606 330 1001



Hoods, top entry, high construction



Thread	Designation	Order No.
2M40	Screw locking HP24B/H-TEH-4S-2M40B	113 624 430 5125

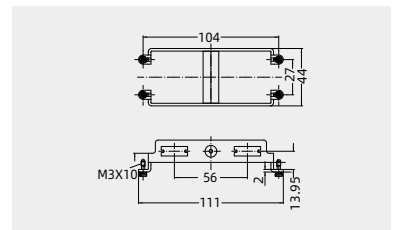


Frame, size 24B hoods/housings

for 2 pins



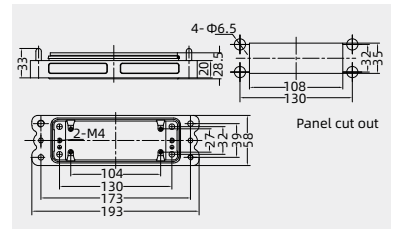
Describe for 2 pins	Designation	Order No.
	HF24B-002R	131 024 000 1002



Bulkhead mounted housings



Thread	Designation	Order No.
---	Screw locking HP24B/H-BK-4H	113 624 330 1001



Pressure tight hoods/housings
- enlarged

Degree of protection: IP68/IP69K

The following hoods/housings comply with the standards for rail transport industry in China.

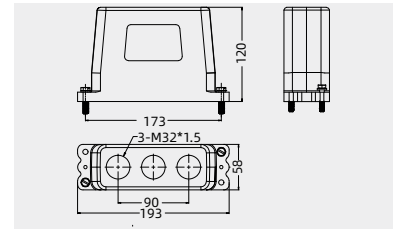
Only suitable for cable with 25mm diameter

H version

Hoods, top entry, high construction



Thread	Designation	Order No.
3M32	Screw locking	113 624 430 5137
	HP24B/HE-TEHH-4S-3M32	

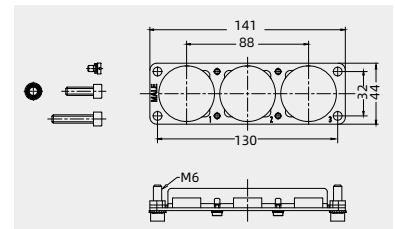


Male, Frame, size 24B hoods/housings

for 3 pins



Describe	Designation	Order No.
for 3 pins	HF24B-003R/E-M	131 024 000 1007

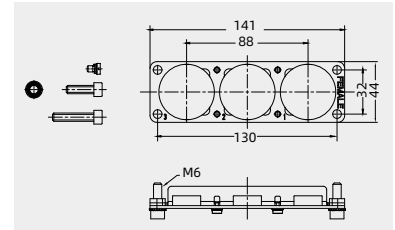


Female, Frame, size 24B hoods/housings

for 3 pins



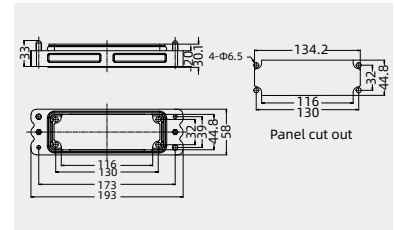
Describe	Designation	Order No.
for 3 pins	HF24B-003R/E-F	131 024 000 1008



Bulkhead mounted housings



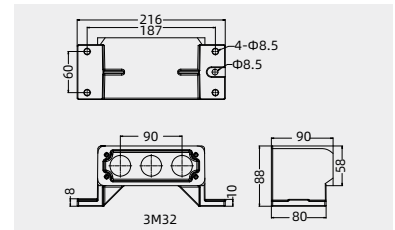
Thread	Designation	Order No.
---	Screw locking	113 624 330 1101
	HP24B/HE-BK-4H	



Surface mounted housings



Thread	Designation	Order No.
3M32	Screw locking	113 624 900 1137
	HP24B/HE-BK-SE-3M32	

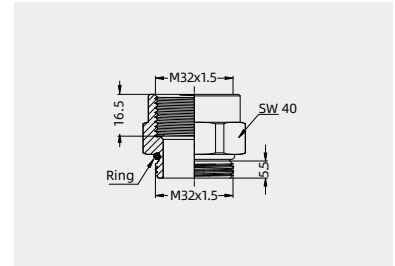


Hexagonal adapter[optional]

metal version
with O-Ring



Describe	Designation	Order No.
for 650 Hoods/Housings:	WNSC-M32M32/APT	102 103 019 1001
	HP24B/HE-TEHH-4S-3M32,	
	HP24B/HE-BK-SE-3M32	



Pressure tight hoods/housings

Degree of protection: IP68/IP69K

The following hoods/housings comply with the standards for rail transport industry in China.

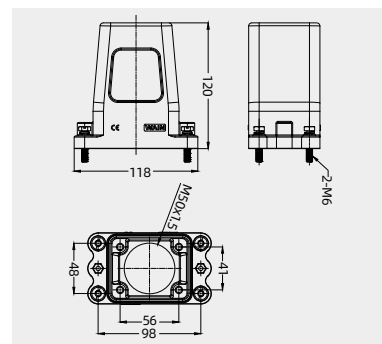


H version

Hoods, top entry, high construction



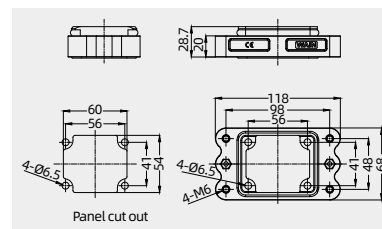
Thread	Designation	Order No.
M50	Screw locking	114 000 435 0001
	HP1T/H-TEH-4S-M50	



Bulkhead mounted housings



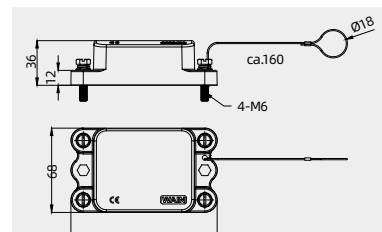
Thread	Designation	Order No.
---	Screw locking	114 000 335 0001
	HP1T/H-BK-4H	



Protective cover (housings)



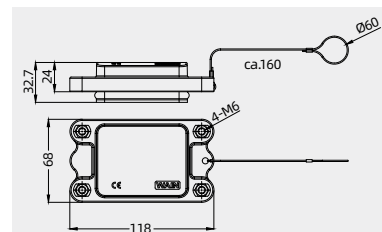
Thread	Designation	Order No.
---	Screw locking	114 000 135 9011
	HP1T/H-MCV-4S	



Protective cover (Hoods)



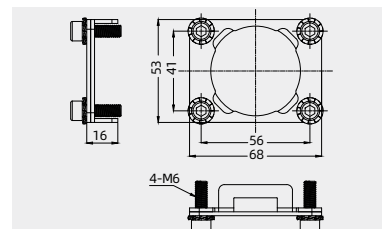
Thread	Designation	Order No.
---	Screw locking	114 000 135 9001
	HP1T/H-MCV-4H	



Frame



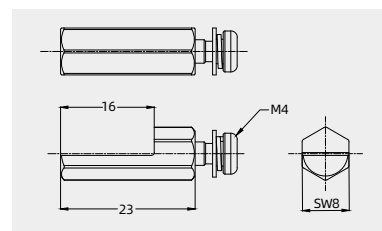
Describe for 1 pins	Designation	Order No.
	HF1T-001	131 001 099 0001



Coding element



Describe coding, pokayoke	Designation	Order No.
	CODE-HP	198 002 005 0038



HC-1000 Heavy-current inserts

4000V 1000A

Inserts

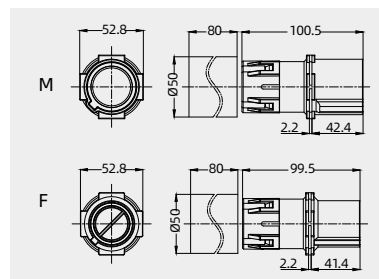


Crimp terminal

Order crimp contacts separately



Insert	Designation	Order No.
Male	HC1000-MC	131 001 010 0506
Female	HC1000-FC	131 001 020 0506



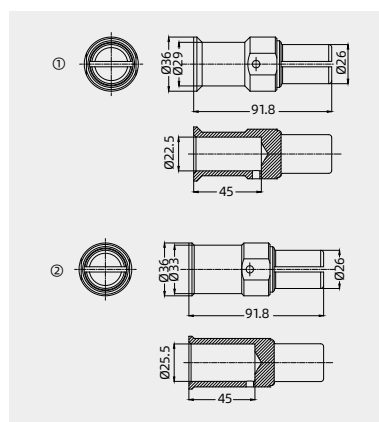
Crimp contacts 1000A

Crimp contacts 1000A

silver plated



NO.	Male	Order No.	Female	Order No.
①	CHSM1000-240	101 042 110 2401	CHSF1000-240G	101 042 120 2401
②	CHSM1000-300	101 042 110 3551	CHSF1000-300G	101 042 120 3551



Tools

Manual hydraulic clamp



Wire gauge	Designation	Order No.
10-300mm ²	TL05-EA	198 001 001 0020

HCM Series



HCM small-sized solder insert

Technical characteristics

Specifications	DIN EN 60 664 DIN EN 61 984
Approvals	
Inserts	
Electrical data acc. to EN 61 984	
Number of contacts	15、 18、 21
Rated current	5A
Rated voltage	50V
Rated impulse voltage	0.8KV
Pollution degree	3
Insulation resistance	$\geq 10^{10}\Omega$
Material	polycarbonate/thermoplastic resin
Limiting temperatures	-40°C - +125°C
Mechanical working life(mating cycles)	≥ 50
Contacts	
Material	copper alloy
Contact resistance	$\leq 3m\Omega$
Crimp terminal	
-mm ²	0.09-0.82mm ²
-AWG	28-18
Surface	hard-silver plated
	hard-gold plated
Solder terminal	Solder hole 0.8mm

HCM-015 small-sized solder insert

50V 5A

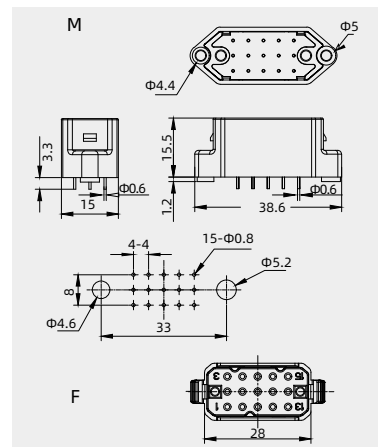
Inserts

Solder/Crimp terminal

Order crimp contacts separately



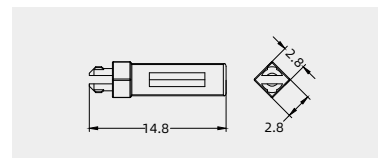
Insert	Color	Designation	Order No.
Male	Black	HCM-015-MT.BK	137 015 001 0002
	White	HCM-015-MT.WH	137 015 001 0003
	Grey	HCM-015-MT.GY	137 015 001 0004
Female	Blue	HCM-015-MT.BU	137 015 001 0005
	Black	HCM-015-FC.BK	137 015 020 0002
	White	HCM-015-FC.WH	137 015 020 0003
	Grey	HCM-015-FC.GY	137 015 020 0004
Blue	HCM-015-FC.BU	137 015 020 0005	



Coding element



Description	Designation	Order No.
coding, pokayoke	CODE-Q3	198 002 005 0034



Crimp contacts

Crimp contacts 5A

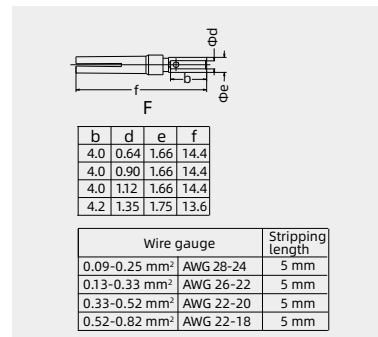
Contact resistance $\leq 3m\Omega$
silver plated



gold plated



Female	Order No.
CSSF-0.25	101 014 120 0101
CSSF-0.33	101 014 120 0201
CSSF-0.52	101 014 120 0501
CSSF-0.82	101 014 120 0701
CSGF-0.25	101 014 220 0101
CSGF-0.33	101 014 220 0201
CSGF-0.52	101 014 220 0501
CSGF-0.82	101 014 220 0701



Tools

Crimping tool



Contact removal tool



Wire gauge	Designation	Order No.
0.09-0.82mm ²	TL03	198 001 001 0002
Application	Designation	Order No.
for 5A crimp contact	TL08	198 001 000 0006

Notes: The tools for crimp terminal may influence the product quality and stability. Please select the tools recognized by our company.

HCM-018 small-sized solder insert

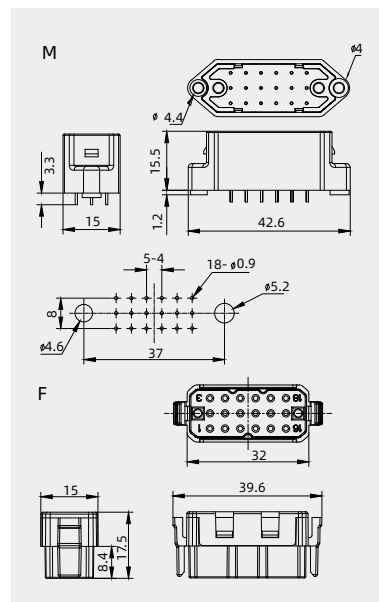
50V 5A

Inserts

Solder/Crimp terminal
Order crimp contacts separately



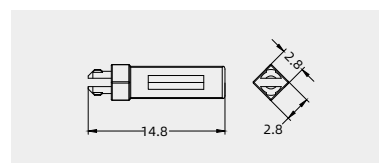
Insert	Color	Designation	Order No.
Male	Black	HCM-018-MT.BK	137 018 001 0002
	White	HCM-018-MT.WH	137 018 001 0003
	Grey	HCM-018-MT.GY	137 018 001 0004
Female	Black	HCM-018-MT.BU	137 018 001 0005
	Black	HCM-018-FC.BK	137 018 020 0002
	White	HCM-018-FC.WH	137 018 020 0003
	Grey	HCM-018-FC.GY	137 018 020 0004
Blue	HCM-018-FC.BU	137 018 020 0005	



Coding element



Description	Designation	Order No.
coding, pokayoke	CODE-Q3	198 002 005 0034



Crimp contacts

Crimp contacts 5A

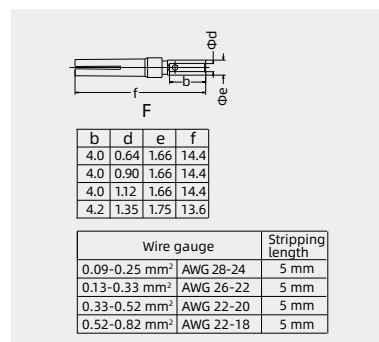
Contact resistance $\leq 3m\Omega$
silver plated



gold plated



Female	Order No.
CSSF-0.25	101 014 120 0101
CSSF-0.33	101 014 120 0201
CSSF-0.52	101 014 120 0501
CSSF-0.82	101 014 120 0701
CSGF-0.25	101 014 220 0101
CSGF-0.33	101 014 220 0201
CSGF-0.52	101 014 220 0501
CSGF-0.82	101 014 220 0701



Tools

Crimping tool



Contact removal tool



Wire gauge	Designation	Order No.
0.09-0.82mm ²	TL03	198 001 001 0002
Application	Designation	Order No.
for 5A crimp contact	TL08	198 001 000 0006

Notes: The tools for crimp terminal may influence the product quality and stability. Please select the tools recognized by our company.

HCM-021 small-sized solder insert

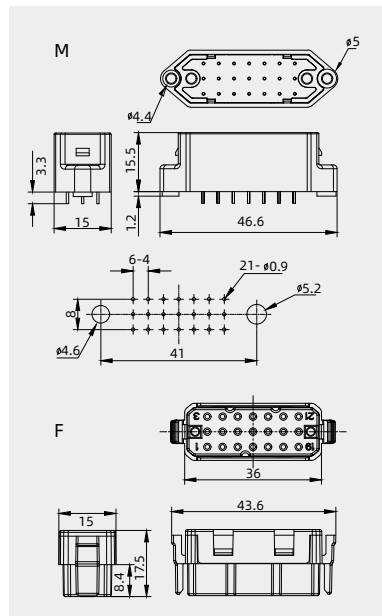
50V 5A

Inserts

Solder/Crimp terminal
Order crimp contacts separately



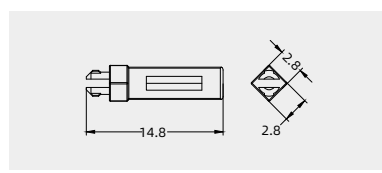
Insert	Color	Designation	Order No.
Male	Black	HCM-021-MT.BK	137 021 001 0002
	White	HCM-021-MT.WH	137 021 001 0003
	Grey	HCM-021-MT.GY	137 021 001 0004
	Blue	HCM-021-MT.BU	137 021 001 0005
	Red	HCM-021-MT.RD	137 021 001 0006
	Yellow	HCM-021-MT.YE	137 021 001 0007
	Green	HCM-021-MT.GN	137 021 001 0008
Female	Black	HCM-021-FC.BK	137 021 020 0002
	White	HCM-021-FC.WH	137 021 020 0003
	Grey	HCM-021-FC.GY	137 021 020 0004
	Blue	HCM-021-FC.BU	137 021 020 0005
	Red	HCM-021-FC.RD	137 021 020 0006
	Yellow	HCM-021-FC.YE	137 021 020 0007
	Green	HCM-021-FC.GN	137 021 020 0008



Coding element



Description	Designation	Order No.
coding, pokayoke	CODE-Q3	198 002 005 0034



Crimp contacts

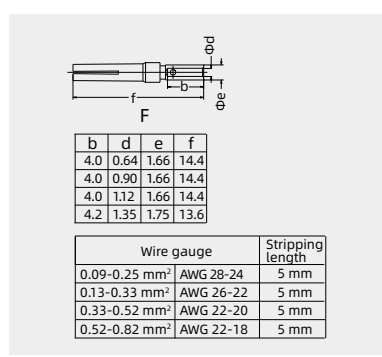
Crimp contacts 5A
Contact resistance $\leq 3m\Omega$
silver plated



gold plated



Female	Order No.
CSSF-0.25	101 014 120 0101
CSSF-0.33	101 014 120 0201
CSSF-0.52	101 014 120 0501
CSSF-0.82	101 014 120 0701
CSGF-0.25	101 014 220 0101
CSGF-0.33	101 014 220 0201
CSGF-0.52	101 014 220 0501
CSGF-0.82	101 014 220 0701



Tools

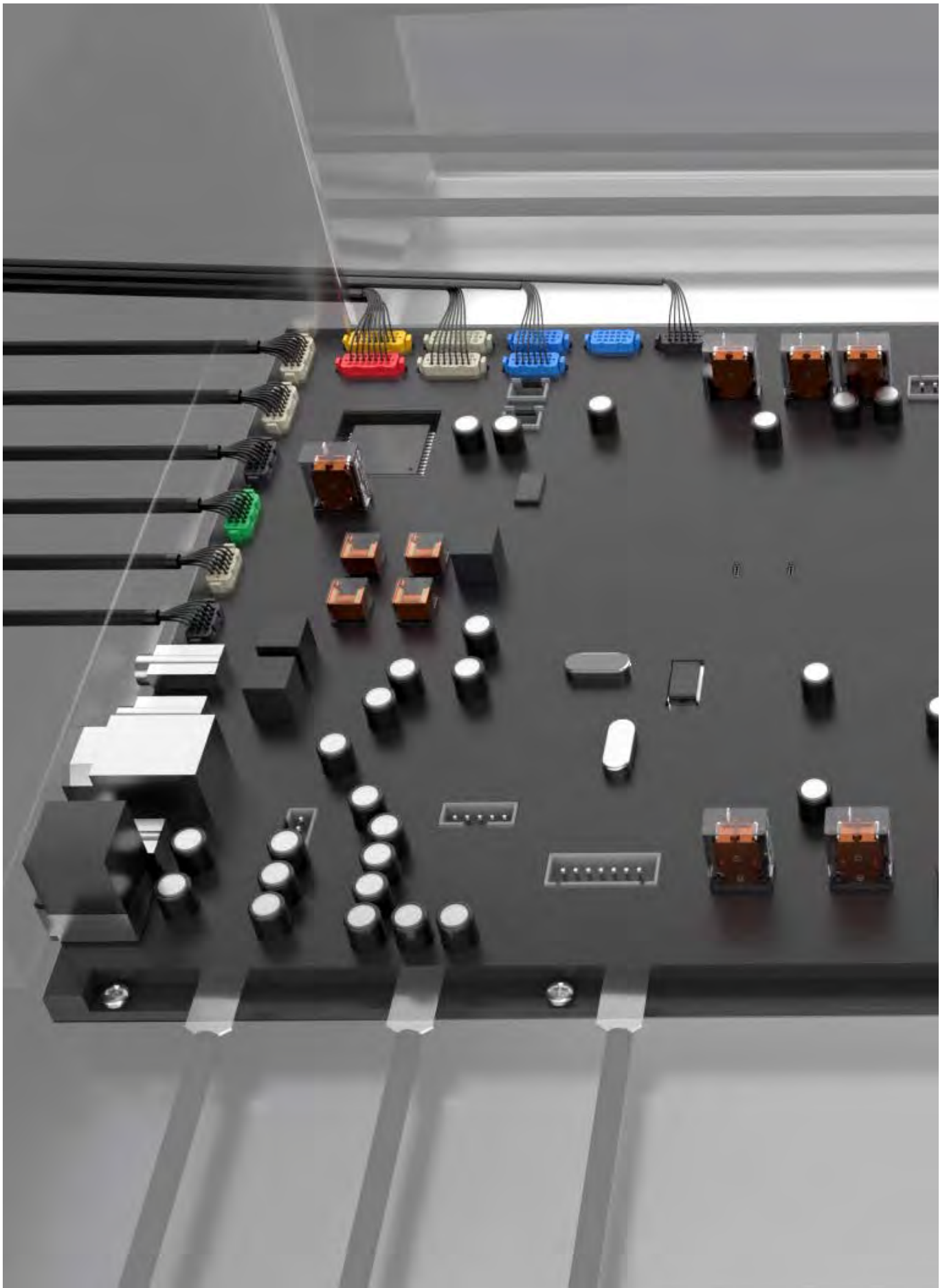
Crimping tool

Contact removal tool



Wire gauge	Designation	Order No.
0.09-0.82mm ²	TL03	198 001 001 0002
Application	Designation	Order No.
for 5A crimp contact	TL08	198 001 000 0006

Notes: The tools for crimp terminal may influence the product quality and stability. Please select the tools recognized by our company.



HCM

Crimp contacts



Crimp contacts

Crimp contacts 5A-Standard, for HM, EMC-008, D-SUB, HR23 inserts.

Contact resistance $\leq 3m\Omega$

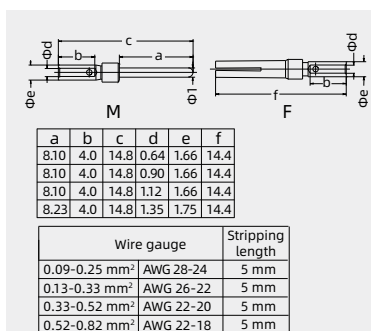
silver plated



gold plated



Male	Order No.	Female	Order No.
CSSM-0.25	101 014 110 0101	CSSF-0.25	101 014 120 0101
CSSM-0.33	101 014 110 0201	CSSF-0.33	101 014 120 0201
CSSM-0.52	101 014 110 0501	CSSF-0.52	101 014 120 0501
CSSM-0.82	101 014 110 0701	CSSF-0.82	101 014 120 0701
CSGM-0.25	101 014 210 0101	CSGF-0.25	101 014 220 0101
CSGM-0.33	101 014 210 0201	CSGF-0.33	101 014 220 0201
CSGM-0.52	101 014 210 0501	CSGF-0.52	101 014 220 0501
CSGM-0.82	101 014 210 0701	CSGF-0.82	101 014 220 0701



Crimp contacts 10A-Standard, for HD, HDD, HM, HK, HQ inserts.

Contact resistance $\leq 3m\Omega$

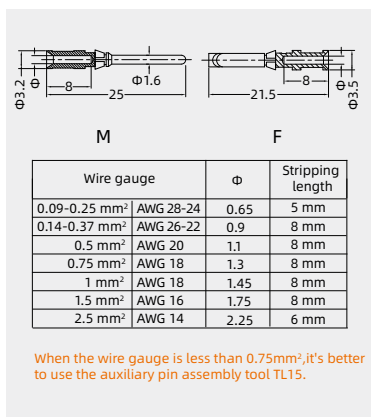
silver plated



gold plated



Male	Order No.	Female	Order No.
CDSM-0.25	101 017 110 0101	CDSF-0.25	101 017 120 0101
CDSM-0.37	101 017 110 0301	CDSF-0.37	101 017 120 0301
CDSM-0.50	101 017 110 0401	CDSF-0.50	101 017 120 0401
CDSM-0.75	101 017 110 0601	CDSF-0.75	101 017 120 0601
CDSM-1.0	101 017 110 0801	CDSF-1.0	101 017 120 0801
CDSM-1.5	101 017 110 0901	CDSF-1.5	101 017 120 0901
CDSM-2.5	101 017 110 1001	CDSF-2.5	101 017 120 1001
CDGM-0.25	101 017 210 0101	CDGF-0.25	101 017 220 0101
CDGM-0.37	101 017 210 0301	CDGF-0.37	101 017 220 0301
CDGM-0.50	101 017 210 0401	CDGF-0.50	101 017 220 0401
CDGM-0.75	101 017 210 0601	CDGF-0.75	101 017 220 0601
CDGM-1.0	101 017 210 0801	CDGF-1.0	101 017 220 0801
CDGM-1.5	101 017 210 0901	CDGF-1.5	101 017 220 0901
CDGM-2.5	101 017 210 1001	CDGF-2.5	101 017 220 1001



Crimp contacts 10A-Enhanced I (prevent deflected insertion), HD, HDD, HM, HK, HQ inserts.

Contact resistance $\leq 3m\Omega$

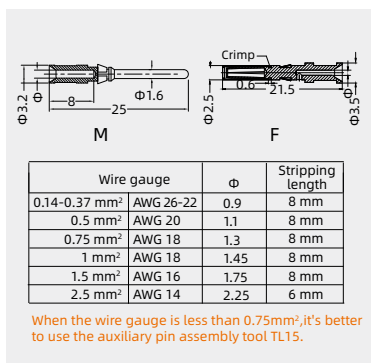
silver plated



gold plated



Male	Order No.	Female	Order No.
CDSM-0.37	101 017 110 0301	CDSF-0.37C	101 017 120 0306
CDSM-0.50	101 017 110 0401	CDSF-0.50C	101 017 120 0406
CDSM-0.75	101 017 110 0601	CDSF-0.75C	101 017 120 0606
CDSM-1.0	101 017 110 0801	CDSF-1.0C	101 017 120 0806
CDSM-1.5	101 017 110 0901	CDSF-1.5C	101 017 120 0906
CDSM-2.5	101 017 110 1001	CDSF-2.5C	101 017 120 1006
CDGM-0.37	101 017 210 0301	CDGF-0.37C	101 017 220 0306
CDGM-0.50	101 017 210 0401	CDGF-0.50C	101 017 220 0406
CDGM-0.75	101 017 210 0601	CDGF-0.75C	101 017 220 0606
CDGM-1.0	101 017 210 0801	CDGF-1.0C	101 017 220 0806
CDGM-1.5	101 017 210 0901	CDGF-1.5C	101 017 220 0906
CDGM-2.5	101 017 210 1001	CDGF-2.5C	101 017 220 1006



Crimp contacts 10A-Enhanced II (prevent deflected insertion,vibration resistance), for HD, HDD, HM, HK, HQ inserts.

Contact resistance $\leq 3m\Omega$

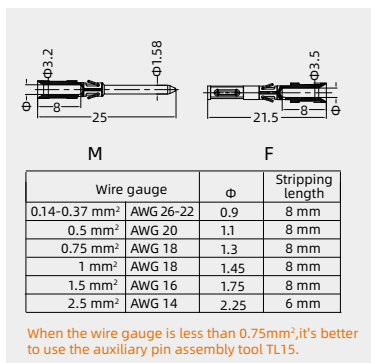
silver plated



gold plated



Male	Order No.	Female	Order No.
CDSM-0.37B	101 017 110 0303	CDSF-0.37B	101 017 120 0303
CDSM-0.50B	101 017 110 0403	CDSF-0.50B	101 017 120 0403
CDSM-0.75B	101 017 110 0603	CDSF-0.75B	101 017 120 0603
CDSM-1.0B	101 017 110 0803	CDSF-1.0B	101 017 120 0803
CDSM-1.5B	101 017 110 0903	CDSF-1.5B	101 017 120 0903
CDSM-2.5B	101 017 110 1003	CDSF-2.5B	101 017 120 1003
CDGM-0.37B	101 017 210 0303	CDGF-0.37B	101 017 220 0303
CDGM-0.50B	101 017 210 0403	CDGF-0.50B	101 017 220 0403
CDGM-0.75B	101 017 210 0603	CDGF-0.75B	101 017 220 0603
CDGM-1.0B	101 017 210 0803	CDGF-1.0B	101 017 220 0803
CDGM-1.5B	101 017 210 0903	CDGF-1.5B	101 017 220 0903
CDGM-2.5B	101 017 210 1003	CDGF-2.5B	101 017 220 1003



Notes: The tools for crimp terminal may influence the product quality and stability. Please select the tools recognized by our company.

Crimp contacts

Crimp contacts 10A-Enhanced III (recommended use in rail transport industry), for HD, HDD, HM, HK, HQ inserts.

Contact resistance $\leq 3\text{m}\Omega$

silver plated

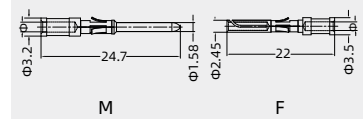


gold plated



Male	Order No.	Female	Order No.
ZCDSM-0.37	101 017 110 0302	ZCDSF-0.37	101 017 120 0302
ZCDSM-0.50	101 017 110 0402	ZCDSF-0.50	101 017 120 0402
ZCDSM-0.75	101 017 110 0602	ZCDSF-0.75	101 017 120 0602
ZCDSM-1.0	101 017 110 0802	ZCDSF-1.0	101 017 120 0802
ZCDSM-1.5	101 017 110 0902	ZCDSF-1.5	101 017 120 0902
ZCDSM-2.5	101 017 110 1002	ZCDSF-2.5	101 017 120 1002
ZCDGM-0.37	101 017 210 0302	ZCDGF-0.37	101 017 220 0302
ZCDGM-0.50	101 017 210 0402	ZCDGF-0.50	101 017 220 0402
ZCDGM-0.75	101 017 210 0602	ZCDGF-0.75	101 017 220 0602
ZCDGM-1.0	101 017 210 0802	ZCDGF-1.0	101 017 220 0802
ZCDGM-1.5	101 017 210 0902	ZCDGF-1.5	101 017 220 0902
ZCDGM-2.5	101 017 210 1002	ZCDGF-2.5	101 017 220 1002

Can not be compatible use with above three 10A Crimp contacts.



Wire gauge	ϕ	Stripping length
0.14-0.37 mm ²	AWG 26-22	0.9
0.5 mm ²	AWG 20	1.1
0.75 mm ²	AWG 18	1.3
1 mm ²	AWG 18	1.45
1.5 mm ²	AWG 16	1.75
2.5 mm ²	AWG 14	2.25

When the wire gauge is less than 0.75mm², it's better to use the auxiliary pin assembly tool TL15.

Stamped contacts 10A, for HD-040-MC/P, HD-040-FC/P, HD-064-MC/P, HD-064-FC/P inserts.

Contact resistance $\leq 5\text{m}\Omega$

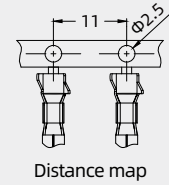
silver plated



coil stock



Wire gauge	Contacts	Female	Order No.
0.5-1.5mm ²	male	CDSM-1.5P	101 017 110 0905
	female	CDSF-1.5P	101 017 120 0905
1.5-2.5mm ²	male	CDSM-2.5P	101 017 110 1005
	female	CDSF-2.5P	101 017 120 1005



Notes: The tools for crimp terminal may influence the product quality and stability. Please select the tools recognized by our company.

Crimp contacts

Crimp contacts 16A-Standard, for HAC, HEC, HEE, HM, HK inserts.

Contact resistance $\leq 1\text{m}\Omega$

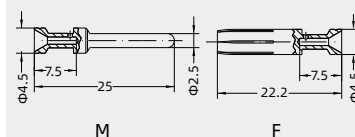
silver plated



gold plated



Male	Order No.	Female	Order No.
CESM-0.37	101 019 110 0301	CESF-0.37	101 019 120 0301
CESM-0.50	101 019 110 0401	CESF-0.50	101 019 120 0401
CESM-0.75	101 019 110 0601	CESF-0.75	101 019 120 0601
CESM-1.0	101 019 110 0801	CESF-1.0	101 019 120 0801
CESM-1.5	101 019 110 0901	CESF-1.5	101 019 120 0901
CESM-2.5	101 019 110 1001	CESF-2.5	101 019 120 1001
CESM-3.0	101 019 110 1101	CESF-3.0	101 019 120 1101
CESM-4.0	101 019 110 1201	CESF-4.0	101 019 120 1201
CEGM-0.37	101 019 210 0301	CEGF-0.37	101 019 220 0301
CEGM-0.50	101 019 210 0401	CEGF-0.50	101 019 220 0401
CEGM-0.75	101 019 210 0601	CEGF-0.75	101 019 220 0601
CEGM-1.0	101 019 210 0801	CEGF-1.0	101 019 220 0801
CEGM-1.5	101 019 210 0901	CEGF-1.5	101 019 220 0901
CEGM-2.5	101 019 210 1001	CEGF-2.5	101 019 220 1001
CEGM-3.0	101 019 210 1101	CEGF-3.0	101 019 220 1101
CEGM-4.0	101 019 210 1201	CEGF-4.0	101 019 220 1201



Identification	Wire gauge	Stripping length	
no groove	0.14-0.37 mm ²	AWG 26-22	7.5mm
no groove	0.5 mm ²	AWG 20	7.5mm
1 groove	0.75 mm ²	AWG 18	7.5mm
1 groove	1 mm ²	AWG 18	7.5mm
2 groove	1.5 mm ²	AWG 16	7.5mm
3 groove	2.5 mm ²	AWG 14	7.5mm
wide groove	3 mm ²	AWG 12	7.5mm
no groove	4 mm ²	AWG 12	7.5mm

When the wire gauge is less than 0.75mm², it's better to use the auxiliary pin assembly tool TL15.

Crimp contacts 16A-Enhanced (prevent deflected insertion , with crown spring), for HAC, HEC, HEE, HM, HK inserts.

Contact resistance $\leq 1\text{m}\Omega$

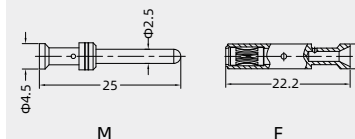
silver plated



gold plated



Male	Order No.	Female	Order No.
CESM-0.37	101 019 110 0301	ZCESF-0.37G	101 019 120 0311
CESM-0.50	101 019 110 0401	ZCESF-0.50G	101 019 120 0411
CESM-0.75	101 019 110 0601	ZCESF-0.75G	101 019 120 0611
CESM-1.0	101 019 110 0801	ZCESF-1.0G	101 019 120 0811
CESM-1.5	101 019 110 0901	ZCESF-1.5G	101 019 120 0911
CESM-2.5	101 019 110 1001	ZCESF-2.5G	101 019 120 1011
CESM-3.0	101 019 110 1101	ZCESF-3.0G	101 019 120 1111
CESM-4.0	101 019 110 1201	ZCESF-4.0G	101 019 120 1211
CEGM-0.37	101 019 210 0301	ZCEGF-0.37G	101 019 220 0311
CEGM-0.50	101 019 210 0401	ZCEGF-0.50G	101 019 220 0411
CEGM-0.75	101 019 210 0601	ZCEGF-0.75G	101 019 220 0611
CEGM-1.0	101 019 210 0801	ZCEGF-1.0G	101 019 220 0811
CEGM-1.5	101 019 210 0901	ZCEGF-1.5G	101 019 220 0911
CEGM-2.5	101 019 210 1001	ZCEGF-2.5G	101 019 220 1011
CEGM-3.0	101 019 210 1101	ZCEGF-3.0G	101 019 220 1111
CEGM-4.0	101 019 210 1201	ZCEGF-4.0G	101 019 220 1211



Identification	Wire gauge	Stripping length	
no groove	0.14-0.37 mm ²	AWG 26-22	7.5mm
no groove	0.5 mm ²	AWG 20	7.5mm
1 groove	0.75 mm ²	AWG 18	7.5mm
1 groove	1 mm ²	AWG 18	7.5mm
2 groove	1.5 mm ²	AWG 16	7.5mm
3 groove	2.5 mm ²	AWG 14	7.5mm
wide groove	3 mm ²	AWG 12	7.5mm
no groove	4 mm ²	AWG 12	7.5mm

When the wire gauge is less than 0.75mm², it's better to use the auxiliary pin assembly tool TL15.

Crimp contacts 16A-Enhanced III (prevent deflected insertion, with crown spring, recommended use in rail transport industry, vibration resistance), for HE-006-MC/N/FC/N, HEE-046-MC/N/FC/N inserts).

Contact resistance $\leq 1\text{m}\Omega$

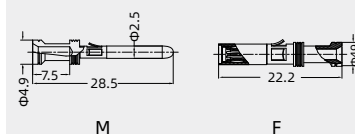
silver plated



gold plated



Male	Order No.	Female	Order No.
CESM-0.37/N	101 019 110 0302	CESF-0.37G/N	101 019 120 0302
CESM-0.50/N	101 019 110 0402	CESF-0.50G/N	101 019 120 0402
CESM-0.75/N	101 019 110 0602	CESF-0.75G/N	101 019 120 0602
CESM-1.0/N	101 019 110 0802	CESF-1.0G/N	101 019 120 0802
CESM-1.5/N	101 019 110 0902	CESF-1.5G/N	101 019 120 0902
CESM-2.5/N	101 019 110 1002	CESF-2.5G/N	101 019 120 1002
CESM-3.0/N	101 019 110 1102	CESF-3.0G/N	101 019 120 1102
CESM-4.0/N	101 019 110 1202	CESF-4.0G/N	101 019 120 1202
CEGM-0.37/N	101 019 210 0302	CEGF-0.37G/N	101 019 220 0302
CEGM-0.50/N	101 019 210 0402	CEGF-0.50G/N	101 019 220 0402
CEGM-0.75/N	101 019 210 0602	CEGF-0.75G/N	101 019 220 0602
CEGM-1.0/N	101 019 210 0802	CEGF-1.0G/N	101 019 220 0802
CEGM-1.5/N	101 019 210 0902	CEGF-1.5G/N	101 019 220 0902
CEGM-2.5/N	101 019 210 1002	CEGF-2.5G/N	101 019 220 1002
CEGM-3.0/N	101 019 210 1102	CEGF-3.0G/N	101 019 220 1102
CEGM-4.0/N	101 019 210 1202	CEGF-4.0G/N	101 019 220 1202



Identification	Wire gauge	Stripping length	
no groove	0.14-0.37 mm ²	AWG 26-22	7.5mm
no groove	0.5 mm ²	AWG 20	7.5mm
1 groove	0.75 mm ²	AWG 18	7.5mm
1 groove	1 mm ²	AWG 18	7.5mm
2 groove	1.5 mm ²	AWG 16	7.5mm
3 groove	2.5 mm ²	AWG 14	7.5mm
wide groove	3 mm ²	AWG 12	7.5mm
no groove	4 mm ²	AWG 12	7.5mm

When the wire gauge is less than 0.75mm², it's better to use the auxiliary pin assembly tool TL15.

Can not be compatible use with above two 10A Crimp contacts.
Male contact removal tool: TL00
Female contact removal tool: TL09

Notes: The tools for crimp terminal may influence the product quality and stability. Please select the tools recognized by our company.

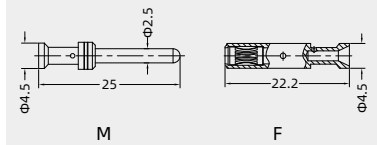
Crimp contacts

Crimp contacts 16A - high mating cycles(mating cycles ≥ 5000)Contact resistance $\leq 1\text{m}\Omega$

gold plated



Male	Order No.	Female	Order No.
CEGMH-0.37	101 019 210 0309	CEGFH-0.37G	101 019 220 0309
CEGMH-0.50	101 019 210 0409	CEGFH-0.50G	101 019 220 0409
CEGMH-0.75	101 019 210 0609	CEGFH-0.75G	101 019 220 0609
CEGMH-1.0	101 019 210 0809	CEGFH-1.0G	101 019 220 0809
CEGMH-1.5	101 019 210 0909	CEGFH-1.5G	101 019 220 0909
CEGMH-2.5	101 019 210 1009	CEGFH-2.5G	101 019 220 1009
CEGMH-3.0	101 019 210 1109	CEGFH-3.0G	101 019 220 1109
CEGMH-4.0	101 019 210 1209	CEGFH-4.0G	101 019 220 1209



Identification	Wire gauge	Stripping length	
no groove	0.14-0.37 mm ²	AWG 26-22	7.5mm
no groove	0.5 mm ²	AWG 20	7.5mm
1 groove	0.75 mm ²	AWG 18	7.5mm
1 groove	1 mm ²	AWG 18	7.5mm
2 groove	1.5 mm ²	AWG 16	7.5mm
3 groove	2.5 mm ²	AWG 14	7.5mm
wide groove	3 mm ²	AWG 12	7.5mm
no groove	4 mm ²	AWG 12	7.5mm

When the wire gauge is less than 0.75mm², it's better to use the auxiliary pin assembly tool TL15.

Notes: The tools for crimp terminal may influence the product quality and stability. Please select the tools recognized by our company.

Crimp contacts

Crimp contacts 40A-Standard, for HM, HK inserts.

Contact resistance $\leq 1\text{m}\Omega$

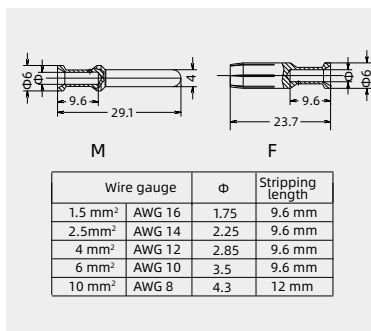
silver plated



gold plated



Male	Order No.	Female	Order No.
CCSM-1.5	101 023 110 0901	CCSF-1.5	101 023 120 0901
CCSM-2.5	101 023 110 1001	CCSF-2.5	101 023 120 1001
CCSM-4.0	101 023 110 1201	CCSF-4.0	101 023 120 1201
CCSM-6.0	101 023 110 1301	CCSF-6.0	101 023 120 1301
CCSM-10.0	101 023 110 1401	CCSF-10.0	101 023 120 1401
CCGM-1.5	101 023 210 0901	CCGF-1.5	101 023 220 0901
CCGM-2.5	101 023 210 1001	CCGF-2.5	101 023 220 1001
CCGM-4.0	101 023 210 1201	CCGF-4.0	101 023 220 1201
CCGM-6.0	101 023 210 1301	CCGF-6.0	101 023 220 1301
CCGM-10.0	101 023 210 1401	CCGF-10.0	101 023 220 1401



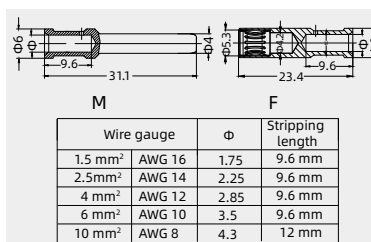
Crimp contacts 40A-Enhanced (prevent deflected insertion, high mating cycle, with crown spring), for HK inserts.

Contact resistance $\leq 1\text{m}\Omega$

gold plated



Male	Order No.	Female	Order No.
CCGMH-1.5	101 023 210 0909	CCGFH-1.5G	101 023 220 0909
CCGMH-2.5	101 023 210 1009	CCGFH-2.5G	101 023 220 1009
CCGMH-4.0	101 023 210 1209	CCGFH-4.0G	101 023 220 1209
CCGMH-6.0	101 023 210 1309	CCGFH-6.0G	101 023 220 1309
CCGMH-10.0	101 023 210 1409	CCGFH-10.0G	101 023 220 1409



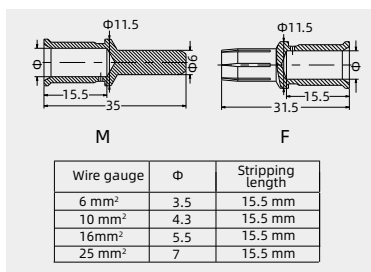
Crimp contacts 70A, for HM inserts.

Contact resistance $\leq 0.5\text{m}\Omega$

silver plated



Male	Order No.	Female	Order No.
CKSM70-6	101 034 110 1301	CKSF70-6	101 034 120 1301
CKSM70-10	101 034 110 1401	CKSF70-10	101 034 120 1401
CKSM70-16	101 034 110 1501	CKSF70-16	101 034 120 1501
CKSM70-25	101 034 110 1601	CKSF70-25	101 034 120 1601



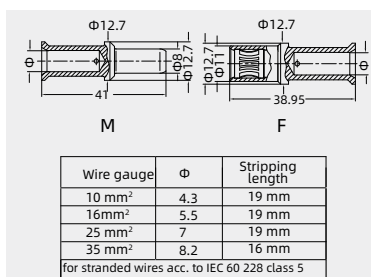
Crimp contacts 100A (with crown spring), for HM, HK inserts.

Contact resistance $\leq 0.3\text{m}\Omega$

silver plated



Male	Order No.	Female	Order No.
CKSM-10	101 026 110 1401	CKSF-10G	101 026 120 1403
CKSM-16	101 026 110 1501	CKSF-16G	101 026 120 1503
CKSM-25	101 026 110 1601	CKSF-25G	101 026 120 1603
CKSM-35	101 026 110 1701	CKSF-35G	101 026 120 1703



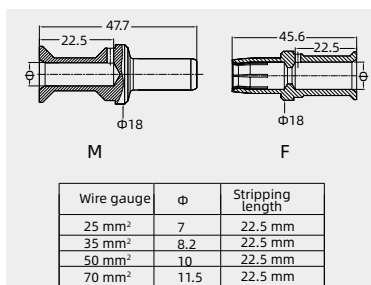
Crimp contacts 200A, for HM inserts.

Contact resistance $\leq 0.3\text{m}\Omega$

silver plated



Male	Order No.	Female	Order No.
CHSM200-25	101 027 110 1601	CHSF200-25	101 027 120 1601
CHSM200-35	101 027 110 1701	CHSF200-35	101 027 120 1701
CHSM200-50	101 027 110 1801	CHSF200-50	101 027 120 1801
CHSM200-70	101 027 110 1901	CHSF200-70	101 027 120 1901



Notes: The tools for crimp terminal may influence the product quality and stability. Please select the tools recognized by our company.

Crimp contacts

Crimp contacts 250A (with crown spring), for HC250 inserts.

Contact resistance $\leq 0.3m\Omega$

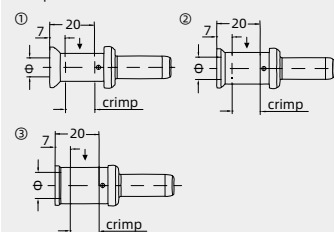
silver plated



No.	Male	Order No.	Female	Order No.
①	CHSM250-35	101 028 110 1701	CHSF250-35G	101 028 120 1703
②	CHSM250-50	101 028 110 1801	CHSF250-50G	101 028 120 1803
③	CHSM250-70	101 028 110 1901	CHSF250-70G	101 028 120 1903

For stranded wire acc. to IEC 60 228-5

Crimp zone acc. to DIN 46 235



NO.	Wire gauge	Φ	Stripping length
①	35 mm ²	8.45 mm	22 mm
②	50 mm ²	10.25mm	22 mm
③	70 mm ²	11.75 mm	22 mm

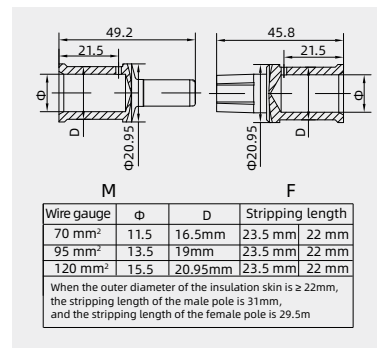
Crimp contacts 300A , for H2MK 300 inserts.

Contact resistance $\leq 0.3m\Omega$

silver plated



Male	Order No.	Order No.	订货号
CHSM300-70	101 041 110 1950	CHSF300-70	101 041 120 1950
CHSM300-95	101 041 110 2050	CHSF300-95	101 041 120 2050
CHSM300-120	101 041 110 2150	CHSF300-120	101 041 120 2150



Wire gauge	Φ	D	Stripping length
70 mm ²	11.5	16.5mm	23.5 mm 22 mm
95 mm ²	13.5	19mm	23.5 mm 22 mm
120 mm ²	15.5	20,95mm	23.5 mm 22 mm

When the outer diameter of the insulation skin is ≥ 22 mm, the stripping length of the male pole is 31mm, and the stripping length of the female pole is 29.5m

Crimp contacts 350A (with crown spring), for HC350 inserts.

Contact resistance $\leq 0.3m\Omega$

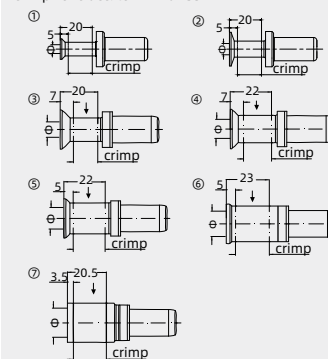
silver plated



No.	Male	Order No.	Female	Order No.
①	CHSM350-16	101 029 110 1501	CHSF350-16G	101 029 120 1501
②	CHSM350-25	101 029 110 1600	CHSF350-25G	101 029 120 1601
③	CHSM350-35	101 029 110 1701	CHSF350-35G	101 029 120 1703
④	CHSM350-50	101 029 110 1801	CHSF350-50G	101 029 120 1803
⑤	CHSM350-70	101 029 110 1901	CHSF350-70G	101 029 120 1903
⑥	CHSM350-95	101 029 110 2001	CHSF350-95G	101 029 120 2003
⑦	CHSM350-120	101 029 110 2101	CHSF350-120G	101 029 120 2103

For stranded wire acc. to IEC 60 228-5

Crimp zone acc. to DIN 46 235



NO.	Wire gauge	Φ	Stripping length
①	16 mm ²	5.5 mm	26 mm
②	25 mm ²	7 mm	26 mm
③	35 mm ²	8.2 mm	26 mm
④	50 mm ²	10.0mm	28 mm
⑤	70 mm ²	11.5 mm	28 mm
⑥	95 mm ²	13.5 mm	30 mm
⑦	120 mm ²	15.5 mm	24 mm

Notes: The tools for crimp terminal may influence the product quality and stability. Please select the tools recognized by our company.

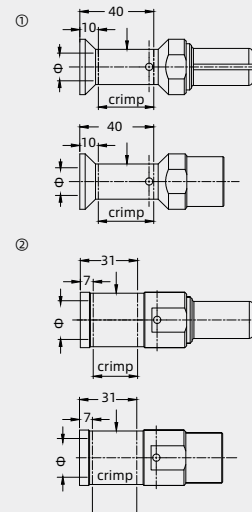
Crimp contacts

Crimp contacts 650A (with crown spring), for HC650 inserts.

Contact resistance $\leq 0.3\text{m}\Omega$

silver plated

No.	Male	Order No.	Female	Order No.
①	CHSM650-95	101 030 110 2002	CHSF650-95G	101 030 120 2002
①	CHSM650-120	101 030 110 2101	CHSF650-120G	101 030 120 2101
①	CHSM650-150	101 030 110 2202	CHSF650-150G	101 030 120 2202
②	CHSM650-185	101 030 110 2301	CHSF650-185G	101 030 120 2303
②	CHSM650-240	101 030 110 2401	CHSF650-240G	101 030 120 2403

For stranded wire acc. to IEC 60 228-5
Crimp zone acc. to DIN 46 235

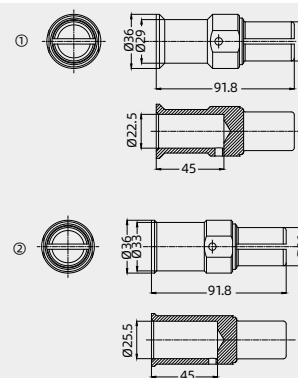
NO.	Wire gauge	Φ	Stripping length
①	95 mm ²	13.5 mm	42 mm
	120 mm ²	15.5 mm	42 mm
	150 mm ²	17 mm	42 mm
②	185 mm ²	19.4 mm	46 mm
	240 mm ²	22.5 mm	46 mm

Crimp contacts 1000A , for HC1000 inserts.

Contact resistance $\leq 0.3\text{m}\Omega$

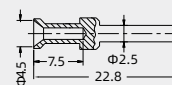
silver plated

No.	Male	Order No.	Female	Order No.
①	CHSM1000-240	101 042 110 2401	CHSF1000-240G	101 042 120 2401
②	CHSM1000-300	101 042 110 3551	CHSF1000-300G	101 042 120 3551

Relay contact²⁾

silver plated

Wire gauge(mm ²)	Designation	Order No.
1	CESM-1.0R	101 019 110 0808
1.5	CESM-1.5R	101 019 110 0908
2.5	CESM-2.5R	101 019 110 1008










Identification	Wire gauge	Stripping length
1 groove	1 mm ² AWG 18	7.5mm
2 groove	1.5 mm ² AWG 16	7.5mm
3 groove	2.5 mm ² AWG 14	7.5mm

Notes: The tools for crimp terminal may influence the product quality and stability. Please select the tools recognized by our company.

2) Delay pin is relatively short, delay contact, protect circuit to avoid electric arc. (General use: connect electrical signal with conventional pin, connect control signal with delay pin, contact of delay pin is later than that of conventional pin. After contacting delay pin in the insertion process, control signal of circuit is connected.)

Crimp contacts

Difference comparison of contact pins

D contacts				
	Standard	Enhanced I	Enhanced II	Enhanced III
Difference	<p>Standard model, combined with standard D-type DD-type core body; the product adopts D-type metal dome positioning, leaf spring throat will provide positive pressure for retention of female contact pin.</p>	<p>Equipped with stainless steel bushing, and combined with standard D-type DD-type core body.</p> <ol style="list-style-type: none"> 1. Product can avoid "tongue pressing" deformation and invalid contact of traditional open structure due to poor guiding or sudden situation. 2. Product adopts D-type metal dome positioning, leaf spring throat will provide positive pressure for retention of female contact pin. <p>Tongue piece is always restricted within the elastic deformation scope of bushing.</p>	<ol style="list-style-type: none"> 1. Unique elastic structure of $\Phi 1.6$ jack socket uses beryllium copper as elastomer. <p>In addition to the above advantages, it can avoid "tongue pressing" deformation and invalid contact of traditional open structure due to poor guiding or sudden situation.</p> <p>Contact pin adopts two-pad structure as the right figure shows to guarantee that supporting is more reliable and can completely be compatible with existing similar cold pressing pin.</p> <ol style="list-style-type: none"> 2. Compared with split slot type jack socket, characteristics of crown spring type jack socket include: embedded with beryllium bronze multi-reed connection, it has excellent elastic performance after treatment, and fatigue life can reach 5,000 times. Beryllium bronze alloy is featured with high intensity, high elasticity and no magnetism through smelting, casting, hot rolling and special thermal treatment, which can be called as the king of elasticity of non-ferrous metals. Therefore, it is widely applied in spaceflight, aviation, rail transit, manufacturing electronic element, electric parts, and component of resistance welding equipment. In particular, it has larger advantages when it is used for elastic connectors. 	<p>Three-pad supporting, combined with standard D-type DD-type core body.</p> <p>The product uses three-pad metal dome positioning so that supporting and positioning are more uniform and stable. It is more suitable for vibration occasion. Leaf spring throat will provide positive pressure for retention of female contact pin.</p>
E contacts				
	Standard	Enhanced	Enhanced III	
Difference	<p>Standard model, combined with standard E-type EE-type cold pressing core body; leaf spring throat will provide positive pressure for retention of female contact pin.</p>	<ol style="list-style-type: none"> 1. Product can avoid "tongue pressing" deformation and invalid contact of traditional open structure due to poor guiding or sudden situation. 2. Compared with split slot type jack socket, characteristics of crown spring type jack socket include: embedded with beryllium bronze multi-reed connection, it has excellent elastic performance after treatment, and fatigue life can reach 5,000 times. Beryllium bronze alloy is featured with high intensity, high elasticity and no magnetism through smelting, casting, hot rolling and special thermal treatment, which can be called as the king of elasticity of non-ferrous metals. Therefore, it is widely applied in spaceflight, aviation, rail transit, manufacturing electronic element, electric parts, and component of resistance welding equipment. In particular, it has larger advantages when it is used for elastic connectors. 	<p>The product adopts N plug (such as HE-006-FC/N) and three-pad jack catch to position that will not be affected by conductor. So that supporting and positioning are more uniform and stable. It is more suitable for vibration occasion. Meanwhile, female contact pin is used together with standard E-type EE-type cold pressing core body.</p> <ol style="list-style-type: none"> 1. Product can avoid "tongue pressing" deformation and invalid contact of traditional open structure due to poor guiding or sudden situation. 2. Compared with split slot type jack socket, characteristics of crown spring type jack socket include: embedded with beryllium bronze multi-reed connection, it has excellent elastic performance after treatment, and fatigue life can reach 5,000 times. Beryllium bronze alloy is featured with high intensity, high elasticity and no magnetism through smelting, casting, hot rolling and special thermal treatment, which can be called as the king of elasticity of non-ferrous metals. Therefore, it is widely applied in spaceflight, aviation, rail transit, manufacturing electronic element, electric parts, and component of resistance welding equipment. In particular, it has larger advantages when it is used for elastic connectors. <p>Its main characteristics include:</p> <ol style="list-style-type: none"> 1. Plug structure is simple; 2. As it uses beryllium copper three-pad clamp spring, it will not age or break like plastic jack catch of conventional product. 	

Notes: The tools for crimp terminal may influence the product quality and stability. Please select the tools recognized by our company.

Rectangular connector-Accessories

	Page
PCB-adapter	P14-02~P14-11
Rail bracket	P14-12~P14-13
Ground terminal/Docking frame	P14-14~P14-16
Code pin	P14-17~14-18
Cable clamp	P14-19

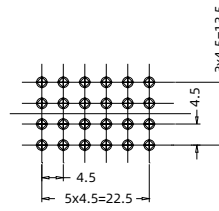
HDD inserts with PCB-adapter



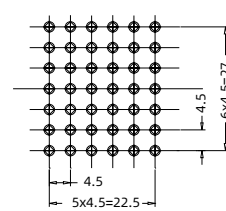
Technical characteristics

Specifications	DIN EN 60 664 DIN EN 61 984
Approvals	UL CE ENEC CCC
inserts	
Number of contacts	24,42,72,108
Electrical data acc. to EN 61 984	
-Rated current	7.5A
-Rated voltage	250V
-Rated impulse voltage	4kV
-Pollution degree	3
Rated voltage acc. to UL	250V
Testing voltage Ueff	2kV
Insulation resistance	$\geq 10^{10}\Omega$
Material	polycarbonate
Limiting temperatures	-40°C ...+125°C
Flammability acc. to UL 94	V0
Mechanical working life(mating cycles)	≥ 500

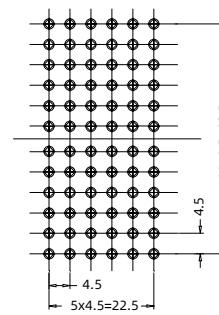
Layout of PCB



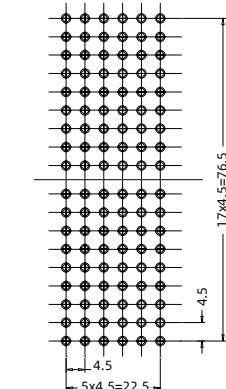
H24DD



H42DD



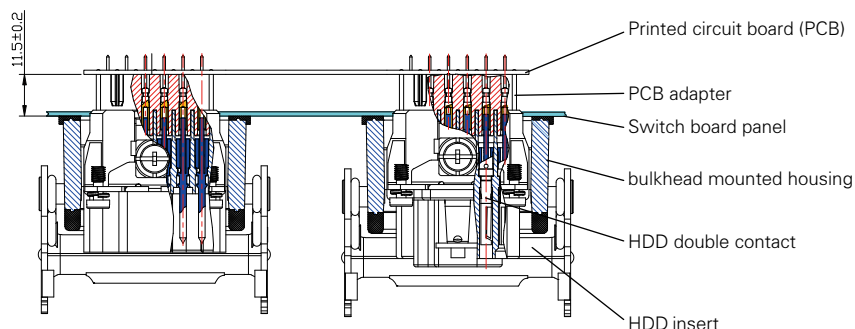
H72DD



H108DD

HDD inserts with PCB-adapter

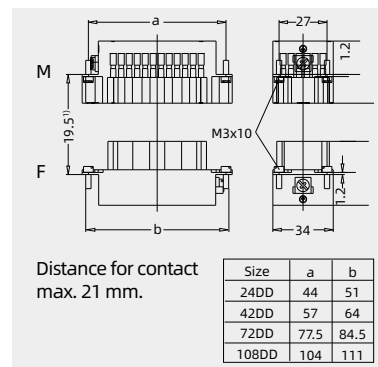
Assembly situation



HDD insert



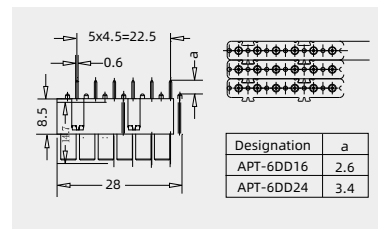
Insert	Size	Designation	Order No.
Male	H6B	HDD-024-MC	126 024 010 0001
	H10B	HDD-042-MC	126 042 010 0001
	H16B	HDD-072-MC	126 072 010 0001
Female	H24B	HDD-108-MC	126 108 010 0001
	H6B	HDD-024-FC	126 024 020 0001
	H10B	HDD-042-FC	126 042 020 0001
	H16B	HDD-072-FC	126 072 020 0001
	H24B	HDD-108-FC	126 108 020 0001



PCB adapter



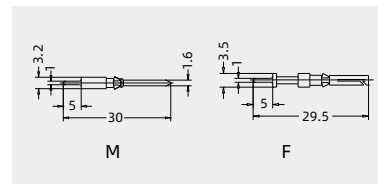
Description	Designation	Order No.
for PCBs up to 1.6mm	APT-6DD16	198 002 007 0002
for PCBs up to 2.4mm	APT-6DD24	198 002 007 0004



HDD double contact



Contact	Designation	Order No.
Male	CDSM-P1.0	101 017 114 0001
Female	CDSF-P1.0	101 017 124 0001



Hoods/Housings

Hoods: further information see chapter DD

Bulkhead mounted housings: further information see chapter DD

HEC inserts

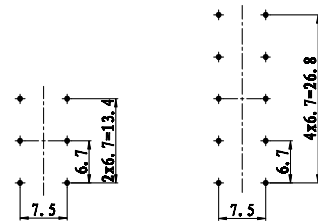
HEC inserts with PCB-adapter



Technical characteristics

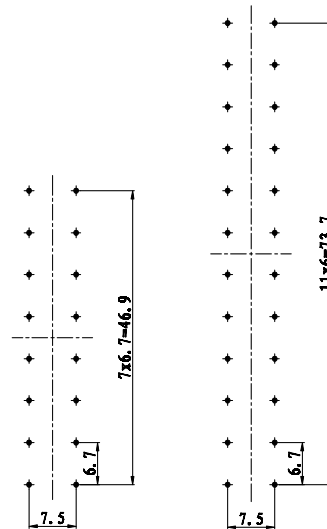
Specifications	DIN EN 60 664 DIN EN 61 984
Approvals inserts	CE ENEC
Number of contacts	6,10,16,24
Electrical data acc. to EN 61 984	
-Rated current	16A
-Rated voltage	500V
-Rated impulse voltage	6kV
-Pollution degree	3
Insulation resistance	$\geq 10^{10}\Omega$
Material	polycarbonate
Limiting temperatures	-40°C ...+125°C
Flammability acc. to UL 94	V0
Mechanical working life(mating cycles)	≥ 500

Layout of PCB



6E

10E

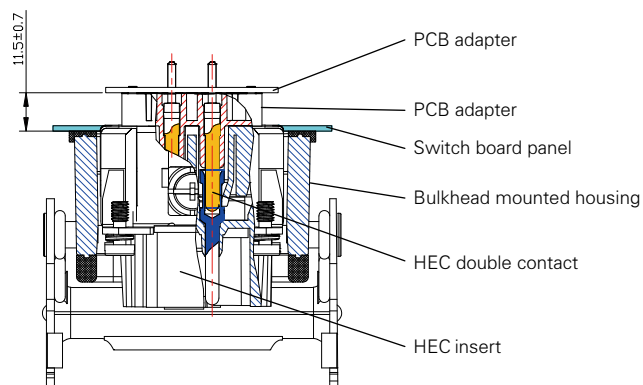


16E

24E

HEC inserts with PCB-adapter

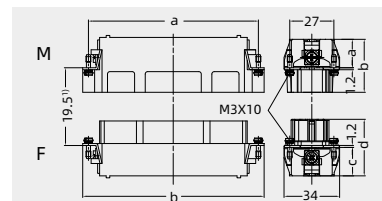
Assembly situation



HEC insert



Insert	Size	Designation	Order No.
Male	6B	HE-006-MC	122 006 010 0001
	10B	HE-010-MC	122 010 010 0001
	16B	HE-016-MC	122 016 010 0001
Female	24B	HE-024-MC	122 024 010 0001
	6B	HE-006-FC	122 006 020 0001
	10B	HE-010-FC	122 010 020 0001
	16B	HE-016-FC	122 016 020 0001
	24B	HE-024-FC	122 024 020 0001



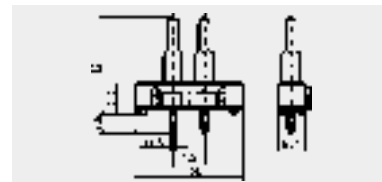
Distance for contact max. 21 mm.

Size	a	b
6E	44	51
10E	57	64
16E	77.5	84.5
24E	104	111

PCB adapter



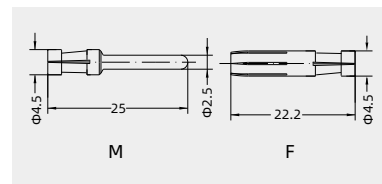
Description	Designation	Order No.
	APT-2E16	198 002 007 0001



HEC double contact



Contact	Designation	Order No.
Male	CESM-2.5P	101 019 114 0051
Female	CESF-2.5P	101 019 124 0051



Hoods/Housings

Hoods: further information see chapter HE

Bulkhead mounted housings: further information see chapter HE

HQ-004/2 inserts

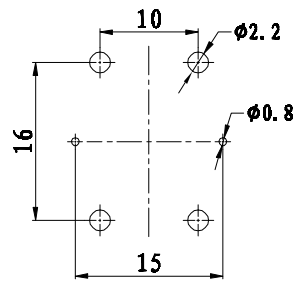
HQ-004/2 inserts with PCB-adapter



Technical characteristics

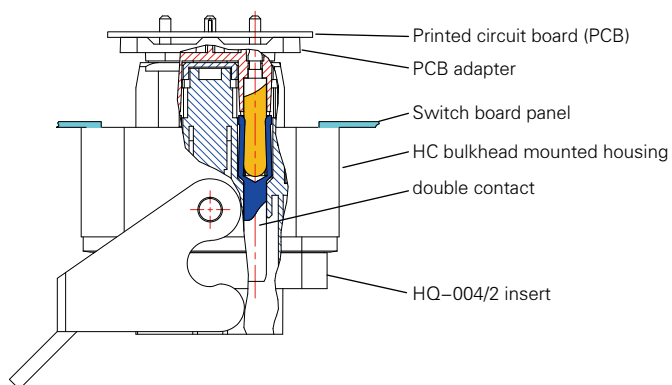
Specifications	DIN EN 60 664	DIN EN 61 984
Approvals		
inserts		
Number of contacts	4/2	
Electrical data acc. to EN 61 984		
Power area		
-Rated current	30A	
-Rated voltage conductor - ground	400V	
-Rated voltage conductor - conductor	690V	
-Rated impulse voltage	6kV	
-Pollution degree	2	
Signal area		
-Rated current	7.5A	
-Rated voltage	250V	
-Rated impulse voltage	4kV	
-Pollution degree	2	
Insulation resistance	$\geq 10^{10} \Omega$	
Material	LCP	
Limiting temperatures	-40°C ...+125°C	
Flammability acc. to UL 94	V0	

Layout of PCB



HQC inserts with PCB-adapter

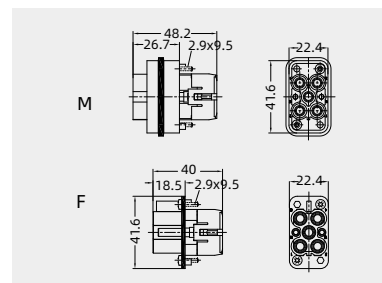
Assembly situation



HQ insert



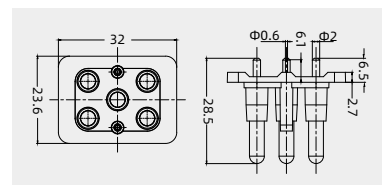
Insert	Designation	Order No.
Male	HQ-004/2-MC	130 006 010 0001
Female	HQ-004/2-FC	130 006 020 0001



PCB adapter



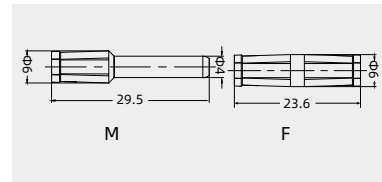
Description	Designation	Order No.
	APT-Q4/2	198 002 007 0009



C double contact, to connect the PCP-Adapter, Power contacts



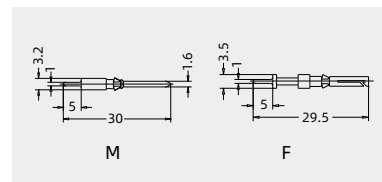
Contact	Designation	Order No.
Male	CCSM-4.0P	101 023 114 1251
Female	CCSF-4.0P	101 023 124 1251



D double contact, Signal contacts



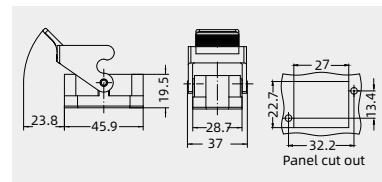
Contact	Designation	Order No.
Male	CDSM-P1.0	101 017 114 0001
Female	CDSF-P1.0Q	101 017 124 0052



HC bulkhead mounted housings



Thread	Designation	Order No.
---	HC.P-BK-1L	130 008 327 1001



A

HQ-007/0 inserts

HQ-007/0 inserts with PCB-adapter

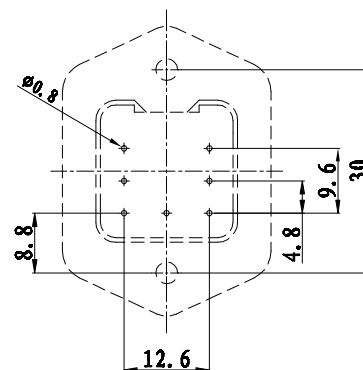


Technical characteristics

Specifications	DIN EN 60 664 DIN EN 61 984
Approvals	
inserts	
Number of contacts	7
Electrical data acc. to EN 61 984	
-Rated current	7.5A
-Rated voltage	250V
-Rated impulse voltage	4kV
-Pollution degree	3
Insulation resistance	$\geq 10^{10}\Omega$
Material	polycarbonate
Limiting temperatures	-40°C ...+125°C
Flammability acc. to UL 94	V0
Mechanical working life(mating cycles)	≥ 500

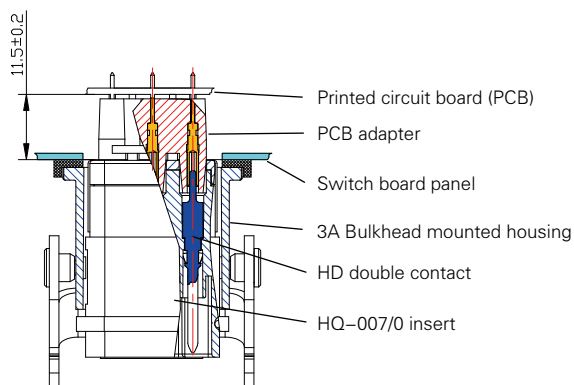
Layout of PCB

recommended hole diameter: 0.8 mm



HQ-007/0 inserts with PCB-adapter

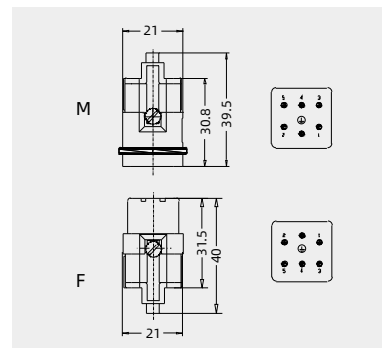
Assembly situation



HQ-007/0 insert



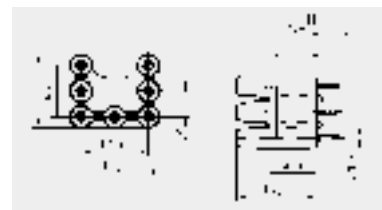
Insert	Designation	Order No.
Male	HQ-007/0-MC	130 007 010 0001
Female	HQ-007/0-FC	130 007 020 0001



PCB adapter



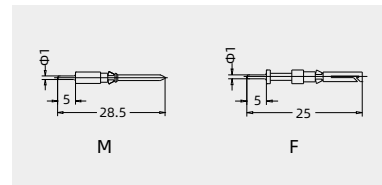
Description	Designation	Order No.
for PCBs up to 2.4mm	APT-Q7	198 002 007 0010



HD double contact



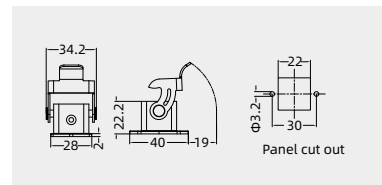
Contact	Designation	Order No.
Male	CDSM-P1.0S	101 017 114 0002
Female	CDSF-P1.0S	101 017 124 0002



3A Bulkhead mounted housings



Thread	Designation	Order No.
---	H3A-BK-1L/W	110 003 324 1001



A

HQ-008/0 inserts

HQ-008/0 inserts with PCB-adapter

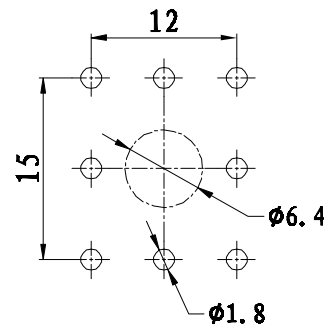


Technical characteristics

Specifications	DIN EN 60 664	DIN EN 61 984
Approvals		
inserts		
Number of contacts	8/0	
Electrical data acc. to EN 61 984		
Rated current	16A	
Rated voltage conductor - ground	230V	
Rated voltage conductor - conductor	400V	
Rated impulse voltage	4kV	
Pollution degree	2	
Insulation resistance	$\geq 10^{10}\Omega$	
Material	LCP	
Limiting temperatures	-40°C ...+125°C	
Flammability acc. to UL 94	V0	

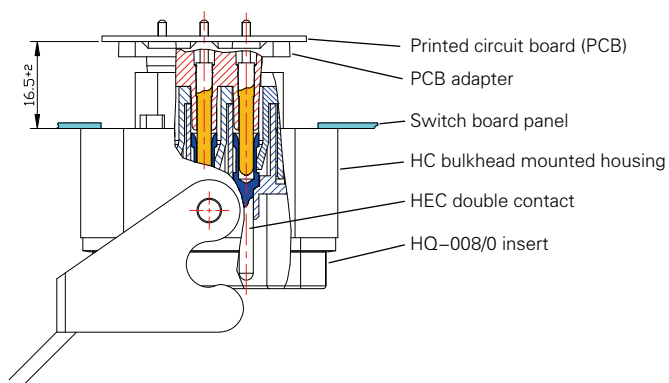
Layout of PCB

dimensions in mm



HQC inserts with PCB-adapter

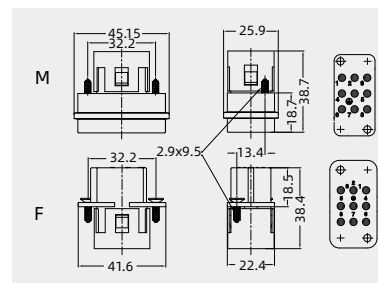
Assembly situation



HQ insert



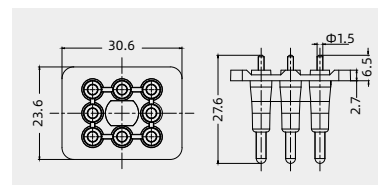
Insert	Designation	Order No.
Male	HQ-008/0-MC	130 008 010 0001
Female	HQ-008/0-FC	130 008 020 0001



PCB adapter



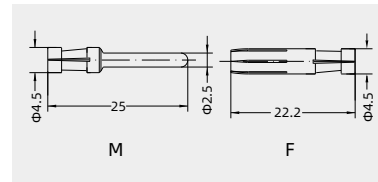
Description	Designation	Order No.
	APT-Q8	198 002 007 0011



HEC double contact, to connect the PCB-Adapter



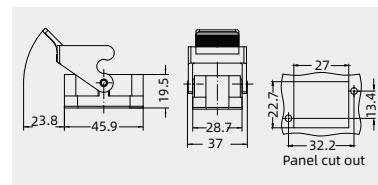
Contact	Designation	Order No.
Male	CESM-2.5P	101 019 114 0051
Female	CESF-2.5P	101 019 124 0051



HC Bulkhead mounted housings



Thread	Designation	Order No.
---	HC-P-BK-1L	130 008 327 1001



A

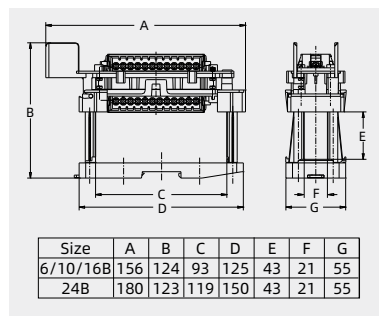
Rail bracket

Is used to connect inserts fixed to the commonly used standard lateral rail.

A version



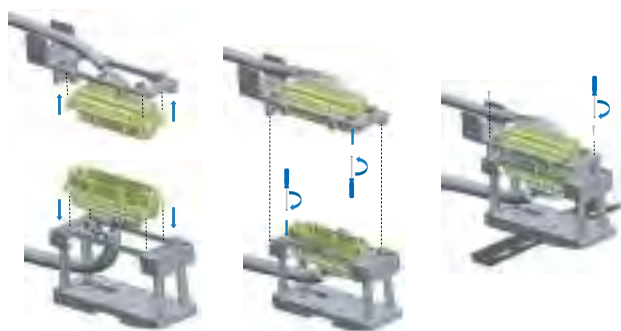
Size	Designation	Order No.
6B	CC6B	198 002 008 0009
10B	CC10B	198 002 008 0010
16B	CC16B	198 002 008 0011
24B	CC24B	198 002 008 0012



A

Assembly instructions

A version

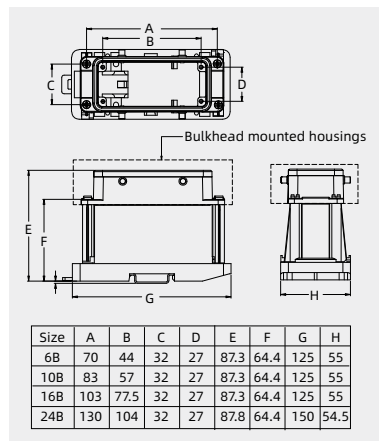


Is used to bulkhead mounted housings fixed to the commonly used standard lateral rail.



Size	Designation	Order No.
6B	CC6B-BK	198 002 008 0005
10B	CC10B-BK	198 002 008 0006
16B	CC16B-BK	198 002 008 0007
24B	CC24B-BK	198 002 008 0008

Assembly instructions



Rail bracket

Is used to connect inserts fixed to the commonly used standard lateral rail. **Adjustable rail bracket**

B version Rail bracket

Latching parts with strain relief



Latching parts

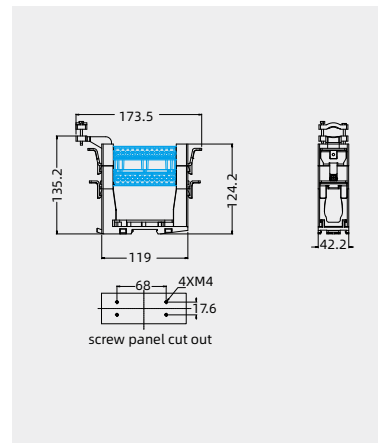


Adjustable movable base



Description	Designation	Order No.
Suitable for all the inserts & module framework which match type B hood & housing	CCAB ¹⁾	198 002 008 0013

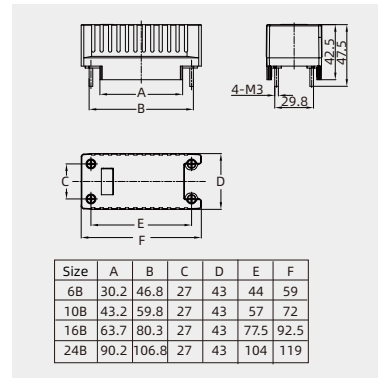
1) CCAB is a combined suite including: Latching parts with strain relief, Latching parts, Adjustable movable base



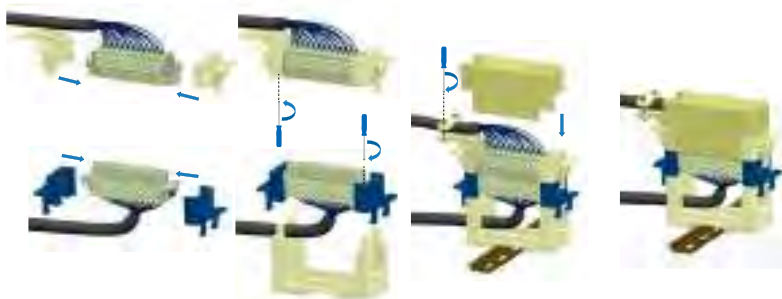
Protecting cover can match CCAB



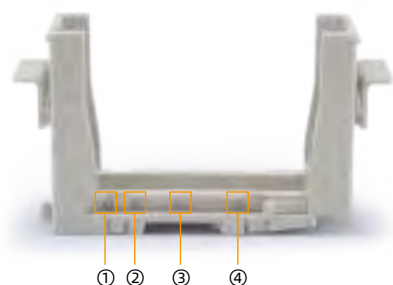
Description	Designation	Order No.
Play the protective role for insert.	CC6B-CV	198 002 008 0001
	CC10B-CV	198 002 008 0002
	CC16B-CV	198 002 008 0003
	CC24B-CV	198 002 008 0004



Assembly instructions



Adjustable movable base



- ①: the insert and 6B version highed frame are matchable with 6B version shells
- ②: the insert and 10B version highed frame are matchable with 10B version shells
- ③: the insert and 16B version highed frame are matchable with 16B version shells
- ④: the insert and 24B version highed frame are matchable with 24B version shells

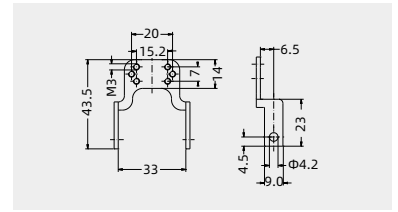
Ground terminal

Ground terminal-standard(for HE/HEE/HDD inserts in housings and hoods, high construction)

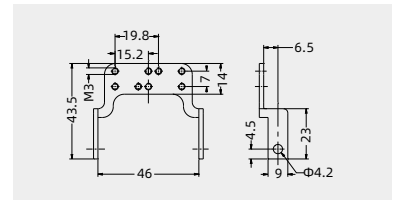
See P14-16 for assembly instructions

A

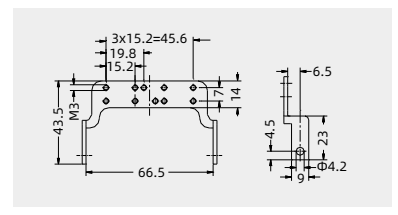
Size	Designation	Order No.
6B	B6B-PE	198 002 003 0001



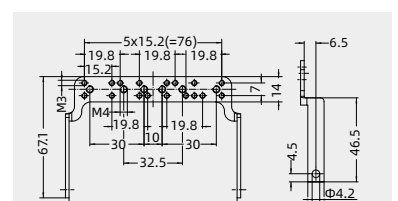
Size	Designation	Order No.
10B	B10B-PE	198 002 003 0002



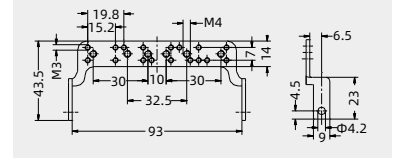
Size	Designation	Order No.
16B	B16B-PE	198 002 003 0003



Size	Designation	Order No.
24B	B24B-PE	198 002 003 0004



Size	Designation	Order No.
24B	B24B-PES	198 002 003 0005



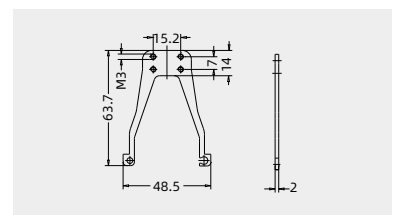
Ground terminal-for hinged frame(for HM frames in bulkhead mounted housings)

See P14-16 for assembly instructions

Size	Designation	Order No.
6B	M6B-PE	198 002 003 0008



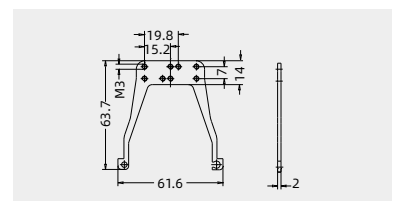
Not suitable for P10-41~10-44 shielding modules



Size	Designation	Order No.
10B	M10B-PE	198 002 003 0009



Not suitable for P10-41~10-44 shielding modules



Ground terminal/Grip frame/Screw adaptor/Clamps

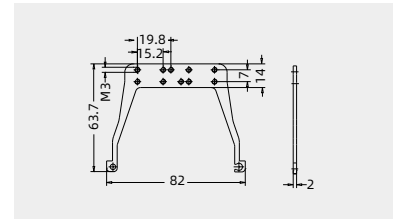
Ground terminal-for hinged(for HM frames in bulkhead mounted housings)

See P14-16 for assembly instructions

Size	Designation	Order No.
16B	M16B-PE	198 002 003 0010



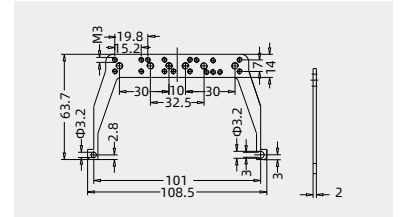
Not suitable for P10-41~10-44 shielding modules



Size	Designation	Order No.
24B	M24B-PE	198 002 003 0014

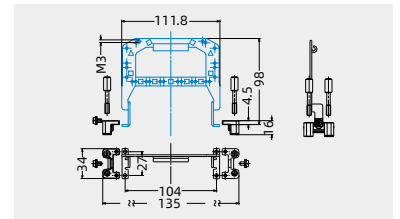


Not suitable for P10-41~10-44 shielding modules



Grip frame-with screw adaptor and screw

Size	Designation	Description	Order NO.
24B	GB-24B	blue	198 002 003 0006
24B	GB-24B-APT	with screw adaptor	198 002 003 0007

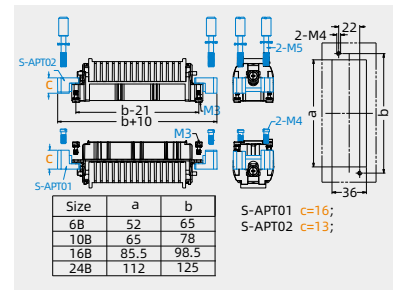


Screw adaptor

Size	Designation	Description	Order NO.
---	S-APT01	blue	198 002 007 0012
---	S-APT02	blue	198 002 007 0014

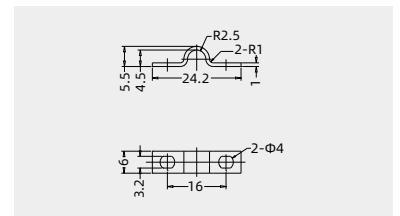


Note: A complete set of adapters requires an order of 2pcs per each

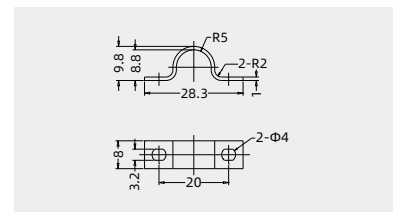


Screw adaptor

Size	Designation	Order No.
---	CLP4.5-PE	198 002 003 0016



Size	Designation	Order No.
---	CLP10-PE	198 002 003 0017



Ground terminal/Grip frame/Screw adaptor/Clamps

Ground terminal-for hinged(for HM frames in bulkhead mounted housings)

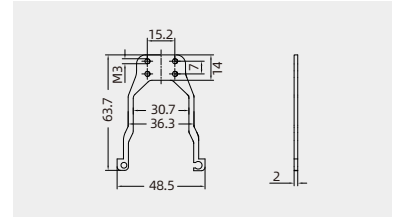


See P14-16 for assembly instructions



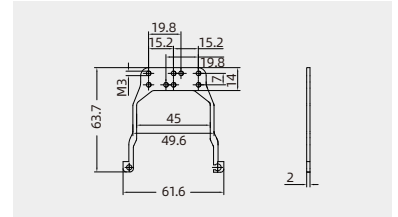
Size	Designation	Order No.
6B	M6B/E-PE	198 002 003 0039

Suitable for P10-41~10-44 shielding modules



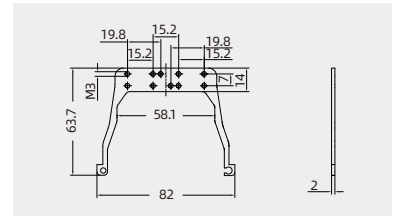
Size	Designation	Order No.
10B	M10B/E-PE	198 002 003 0040

Suitable for P10-41~10-44 shielding modules



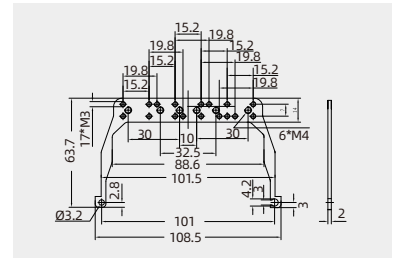
Size	Designation	Order No.
10B	M16B/E-PE	198 002 003 0041

Suitable for P10-41~10-44 shielding modules



Size	Designation	Order No.
10B	M24B/E-PE	198 002 003 0042

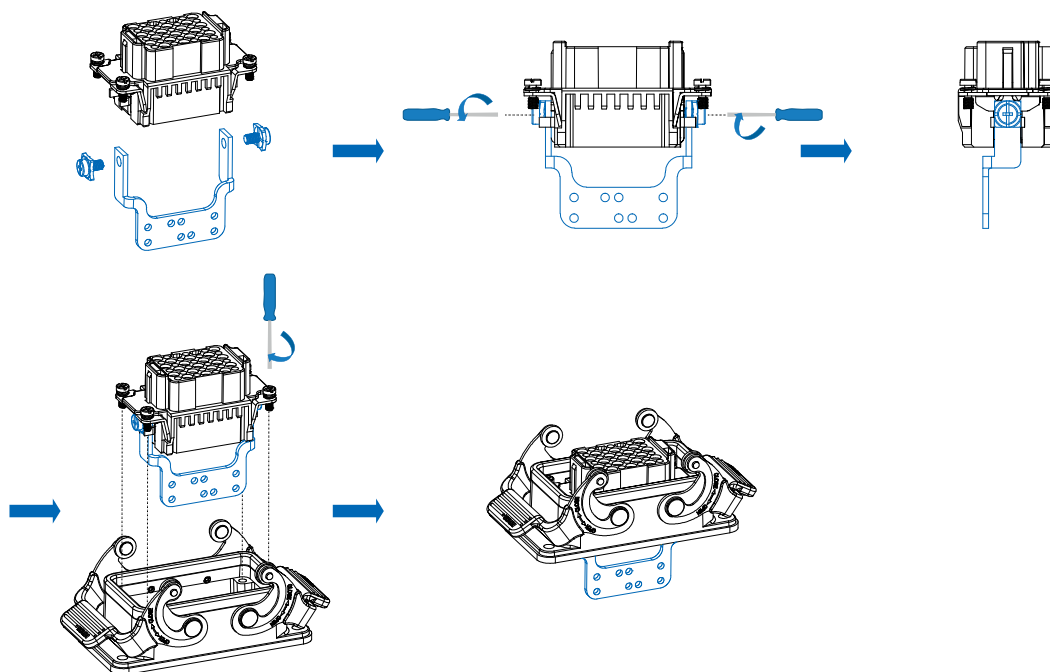
Suitable for P10-41~10-44 shielding modules



A

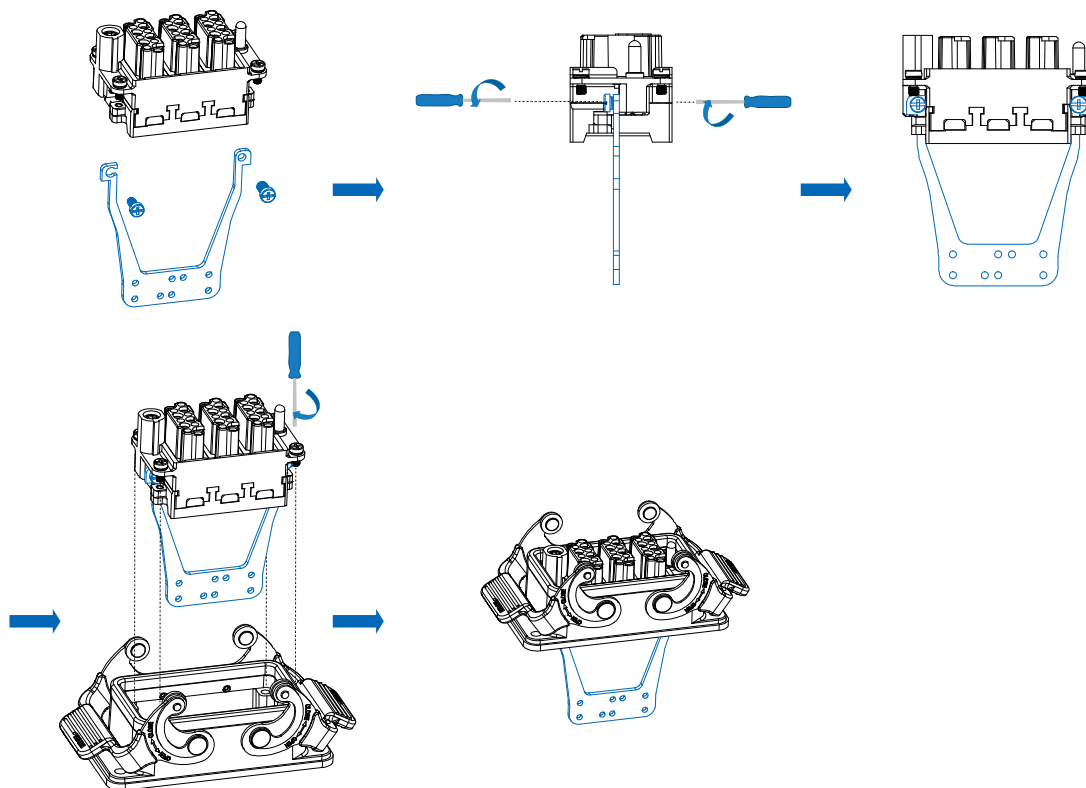
Ground terminal assembly

Ground terminal-standard(for HE/HEE/HDD inserts in housings and hoods, high construction)



A

Ground terminal-for hinged frame(for HM frames in bulkhead mounted housings)



Accessories

Coding system with code pins

Code pin

Designation	Order No.
CODE-M3/S	198 002 005 0006



Modular code pin

Designation	Order No.
MCODE-M3/S	198 002 005 00020



“/S” -stainless steel

Coding system with guide pins/bushes

Guide bush

Designation	Order No.
GBUSH-M3/S	198 002 005 00018



Guide pin

Designation	Order No.
GPIN-M3/S	198 002 005 00017



Modular guide bush

Designation	Order No.
MGBUSH-M3/S	198 002 005 00023

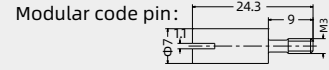
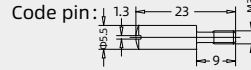


Modular guide pin

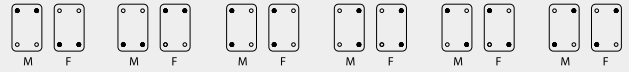
Designation	Order No.
MGPIN-M3/S	198 002 005 00022



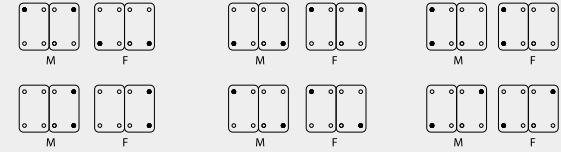
“/S” -stainless steel



for hoods/housings with one insert/one frame

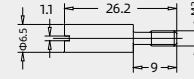


for hoods/housings with two inserts/two frames

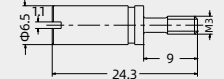


- Code pin
- Normal mounting screw
- M-Male insert
- F-Female insert

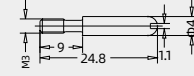
Guide bush:



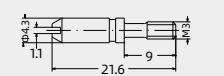
Modular guide bush:



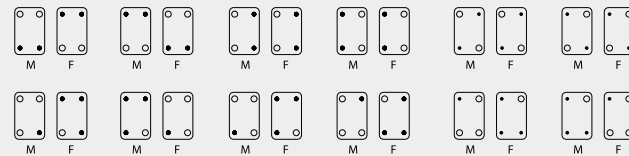
Guide pin:



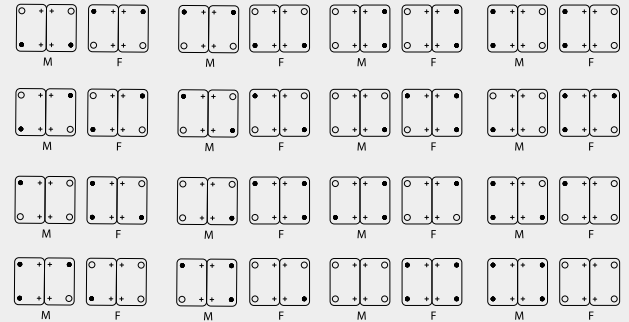
Modular guide pin:



for hoods/housings with one insert/one frame



for hoods/housings with two inserts/two frames



- Guide pin
- Bush
- + Normal mounting screw
- M-Male insert
- F-Female insert

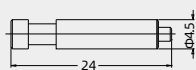
Accessories

Coding

Code pin



Designation	Order No.
CODE-E	198 002 005 0002

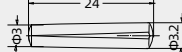


- ① Use of the coding pin prevents incorrect mating to other connectors of the same type.
- ② For HEC, HEE, HQ-005/0, HM-006, HM-008
- ③ The male pin should be omitted from the opposing cavity in the male insert.

Code pin



Designation	Order No.
CODE-D	198 002 005 0001

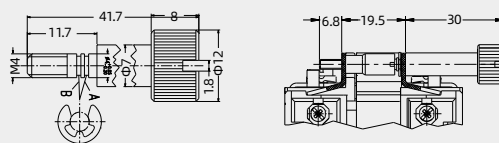


- ① Use of the coding pin prevents incorrect mating to other connectors of the same type.
- ② For HD, HDD, HMD-012, HMDD-017, HQ-7/0, HQ-012/0
- ③ The male pin should be omitted from the opposing cavity in the male insert.

Screw pin



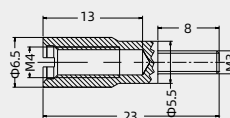
Designation	Order No.
GH-M4	904 000 000 0077



Screw bash



Designation	Order No.
GHT-M3	904 000 000 0079



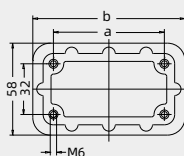
frame

Mounting

for H version housings



Size	Designation	Order No.
6B	HP6B-MF	198 002 005 0002
10B	HP10B-MF	198 002 005 0002
16B	HP16B-MF	198 002 005 0002
24B	HP24B-MF	198 002 005 0002



Size	a	b
6B	70	96
10B	83	109
16B	103	129
24B	130	156

Docking frame



Size	Designation	Order No.
6B	H6B-ADK	198 002 004 0001
10B	H10B-ADK	198 002 004 0002
16B	H16B-ADK	198 002 004 0003
24B	H24B-ADK	198 002 004 0005

Technical characteristics

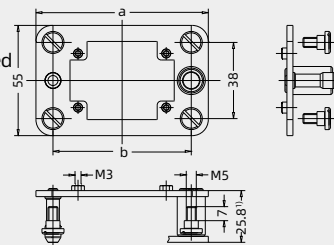
- Material**
- Docking frame stainless steel
 - Fixing screws steel, zinc-plated
- Pull-in-range**
- x-axis $\pm 1.5\text{mm}$
 - y-axis $\pm 1.5\text{mm}$

- Mechanical working life**
- mating cycles ≥ 500

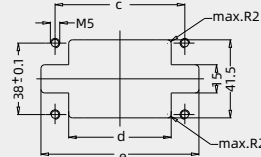
Range of delivery:

- 1 frame
- 4 cheese head shoulder screws to fix mm; for pneumatic contacts max. 26.5 mm

Assembly cut out



size	a	b	c	d	e
6B	86	69	69	54.5	84
10B	99	82	82	67.5	97
16B	119.5	102.5	102.5	88	117.5
24B	146	129	129	114.5	144



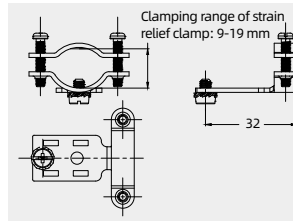
Accessories

Cable clamp fitting

Straight cable clamp fitting



Designation	Order No.
CCF-T	198 002 003 0021

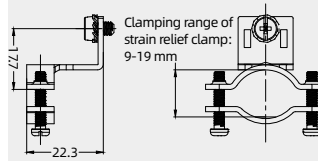


When using inserts without hoods or housings, a cable clamp is needed. The cable clamp is suitable for the following inserts: HDD, HE, HSB, HVE, HVES, HEE series, as well as HK-008/24, HD-040, HD-064 and the opposite end to the PE-termination.

Angled cable clamp fitting

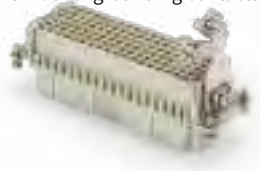


Designation	Order No.
CCF-S	198 002 003 0020

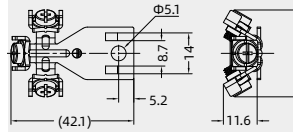


When using inserts without hoods or housings, a cable clamp is needed. The cable clamp is suitable for the following inserts: HDD, HE, HSB, HVE, HVES, HEE series, as well as HK-008/24, HD-040, HD-064 and the opposite end to the PE-termination.

Nickel plated multi-grounding number of grounding contacts 3



Designation	Order No.
PE-MGC	198 002 006 0015



- Number of grounding contacts 3
- Material: copper alloy
- Surface: Nickel plating

Assembly requirements:
It is suitable for high structure shell, and if the structure is side entry, the fittings are assembled on the side of the non-outlet hole

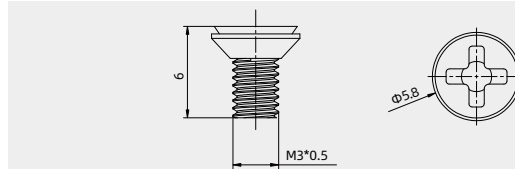
Adaptable products: HD (type B), HDD, HE, HVE, HEE, HSB, HK (with grounding connecting block structure on both sides) insert series.

Screw

Grounding screw for 3A hoods/housings, With tapered seals



Designation	Order No.
M3*6	904 000 000 0029



HE-024 Sealing pad(dust, water, smoke, anti-shock)

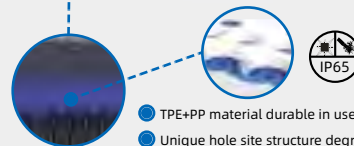
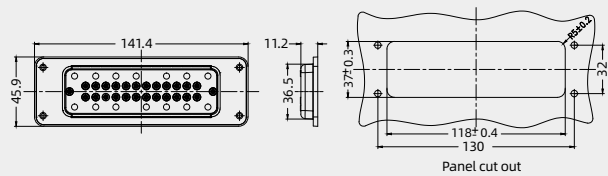
Protection covers

for 24B Housings, bulkhead mounted (HE-024 inserts)



Technical characteristics
Material PP+TPE
Limiting temperatures -40°C ...+90°C
Wire gauge 0.14-2.5mm²
Wire diameter 1.3-3.6mm
Degree of protection IP65

Designation	Order No.
24B-F/Pro-hum	903 000 000 0278



- TPE+PP material durable in use
- Unique hole site structure degree of protection up to IP65

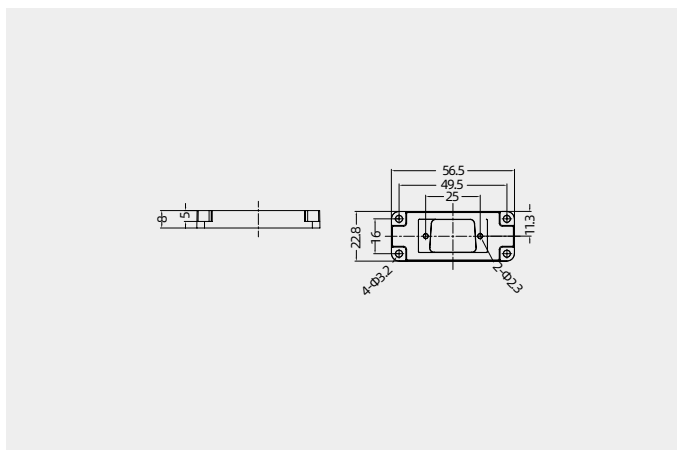
Accessories

Adapter

Hoods/Housings: size 10A, please find the details on page 15-17~15-18.1

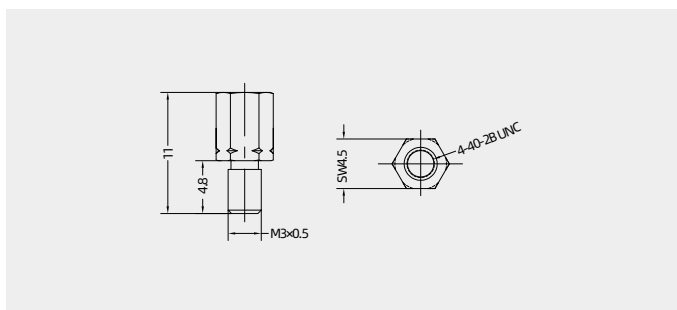
D-Sub adapter

Designation	Order No.
APT-10A/DB-d25	198 002 007 0030



Hexagon bolt

Designation	Order No.
M3x6.2x11-#4-40	104 000 000 0001



A

Hood&Housing



H



Rectangular connector-Hoods/Housings Contents




Size	Type	Page
3A	Hoods/Housings(Plastic,Standard,EMC,Corrosion Resistance)	P15-06~P15-16.1
10A	Metal Hoods/Housings	P15-17~P15-18.1
16A	Metal Hoods/Housings	P15-19~P15-20
32A	Metal Hoods/Housings	P15-21~P15-24
6B	Hoods/Housings(Plastic,Metal,Corrosion Resistance)	P15-25~ P15-38.2
10B	Hoods/Housings(Plastic,Metal,suitable for harsh environement,Corrosion Resistance,Pressure Tight)	P15-39~P15-69
16B	Hoods/Housings(Plastic,Metal,suitable for harsh environement,EMC,Corrosion Resistance,Pressure Tight)	P15-70~P15-107.1
24B	Hoods/Housings(Plastic,Metal,suitable for harsh environement,Corrosion Resistance,Pressure Tight)	P15-108~P15-150
32B	Hoods/Housings(Metal,Pressure Tight)	P15-151~P15-159
48B	Hoods/Housings(Metal,Pressure Tight)	P15-160~P15-162
HC	Metal Hoods/Housings	P15-163~P15-168
Thickned seal part	(H series BK housing)	P15-169~P15-170

Levers for option

	Identify	Main material	Description	Designation Example	Order NO. Example
	L/SC	Stainless steel+TPR	high-strength locking, device with rubber cover, Suitable for harsh environment (anti-corrosion)	H24B-SF-1L/SC-M25	P15-06~P15-16
	L/PSE	PC+Stainless steel	removable locking device, suitable for general industrial environment	H24B-SF-1L/PSE-M25	P15-21~P15-24

Rectangular connector-Hoods/Housings Contents

the examples of products

	identify	The definition of Corrosion Class, on the basis of ISO12944	The neutral salt spray test ISO7253 /h	The examples of typical environments in temperate climates (for reference only)	models examples
	/480	C3 High	480	The urban and industrial atmospheres, moderate sulfur dioxide pollution, and low salinity coastal areas	W10B-TEH-4B-M32/480
	/720	C4 High	720	The industrial and coastal areas with moderate salinity	W10B-TEH-4B-M32/720
	/1440	C5 High	1440	The industrial areas with high humidity and harsh atmosphere and coastal areas with high salinity	W10B-TEH-4B-M32/1440

*The metal casings such as the housing and the base of the connector can be corrosive to different degrees. The models in the table are only for the purpose of making the product model naming rules clearer for customers. More models are welcome to consult.

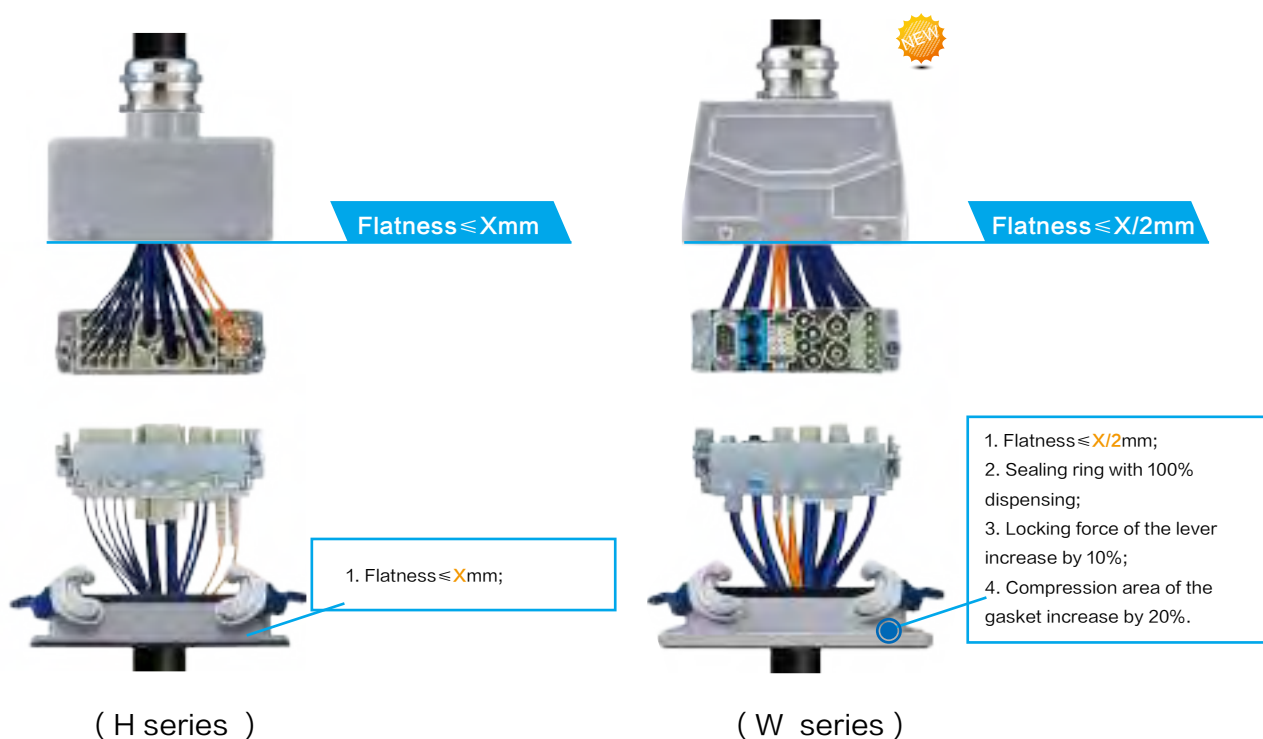
Dear customer:

Thank you very much for your continued trust in our products and your support for our company.

During the course of development, WAIN has always been trying to improve and enrich its products. To meet the customer's need for connectors between IP65 and IP68, we develop brand-new IP67 metal shells. Affected models include 6B、10B、16B、24B、32B、32A (3A、10A、16A and 48B are not included at present) . These new shells can endure harsher environments especially outdoor operating environments, such as tower crane infrastructure、road construction、construction vehicles、outdoor cabinets、mining machinery and so on.

IP67 shells are named W series products, their designations begin with the letter " W ", such as W6B、W10B、W16B、W24B、W32B、W32A. We redesign the appearance、seal flatness and manufacturing technique, while the size remains the same. W series products are compatible with H series products, as well as all standard inserts、modular frames、cable glands and so on.

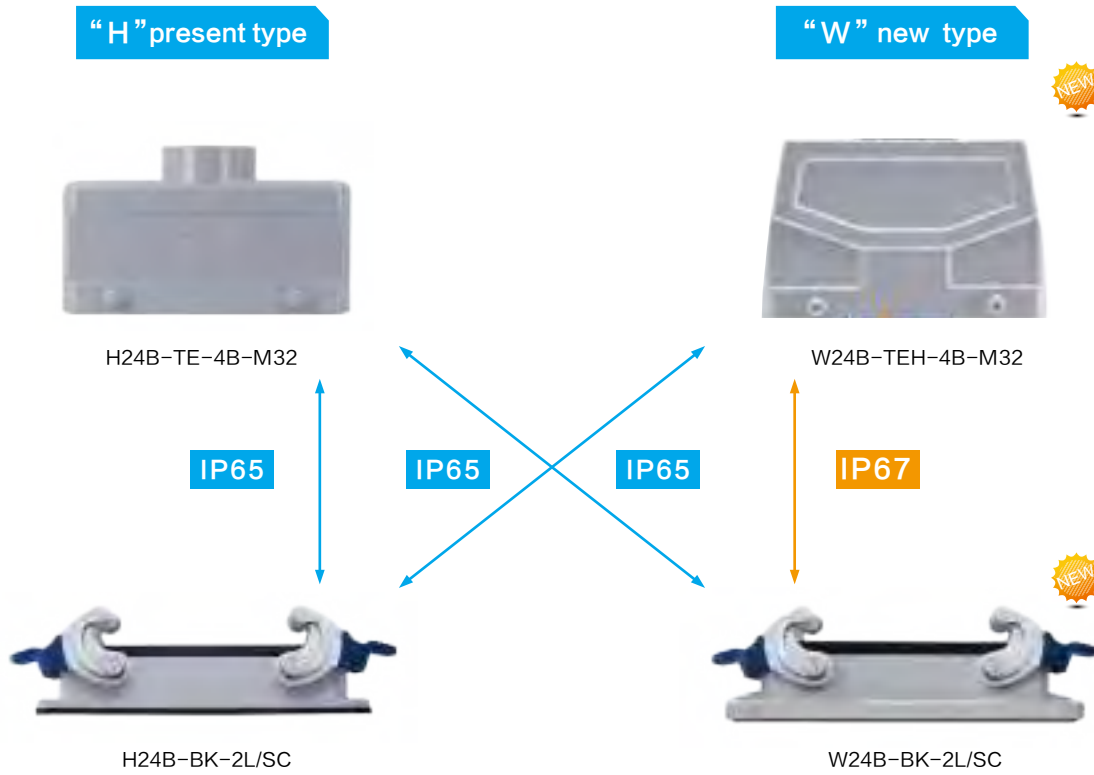
The differences between W series products and H series products (take 24B for example):



While promoting the W series products, the present H series products are also continued to be supplied, in other words we will supply IP65、IP67、IP68、IP69K products at the same time. (For specific technical parameters of W series products, please kindly refer to our catalogue). Through redesigning these shells, we wish to demonstrate WAIN's innovative spirit and the ability of independent development. We appreciate your understanding and support in this matter, and we hope that you will like our redesigned shells. We will offer more products and innovations continuously.

Should you have any questions, please do not hesitate to contact us.

Illustration for IP65 or IP67 under different matches between W series shells and H series metal shells
(take high construction hood+ bulkhead mounted housing for example)



*For the definition and requirements of IP grade, please kindly refer to IEC 60529-2013

Technical characteristics

Size 3A Plastic Hoods & Housings IP65	
Material	polycarbonate
Colour	light grey (RAL 7032) black (RAL 9005)
Locking element	
-Lever type	plastic elastic pressing
-Material	polyamide
Hoods/Housings seal	NBR
Limiting temperatures	-40...+125°C
Flammability acc. to UL 94	V0
Degree of protection acc.to DIN EN	
60 529 for coupled connector	IP65

Size 3A Metal Hoods & Housings IP65	
Material	zinc die-cast
Colour	grey
Locking element	
-Lever type	metal elastic pressing
-Material	metal galvanized/ nickel plating
Hoods/Housings seal	NBR
Limiting temperatures	-40...+125°C
Flammability acc. to UL 94	V0
Degree of protection acc.to DIN EN	
60 529 for coupled connector	IP65

3A Pressure tight Hoods & Housings IP68/IP69k	
Surface	Epoxy powder coating
Material	zinc die-cast
Colour	black or grey
Locking element	
-Lever type	screw locking
-Material	stainless steel
Hoods/Housings seal	NBR
Limiting temperatures	-40...+125°C
Flammability acc. to UL 94	V0
Degree of protection acc.to DIN EN	
60 529 for coupled connector	IP68/IP69K

EMC Electromagnetic Compatibility Hoods & Housings IP65	
Material	zinc die-cast(3A) aluminium die-cast(Type B)
Surface	electrical conductive
Locking element	
-Lever type	metal elastic pressing/screw locking
-Material	see15-02
Hoods/Housings seal	NBR
Limiting temperatures	-40...+125°C
Flammability acc. to UL 94	V0
Degree of protection acc.to DIN EN	
60 529 for coupled connector	H version IP65 / W version IP67

HC Metal Hoods & Housings IP65	
Surface	Epoxy powder coating/nickeling
Colour	zinc die-cast
Locking element	black/brushed nickel
Locking element	
-Lever type	metal elastic pressing
-Material	stainless steel
Hoods/Housings seal	NBR
Limiting temperatures	-40...+125°C
Flammability acc. to UL 94	V0
Degree of protection acc.to DIN EN	
60 529 for coupled connector	IP65

Plastic Hoods & Housings IP65	
Material	polyamide
Colour	RAL 9005 (black)
Locking element	
-Lever type	plastic elastic pressing
-Material	polyamide
Hoods/Housings seal	NBR
Limiting temperatures	-40...+125°C
Flammability acc. to UL 94	V0
Degree of protection acc.to DIN EN	
60 529 for coupled connector	IP65

Metal Hoods & Housings IP65	
Material	aluminium die-cast
Colour	grey
Locking element	
-Lever type	metal elastic pressing
-Material	see P15-02
Hoods/Housings seal	NBR
Limiting temperatures	-40...+125°C
Flammability acc. to UL 94	V0
Degree of protection acc.to DIN EN	
60 529 for coupled connector	H version IP65 / W version IP67

Hoods/Housings for higher environmental requirements IP65	
Material	zinc die-cast(3A), aluminium die-cast,
Colour	RAL 9005 (black)
Surface- Top coat	epoxy powder paint
Locking element	
-Lever type	metal elastic pressing
-Material	stainless steel
Hoods/Housings seal	FPM
Limiting temperatures	-40...+125°C
Flammability acc. to UL 94	V0
Degree of protection acc.to DIN EN	
60 529 for coupled connector	H version IP65 / W version IP67

Pressure tight Hoods & Housings IP68/IP69k	
Material	aluminium die-cast, corrosion resistant
Colour	black or grey
Locking element	
-Lever type	screw locking
-Material	stainless steel
Hoods/Housings seal	NBR
Limiting temperatures	-40...+125°C
Flammability acc. to UL 94	V0
Degree of protection acc.to DIN EN	
60 529 for coupled connector	IP68/IP69K

HC Plastic Hoods & Housings IP65	
Material	polycarbonate
Colour	RAL 9005 (black)
Locking element	
-Lever type	plastic elastic pressing
-Material	polyamide
Hoods/Housings seal	NBR
Limiting temperatures	-40...+125°C
Flammability acc. to UL 94	V0
Degree of protection acc.to DIN EN	
60 529 for coupled connector	IP65

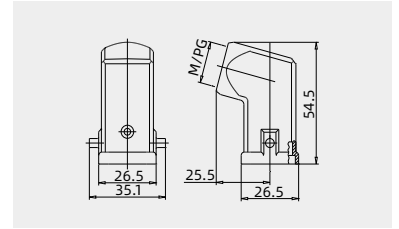
3A Plastic hoods/housings

Degree of protection: IP65

Hoods, side entry



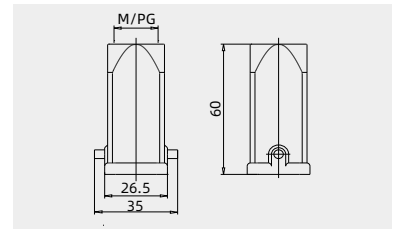
Thread	Designation	Order No.
M20	H3A.P-SE-2B-M20	118 003 510 1002
PG11	H3A.P-SE-2B-PG11	118 003 510 1008



Hoods, top entry



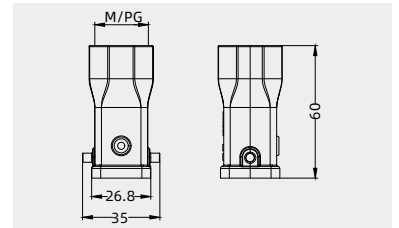
Thread	Designation	Order No.
M20	H3A.P-TE-2B-M20	118 003 410 1002
PG11	H3A.P-TE-2B-PG11	118 003 410 1008



Hoods, top entry



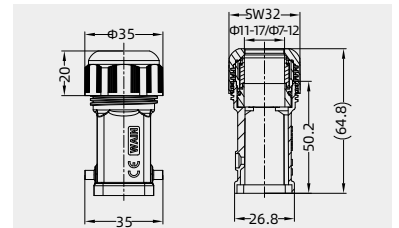
Thread	Designation	Order No.
M25	H3A.P-TE-2B-M25	118 003 410 1512
PG16	H3A.P-TE-2B-PG16	118 003 410 1513



Hoods, top entry



Thread	Designation	Order No.
OTr30	H3A.P-TE-2B-OTr30(D7-12)	118 003 410 1516
OTr30	H3A.P-TE-2B-OTr30(D11-17)	118 003 410 1517



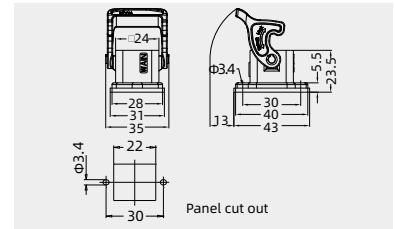
3A Plastic hoods/housings

Degree of protection: IP65

Bulkhead mounted housings



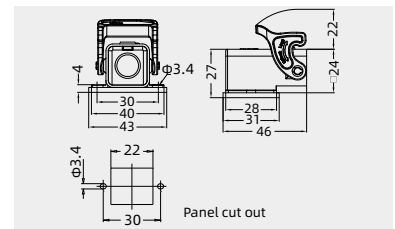
Thread	Designation	Order No.
---	H3A.P-BK-1L	118 003 327 1001



Bulkhead mounted housings



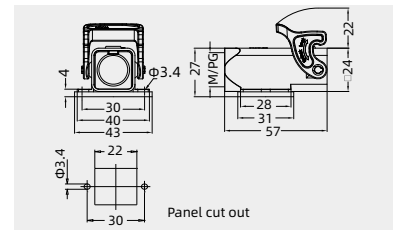
Thread	Designation	Order No.
---	H3A.P-BK-1L-SE	118 003 927 1001



Surface mounted housings



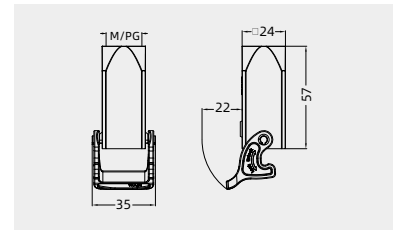
Thread	Designation	Order No.
M20	H3A.P-SF-1L-M20	118 003 227 1002
PG11	H3A.P-SF-1L-PG11	118 003 227 1008



Housings, cable to cable



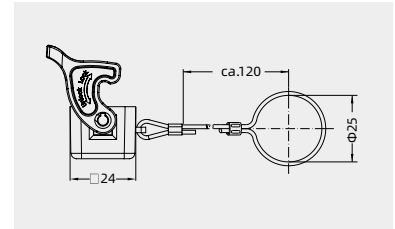
Thread	Designation	Order No.
M20	H3A.P-CCT-1L-M20	118 003 727 1002
PG11	H3A.P-CCT-1L-PG11	118 003 727 1008



Protection covers



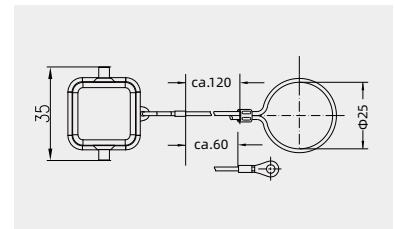
Connect way	Designation	Order No.
	H3A-CV-1L/1M (for male insert)	110 003 027 8001
	H3A-CV-1L/1F (for female insert)	110 003 027 8002



Protection covers, cable to cable



Connect way	Designation	Order No.
	H3A-CV-2B/1M (for male insert)	110 003 010 8001
	H3A-CV-2B/2M (for male insert)	110 003 010 8004
	H3A-CV-2B/1F (for female insert)	110 003 010 8002
	H3A-CV-2B/2F (for female insert)	110 003 010 8005



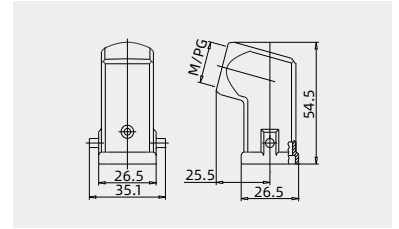
3A Plastic hoods/housings

Degree of protection: IP65

Hoods, side entry



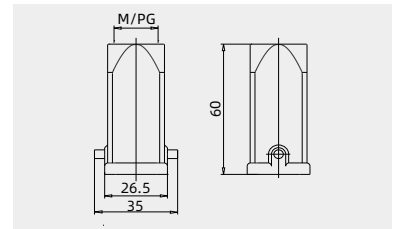
Thread	Designation	Order No.
M20	H3A.P-SE-2B-M20 2B	118 003 510 1506
PG11	H3A.P-SE-2B-PG11 2B	118 003 510 1507



Hoods, top entry



Thread	Designation	Order No.
M20	H3A.P-TE-2B-M20 2B	118 003 410 1511
PG11	H3A.P-TE-2B-PG11 2B	118 003 410 1514



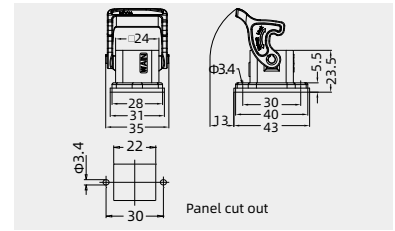
3A Plastic hoods/housings

Degree of protection: IP65

Bulkhead mounted housings



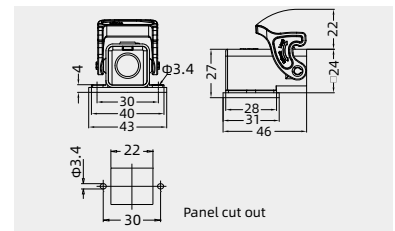
Thread	Designation	Order No.
---	H3A.P-BK-1L 2B	118 003 320 1002



Bulkhead mounted housings



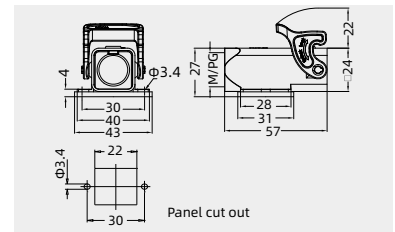
Thread	Designation	Order No.
---	H3A.P-BK-1L-SE 2B	118 003 320 1003



Surface mounted housings



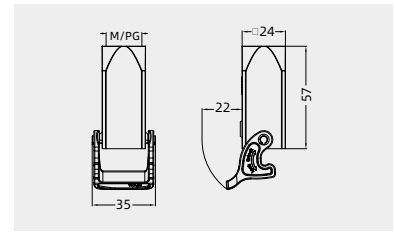
Thread	Designation	Order No.
M20	H3A.P-SF-1L-M20 2B	118 003 220 1002
PG11	H3A.P-SF-1L-PG11 2B	118 003 220 1003



Housings, cable to cable



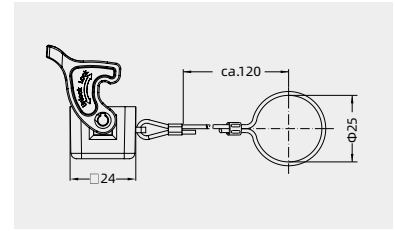
Thread	Designation	Order No.
M20	H3A.P-CCT-1L-M20 2B	118 003 720 1001
PG11	H3A.P-CCT-1L-PG11 2B	118 003 720 1003



Protection covers



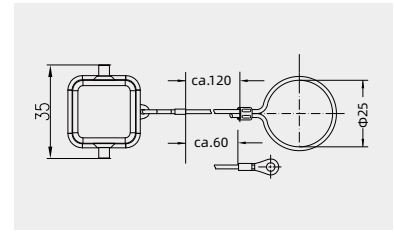
Connect way	Designation	Order No.
	H3A-CV-1L/1M 2B(for male insert)	110 003 020 8002
	H3A-CV-1L/1F 2B(for female insert)	110 003 020 8003



Protection covers, cable to cable



Connect way	Designation	Order No.
	H3A-CV-2B/1M 2B(for male insert)	110 003 010 8511
	H3A-CV-2B/2M 2B(for male insert)	110 003 010 8512
	H3A-CV-2B/1F 2B (for female insert)	110 003 010 8513
	H3A-CV-2B/2F 2B (for female insert)	110 003 010 8514



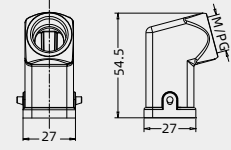
3A Metal hoods/housings

Degree of protection: IP65

Hoods, side entry



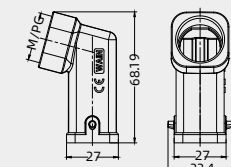
Thread	Designation	Order No.
M20	H3A-SE-2B-M20	110 003 510 1002
PG11	H3A-SE-2B-PG11	110 003 510 1008



Hoods, side entry



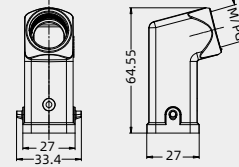
Thread	Designation	Order No.
M25	H3A-SEH-2B-M25	110 003 510 5001
PG16	H3A-SEH-2B-PG16	110 003 510 5002



Hoods, side entry ,high construction



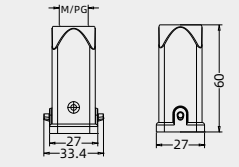
Thread	Designation	Order No.
M20	H3A-SEHC-2B-M20	112 003 510 1001
PG11	H3A-SEHC-2B-PG11	110 003 510 1519



Hoods, top entry



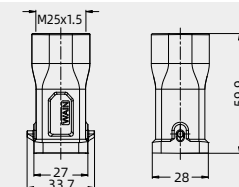
Thread	Designation	Order No.
M20	H3A-TE-2B-M20	110 003 410 1002
PG11	H3A-TE-2B-PG11	110 003 410 1008
PG13.5	H3A-TE-2B-PG13.5	110 003 410 1009



Hoods, top entry



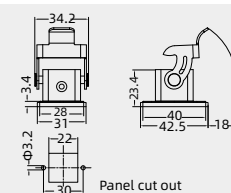
Thread	Designation	Order No.
M25	H3A-TE-2B-M25	110 003 410 1004



Bulkhead mounted housings



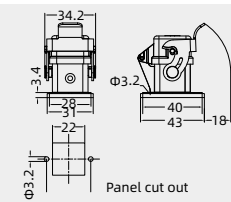
Thread	Designation	Order No.
---	H3A-BK-1L/W	110 003 324 1001



Bulkhead mounted housings



Thread	Designation	Order No.
---	H3A-BK-1L/W-MCV/M(for male insert)	110 003 364 1101
---	H3A-BK-1L/W-MCV/F(for female insert)	110 003 364 1102



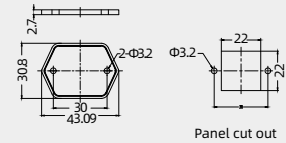
3A Metal hoods/housings

The mounting hole of the mounting cabinet can be temporarily sealed.
Applicable to the installation hole which has been opened, The case where the connector is not installed

Degree of protection: IP65

BK hole cover plate

Thread	Designation	Order No.
---	3A-BK/MCV	110 003 300 8001



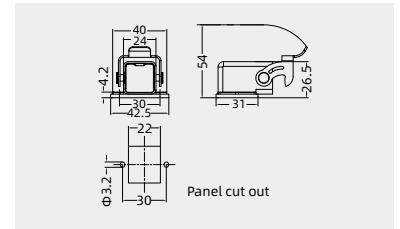
3A Metal hoods/housings

Degree of protection: IP65

Bulkhead mounted housings



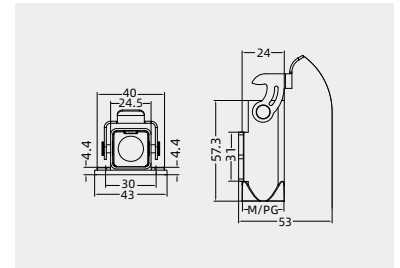
Thread	Designation	Order No.
---	H3A-BK-1L/W-SE	110 003 924 1001



Housings



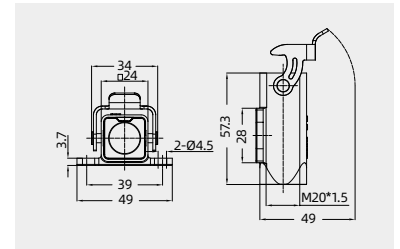
Thread	Designation	Order No.
	不封底	
PG11	H3A-SF/BK-1L/W-PG11	110 003 224 1108
	封底	
M20	H3A-SF-1L/W-M20	110 003 224 1002
PG11	H3A-SF-1L/W-PG11	110 003 224 1008
PG13.5	H3A-SF-1L/W-PG13.5	110 003 224 1009



Housings



Thread	Designation	Order No.
M20	H3A-SF-1L/W-M20-D39	101 000 099 0177

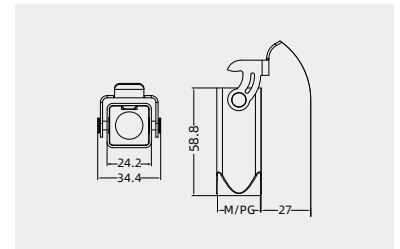


Different installation holes

Housings, cable to cable



Thread	Designation	Order No.
M20	H3A-CCT-1L/W-M20	110 003 724 1002
PG11	H3A-CCT-1L/W-PG11	110 003 724 1008



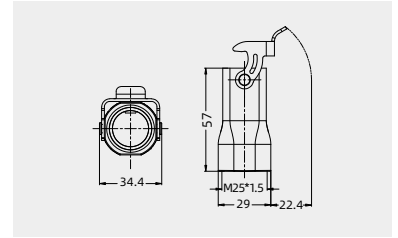
3A Metal hoods/housings

Degree of protection: IP65

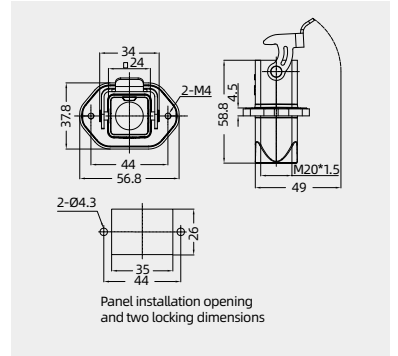
Housings, cable to cable



Thread	Designation	Order No.
M25	H3A-CCT-1L/W-M25	110 003 724 1003

Housings, cable to cable
Under-shell through-board
installation

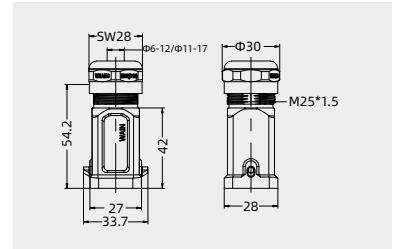
Thread	Designation	Order No.
M20	H3A-CCT/BK-IL/W-M20	110 003 724 1514



Hoods, top entry,with cable gland



Thread	Designation	Order No.
M25	H3A-TE-2B-OM25(D6-12)	110 003 410 1003
M25	H3A-TE-2B-OM25(D11-17)	110 003 410 1103



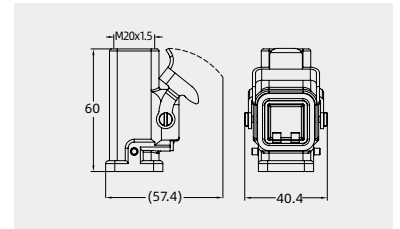
3A Metal hoods/housings

Degree of protection: IP65

Hoods, top entry



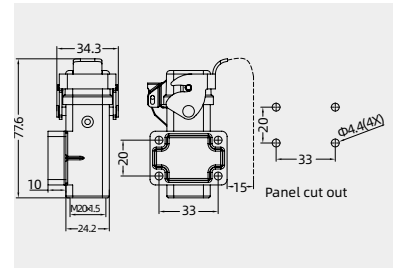
Thread	Designation	Order No.
---	H3A-TE-2B-1L/S-M20	110 003 265 8002



Surface mounted housings



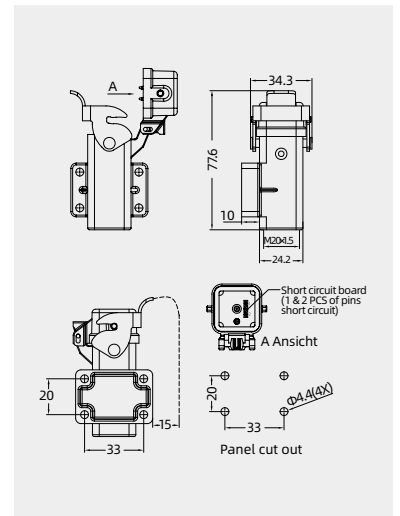
Thread	Designation	Order No.
M20	H3A-SF-1L/S-M20-MCV/F (for female insert)	110 003 265 1502



Surface mounted housings with PCB



Thread	Designation	Order No.
M20	H3A-SF-1L/S-M20-MCV/PC(1、2) (for female insert) ¹⁾	110 003 265 8001



1). Only suitable for HA-004 series.

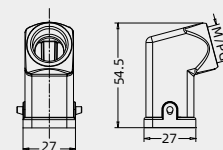
3A Metal hoods/housings (EMC)

Degree of protection: IP65

Hoods, side entry



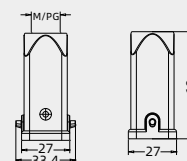
Thread	Designation	Order No.
M20	EMC.H3A-SE-2B-M20	110 603 510 1002
PG11	EMC.H3A-SE-2B-PG11	110 603 510 1008



Hoods, side entry



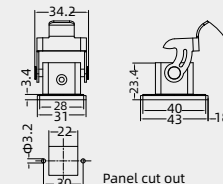
Thread	Designation	Order No.
M20	EMC.H3A-TE-2B-M20	110 603 410 1002
PG11	EMC.H3A-TE-2B-PG11	110 603 410 1008



Bulkhead mounted housings



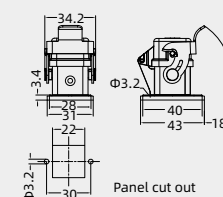
Thread	Designation	Order No.
---	EMCD.H3A-BK-1L/W	110 603 324 1101



Bulkhead mounted housings



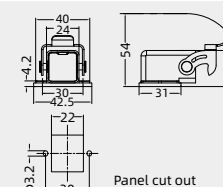
Thread	Designation	Order No.
---	EMCD.H3A-BK-1L/W-MCV/M(for male insert)	110 603 364 1101
---	EMCD.H3A-BK-1L/W-MCV/F(for female insert)	110 603 364 1102



Bulkhead mounted housings



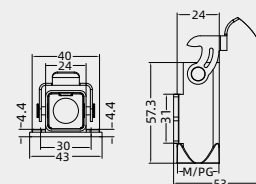
Thread	Designation	Order No.
---	EMCD.H3A-BK-1L/W-SE	110 603 924 1101



Surface mounted housings



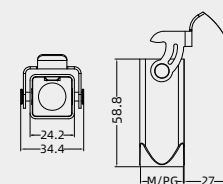
Thread	Designation	Order No.
M20	EMC.H3A-SF-1L/W-M20	110 603 224 1002
PG11	EMC.H3A-SF-1L/W-PG11	110 603 224 1008



Housings, cable to cable



Thread	Designation	Order No.
M20	EMC.H3A-CCT-1L/W-M20	110 603 724 1002
PG11	EMC.H3A-CCT-1L/W-PG11	110 603 724 1008

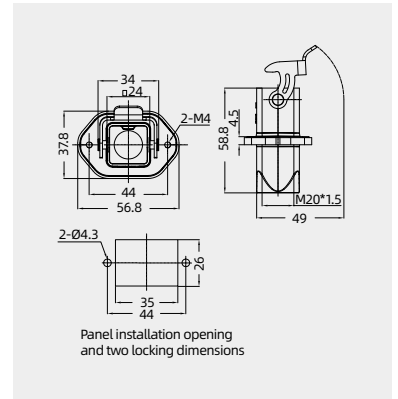


3A Metal hoods/housings (EMC)

Degree of protection: IP65

Housings, cable to cable,
plate installation

Thread	Designation	Order No.
M20	EMC.H3A-CCT/BK-1L/W-M20	110 603 724 1500



3A Metal hoods/housings (EMC)

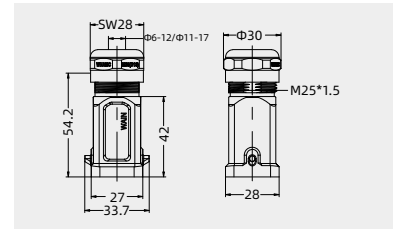
Degree of protection: IP65

EMC

Hoods, top entry, with cable gland



Thread	Designation	Order No.
M25	EMC.H3A-TE-2B-OM25(D6-12)	110 603 410 1003
M25	EMC.H3A-TE-2B-OM25(D11-17)	110 603 410 1203

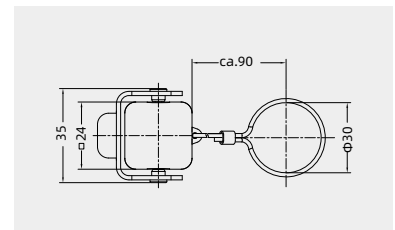


Degree of protection: IP65

Protection covers



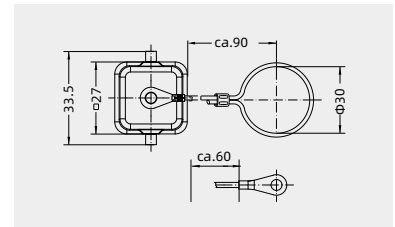
Connect way	Designation	Order No.
	H3A-MCV-1L/1M (for male insert)	110 003 024 8101
	H3A-MCV-1L/1F (for female insert)	110 003 024 8102



Protection covers



Connect way	Designation	Order No.
	H3A-MCV-2B/1M (for male insert)	110 003 010 8101
	H3A-MCV-2B/2M (for male insert)	110 003 010 8104
	H3A-MCV-2B/1F (for female insert)	110 003 010 8102
	H3A-MCV-2B/2F (for female insert)	110 003 010 8105



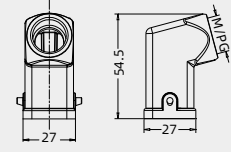
3A Metal hoods/housings -Suitable for harsh environment(anti-corrosion)

Degree of protection: IP65

Hoods, side entry



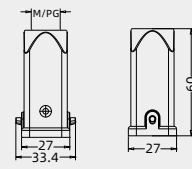
Thread	Designation	Order No.
M20	H3A-MSE-2B-M20	112 003 510 1002
PG11	H3A-MSE-2B-PG11	112 003 510 1008



Hoods, side entry



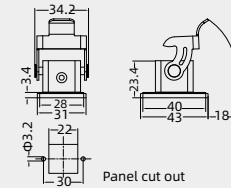
Thread	Designation	Order No.
M20	H3A-MTE-2B-M20	112 003 410 1002
PG11	H3A-MTE-2B-PG11	112 003 410 1008



Bulkhead mounted housings



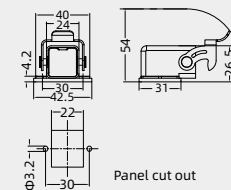
Thread	Designation	Order No.
---	H3A-MBK-1L/S	112 003 325 1001



Bulkhead mounted housings



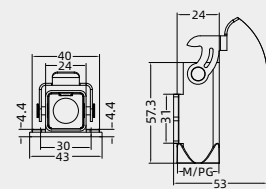
Thread	Designation	Order No.
---	H3A-MBK-1L/S-SE	112 003 925 1001



Surface mounted housings



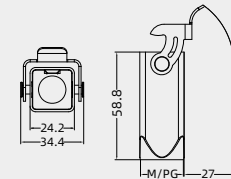
Thread	Designation	Order No.
M20	H3A-MSF-1L/S-M20	112 003 225 1002
PG11	H3A-MSF-1L/S-PG11	112 003 225 1008



Housings, cable to cable



Thread	Designation	Order No.
M20	H3A-MCCT-1L/S-M20	112 003 725 1002
PG11	H3A-MCCT-1L/S-PG11	112 003 725 1008


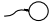


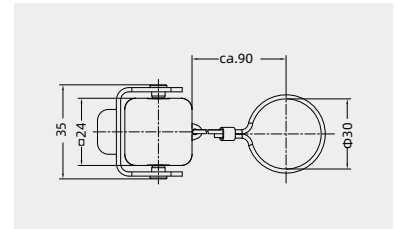
3A Metal hoods/housings -Suitable for harsh environment(anti-corrosion)

Degree of protection: IP65

Protection covers

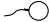





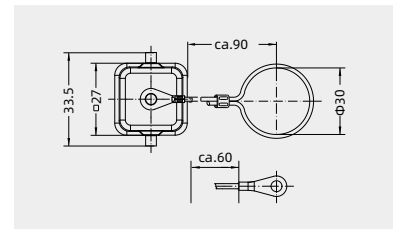
Connect way	Designation	Order No.
	H3A-MMCV-1L/1M (for male insert)	112 003 025 8001
	H3A-MMCV-1L/1F (for female insert)	112 003 025 8002



Protection covers



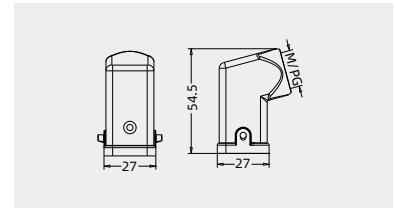
Connect way	Designation	Order No.
	H3A-MMCV-2B/1M (for male insert)	112 003 010 8001
	H3A-MMCV-2B/1F (for female insert)	112 003 010 8002
	H3A-MMCV-2B/2M (for male insert)	112 003 010 8003
	H3A-MMCV-2B/2F (for female insert)	112 003 010 8004



Hoods, side entry



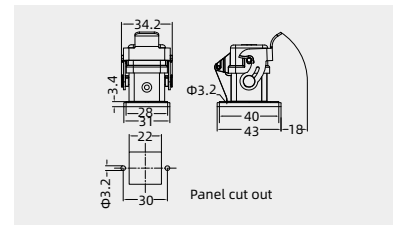
Thread	Designation	Order No.
M20	H3A-MSE2/S-2B/S-M20	112 003 515 1002



Bulkhead mounted housings



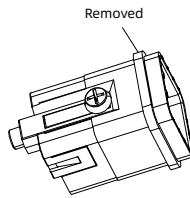
Thread	Designation	Order No.
---	H3A-MBK-1L/S-MMCV/S/S	112 003 365 1103



3A Pressure tight hoods/housings

Epoxy powder coating

Degree of protection: IP68/IP69K



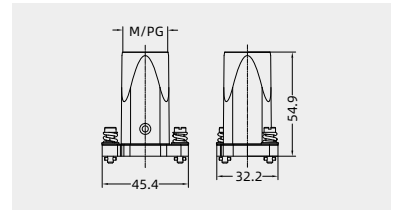
Note: Before installation, if there is a square seal ring on the used insert, the seal ring shall be removed before installation. For more details, please contact us.

H version

Hoods, top entry



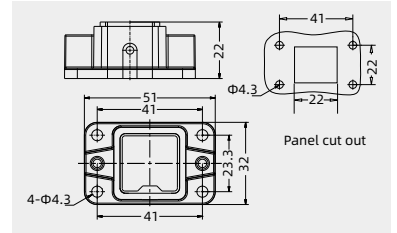
Thread	Designation	Order No.
	Epoxy powder coating · Screw locking	
M20	HP3A/H-TE-2S-M20	113 003 420 1002
PG13.5	HP3A/H-TE-2S-PG13.5	113 003 420 1009
	Epoxy powder coating · Toggle locking	
M20	HP3A/H-TE-2T-M20	113 003 440 1002
PG13.5	HP3A/H-TE-2T-PG13.5	113 003 440 1009



Bulkhead mounted housings*



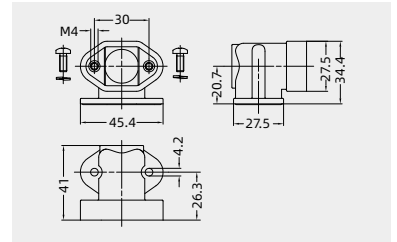
Thread	Designation	Order No.
	Epoxy powder coating · Screw locking	
---	HP3A/H-BK-2H	113 003 320 1001
	Epoxy powder coating · Toggle locking	
---	HP3A/H-BK-2T	113 003 340 1001



Adaptor for Housings



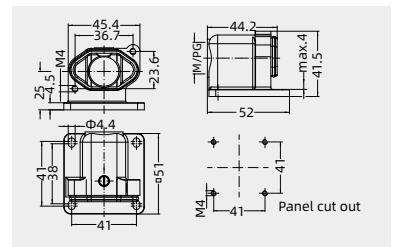
Thread	Designation	Order No.
	Epoxy powder coating	
---	HP3A/H-BK-SE	113 003 900 1001



Surface mounted housings



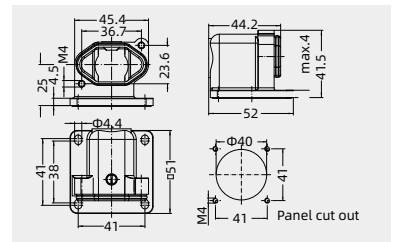
Thread	Designation	Order No.
	Epoxy powder coating · Screw locking	
M20	HP3A/H-SF-2H-M20	113 003 220 1002
PG13.5	HP3A/H-SF-2H-PG13.5	113 003 220 1009



Bulkhead mounted housings



Thread	Designation	Order No.
	Epoxy powder coating · Screw locking	
---	HP3A/H-SF-2H	113 003 220 1001



3A Pressure tight hoods/housings

Epoxy powder coating

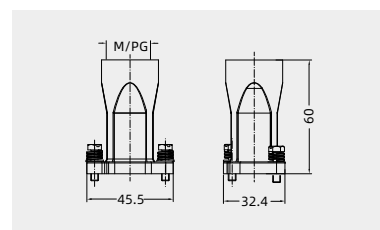
Degree of protection: IP68/IP69K

H version

Hoods, top entry, high construction



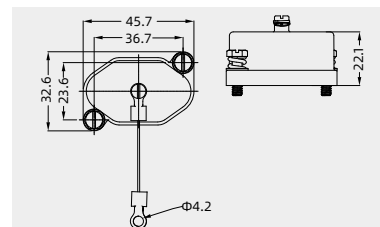
Thread	Designation	Order No.
	Epoxy powder coating · Screw locking	
M25	HP3A/H-TEH-2S-M25	113 003 420 5003
	Epoxy powder coating · Toggle locking	
M25	HP3A/H-TEH-2T-M25	113 003 440 5003



Protection covers, for housings



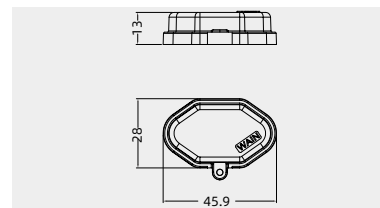
Connect way	Designation	Order No.
	Epoxy powder coating · Screw locking	
---	HP3A/H-MCV-2S	113 003 020 8103
	HP3A/H-MCV-2S/2S	113 003 020 8102
	Epoxy powder coating · Toggle locking	
---	HP3A/H-MCV-2T	113 003 040 8103
	HP3A/H-MCV-2T/2S	113 003 040 8102



Protection covers, for housings(IP5X)



Connect way	Designation	Order No.
---	HP3A/H-CV/C	113 003 900 8001



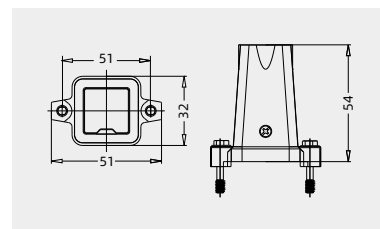
Degree of protection: IP68/IP69K

W version

Hoods, top entry



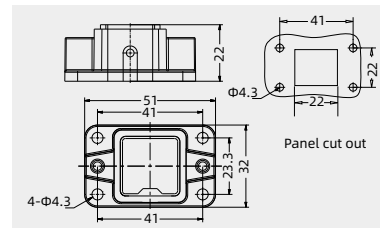
Thread	Designation	Order No.
M20	HP3A-TE-2S-M20	115 003 420 1002
PG11	HP3A-TE-2S-PG11	115 003 420 1008



Bulkhead mounted housings



Thread	Designation	Order No.
---	HP3A-BK-2H	115 003 320 1001



3A Pressure tight hoods/housings

Epoxy powder coating

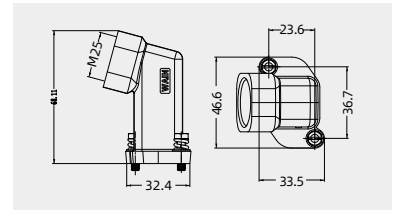
Degree of protection: IP68/IP69K

H version

Hoods, side entry, high construction



Thread	Designation	Order No.
	Epoxy powder coating · Screw locking	
M20	HP3A/H-SEH-2S-M20	113 003 520 5002
M25	HP3A/H-SEH-2S-M25	113 003 520 5001
	Epoxy powder coating · Toggle locking	
M20	HP3A/H-SEH-2T-M20	113 003 540 5002
M25	HP3A/H-SEH-2T-M25	113 003 540 5001



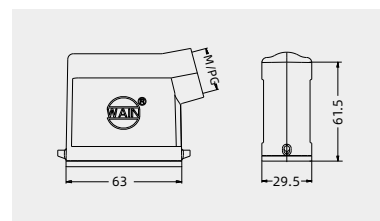
10A Metal hoods/housings

Degree of protection: IP65

Hoods, side entry



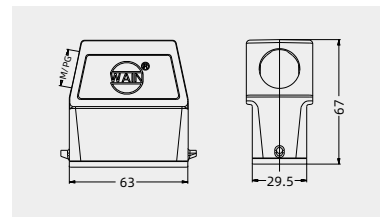
Thread	Designation	Order No.
M20	H10A-SE-2B-M20	110 010 510 1002
PG16	H10A-SE-2B-PG16	110 010 510 1010



Hoods, side entry, high construction



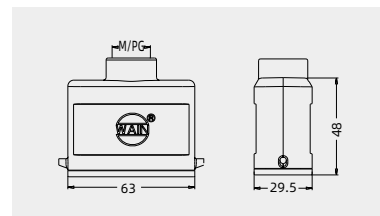
Thread	Designation	Order No.
M25	H10A-SEH-2B-M25	110 010 510 5003
PG16	H10A-SEH-2B-PG16	110 010 510 5010
PG21	H10A-SEH-2B-PG21	110 010 510 5011



Hoods, top entry



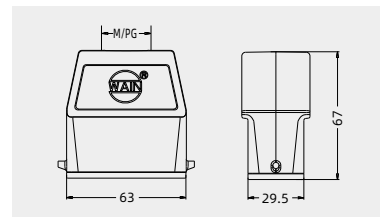
Thread	Designation	Order No.
M20	H10A-TE-2B-M20	110 010 410 1002
PG13.5	H10A-TE-2B-PG13.5	110 010 410 1009



Hoods, top entry, high construction



Thread	Designation	Order No.
M25	H10A-TEH-2B-M25	110 010 410 5003
PG16	H10A-TEH-2B-PG16	110 010 410 5010
PG21	H10A-TEH-2B-PG21	110 010 410 5011

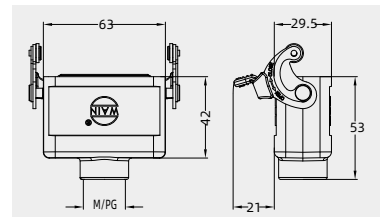


Housings, cable to cable



Thread	Designation	Order No.
M20	H10A-CCT-1L/SC-M20	110 010 721 1002
PG13.5	H10A-CCT-1L/SC-PG13.5	110 010 721 1009
PG16	H10A-CCT-1L/SC-PG16	110 010 721 1010

Please refer to page 15-02 for choosing proper model of lock.

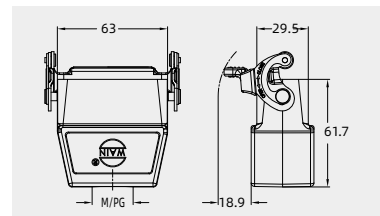


Housings, cable to cable ,high construction



Thread	Designation	Order No.
M25	H10A-CCTH-1L/SC-M25	110 010 721 5003
PG16	H10A-CCTH-1L/SC-PG16	110 010 721 5010
PG21	H10A-CCTH-1L/SC-PG21	110 010 721 5011

Please refer to page 15-02 for choosing proper model of lock.



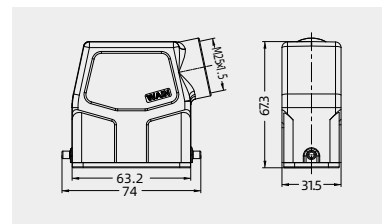
10A Plastic hoods/housings

Degree of protection: IP65

Hoods, side entry, high construction



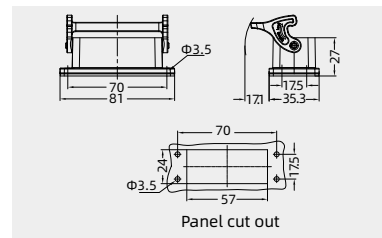
Thread	Designation	Order No.
M25	H10A.P-SEH-2B-M25	118 010 510 5001



Bulkhead mounted housings



Thread	Designation	Order No.
---	H10A.P-BK-1L	118 010 320 1001



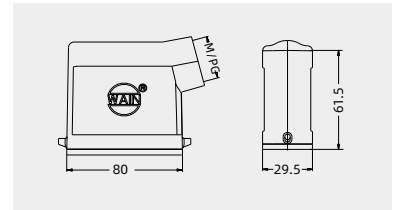
16A Metal hoods/housings

Degree of protection: IP65

Hoods, side entry



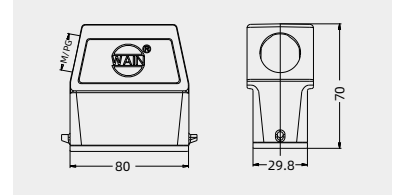
Thread	Designation	Order No.
M20	H16A-SE-2B-M20	110 016 510 1002
PG16	H16A-SE-2B-PG16	110 016 510 1010



Hoods, side entry, high construction



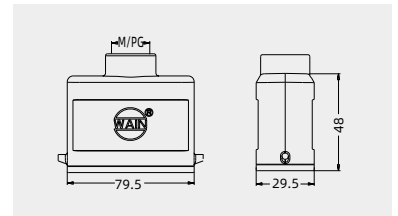
Thread	Designation	Order No.
M25	H16A-SEH-2B-M25	110 016 510 5003
PG16	H16A-SEH-2B-PG16	110 016 510 5010
PG21	H16A-SEH-2B-PG21	110 016 510 5011



Hoods, top entry



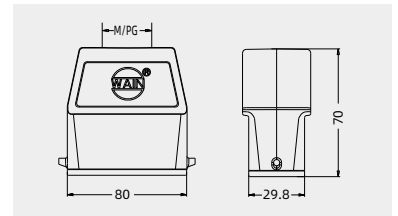
Thread	Designation	Order No.
M20	H16A-TE-2B-M20	110 016 410 1002
PG16	H16A-TE-2B-PG16	110 016 410 1010



Hoods, top entry, high construction



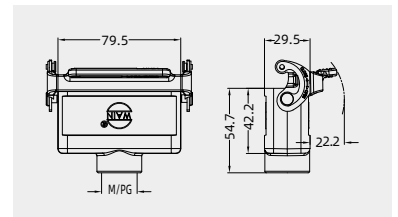
Thread	Designation	Order No.
M25	H16A-TEH-2B-M25	110 016 410 5003
PG16	H16A-TEH-2B-PG16	110 016 410 5010
PG21	H16A-TEH-2B-PG21	110 016 410 5011



Housings, cable to cable



Thread	Designation	Order No.
M20	H16A-CCT-1L/SC-M20	110 016 721 1002
PG13.5	H16A-CCT-1L/SC-PG13.5	110 016 721 1009
PG16	H16A-CCT-1L/SC-PG16	110 016 721 1010

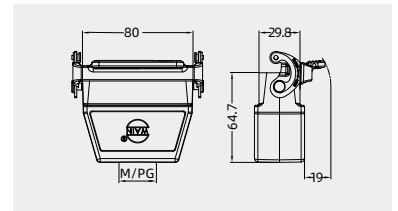


Please refer to page 15-02 for choosing proper model of lock.

Housings, cable to cable, high construction



Thread	Designation	Order No.
M25	H16A-CCTH-1L/SC-M25	110 016 721 5003
PG16	H16A-CCTH-1L/SC-PG16	110 016 721 5010
PG21	H16A-CCTH-1L/SC-PG21	110 016 721 5011



Please refer to page 15-02 for choosing proper model of lock.

16A Metal hoods/housings

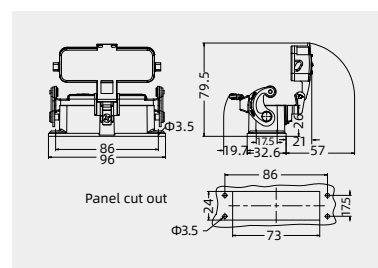
Degree of protection: IP65

Bulkhead mounted housings



Thread	Designation	Order No.
---	H16A-BK-1L/SC with plastic cover	110 016 321 1001
---	H16A-BK-1L/SC-CV with metal cover	110 016 361 1001
---	H16A-BK-1L/SC-MCV	110 016 361 1101

Please refer to page 15-02 for choosing proper model of lock.

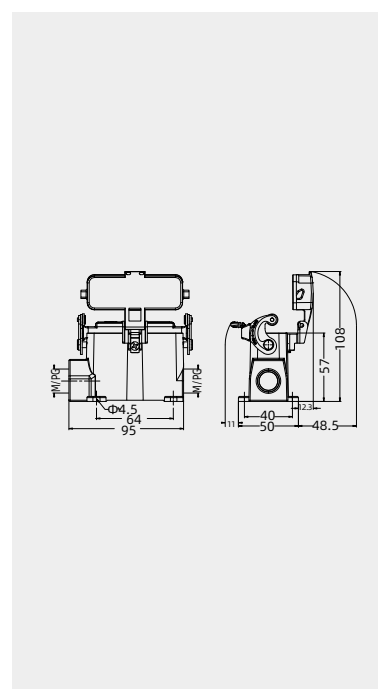


Surface mounted housings



Thread	Designation	Order No.
M20	H16A-SF-1L/SC-M20	110 016 221 1002
2M20	H16A-SF-1L/SC-2M20	110 016 221 1022
M25	H16A-SF-1L/SC-M25	110 016 221 1003
2M25	H16A-SF-1L/SC-2M25	110 016 221 1023
PG16	H16A-SF-1L/SC-PG16	110 016 221 1010
2PG16	H16A-SF-1L/SC-2PG16	110 016 221 1030
PG21	H16A-SF-1L/SC-PG21	110 016 221 1011
	with plastic cover	
M20	H16A-SF-1L/SC-CV-M20	110 016 261 1002
2M20	H16A-SF-1L/SC-CV-2M20	110 016 261 1022
M25	H16A-SF-1L/SC-CV-M25	110 016 261 1003
2M25	H16A-SF-1L/SC-CV-2M25	110 016 261 1023
PG16	H16A-SF-1L/SC-CV-PG16	110 016 261 1010
2PG16	H16A-SF-1L/SC-CV-2PG16	110 016 261 1030
PG21	H16A-SF-1L/SC-CV-PG21	110 016 261 1011
	with metal cover	
M20	H16A-SF-1L/SC-MCV-M20	110 016 261 1102
2M20	H16A-SF-1L/SC-MCV-2M20	110 016 261 1122
M25	H16A-SF-1L/SC-MCV-M25	110 016 261 1103
2M25	H16A-SF-1L/SC-MCV-2M25	110 016 261 1123
PG16	H16A-SF-1L/SC-MCV-PG16	110 016 261 1110
2PG16	H16A-SF-1L/SC-MCV-2PG16	110 016 261 1130
PG21	H16A-SF-1L/SC-MCV-PG21	110 016 261 1111

Please refer to page 15-02 for choosing proper model of lock.

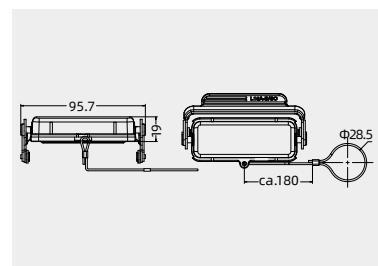


Protection covers



Connect way	Applications	Designation	Order No.
	for hoods	H16A-MCV-1L/SC.1	110 016 021 8101

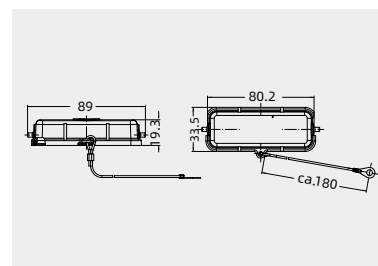
Please refer to page 15-02 for choosing proper model of lock.



Protection covers



Connect way	Applications	Designation	Order No.
	for housings	H16A-MCV-2B/1S	110 016 010 8101
	for housings	H16A-MCV-2B/2S	110 016 010 8102



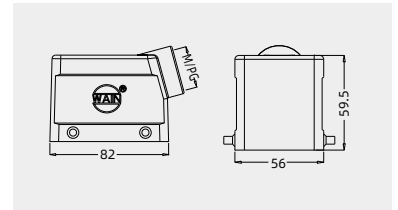
32A Metal hoods/housings

Degree of protection: IP65

Hoods, side entry



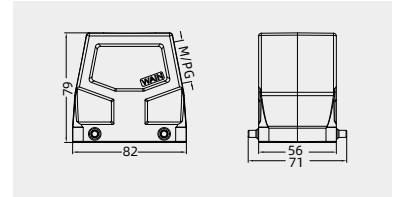
Thread	Designation	Order No.
M25	H32A-SE-4B-M25	110 032 530 1003
PG21	H32A-SE-4B-PG21	110 032 530 1011



Hoods, side entry, high construction



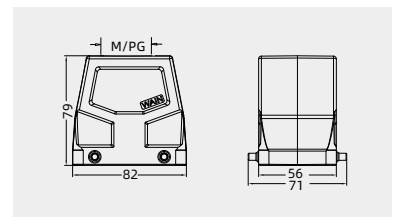
Thread	Designation	Order No.
M32	W32A-SEH-4B-M32	110 132 530 5001
PG21	W32A-SEH-4B-PG21	110 132 530 5002
PG29	W32A-SEH-4B-PG29	110 132 530 5003



Hoods, top entry, high construction



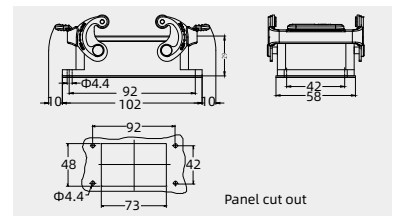
Thread	Designation	Order No.
M25	W32A-TEH-4B-M25	110 132 430 5001
M32	W32A-TEH-4B-M32	110 132 430 5002
PG21	W32A-TEH-4B-PG21	110 132 430 5003
PG29	W32A-TEH-4B-PG29	110 132 430 5004



Bulkhead mounted housings



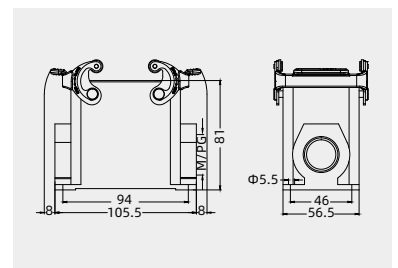
Thread	Designation	Order No.
---	H32A-BK-2L/SC	110 032 341 1001



Housings, surface mounting



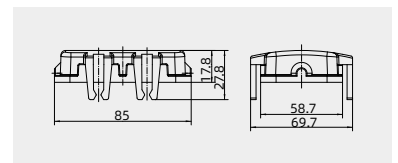
Thread	Designation	Order No.
M25	H32A-SF-2L/SC-M25	110 032 241 1003
M32	H32A-SF-2L/SC-M32	110 032 241 1004
2M32	H32A-SF-2L/SC-2M32	110 032 241 1024
PG21	H32A-SF-2L/SC-PG21	110 032 241 1011
2PG21	H32A-SF-2L/SC-2PG21	110 032 241 1031
PG29	H32A-SF-2L/SC-PG29	110 032 241 1012
2PG29	H32A-SF-2L/SC-2PG29	110 032 241 1032



Please refer to page 15-02 for choosing proper model of lock.

Protection covers, plastic cover
4 clamps

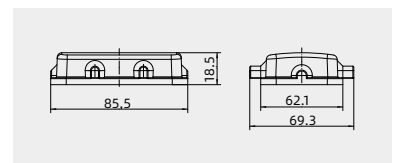
Connect way	Applications	Designation	Order No.
	for hoods	H32A-CV-4C	110 032 090 8009



Protection covers, plastic cover



Connect way	Applications	Designation	Order No.
	for cable to cable	H32A-CV-4B/1	110 032 030 8001
	for housings	H32A-CV-4B/2	110 032 030 8002



32A Metal hoods/housings

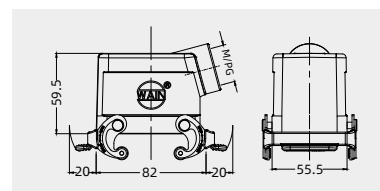
Degree of protection: IP65

Hoods, side entry



Thread	Designation	Order No.
M25	H32A-SE-2L/SC-M25	110 032 541 1003
PG21	H32A-SE-2L/SC-PG21	110 032 541 1011

Please refer to page 15-02 for choosing proper model of lock.

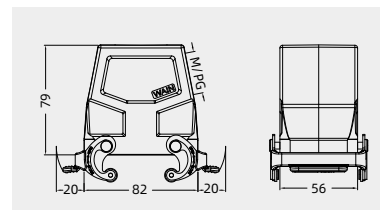


Hoods, side entry, high construction



Thread	Designation	Order No.
M32	W32A-SEH-2L/SC-M32	110 132 541 5001
PG21	W32A-SEH-2L/SC-PG21	110 132 541 5002
PG29	W32A-SEH-2L/SC-PG29	110 132 541 5003

Please refer to page 15-02 for choosing proper model of lock.

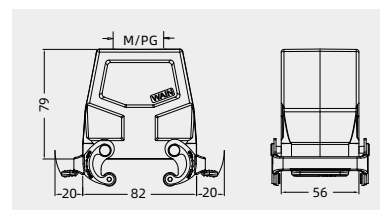


Hoods, top entry, high construction



Thread	Designation	Order No.
M25	W32A-TEH-2L/SC-M25	110 132 441 5001
M32	W32A-TEH-2L/SC-M32	110 132 441 5002
PG21	W32A-TEH-2L/SC-PG21	110 132 441 5003
PG29	W32A-TEH-2L/SC-PG29	110 132 441 5004

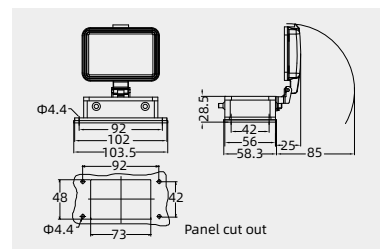
Please refer to page 15-02 for choosing proper model of lock.



Bulkhead mounted housings



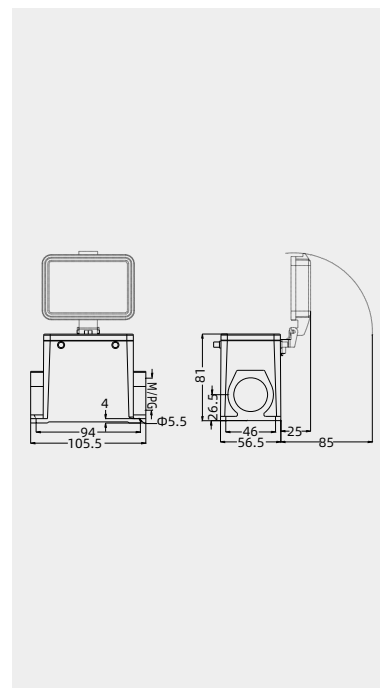
Thread	Designation	Order No.
---	H32A-BK-4B with plastic cover	110 032 330 1001
---	H32A-BK-4B-CV with metal cover	110 032 370 1001
---	H32A-BK-4B-MCV	110 032 370 1101



Surface mounted housings



Thread	Designation	Order No.
M25	H32A-SF-4B-M25	110 032 230 1003
M32	H32A-SF-4B-M32	110 032 230 1004
2M32	H32A-SF-4B-2M32	110 032 230 1024
PG21	H32A-SF-4B-PG21	110 032 230 1011
2PG21	H32A-SF-4B-2PG21	110 032 230 1031
PG29	H32A-SF-4B-PG29	110 032 230 1012
2PG29	H32A-SF-4B-2PG29	110 032 230 1032
	with plastic cover	
M25	H32A-SF-4B-CV-M25	110 032 270 1003
M32	H32A-SF-4B-CV-M32	110 032 270 1004
2M32	H32A-SF-4B-CV-2M32	110 032 270 1024
PG21	H32A-SF-4B-CV-PG21	110 032 270 1011
2PG21	H32A-SF-4B-CV-2PG21	110 032 270 1031
PG29	H32A-SF-4B-CV-PG29	110 032 270 1012
2PG29	H32A-SF-4B-CV-2PG29	110 032 270 1032
	with metal cover	
M25	H32A-SF-4B-MCV-M25	110 032 270 1103
M32	H32A-SF-4B-MCV-M32	110 032 270 1104
2M32	H32A-SF-4B-MCV-2M32	110 032 270 1124
PG21	H32A-SF-4B-MCV-PG21	110 032 270 1111
2PG21	H32A-SF-4B-MCV-2PG21	110 032 270 1131
PG29	H32A-SF-4B-MCV-PG29	110 032 270 1112
2PG29	H32A-SF-4B-MCV-2PG29	110 032 270 1132



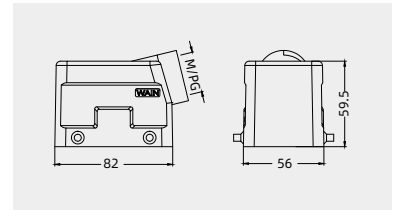
32A Metal hoods/housings

Degree of protection: IP67

Hoods, side entry



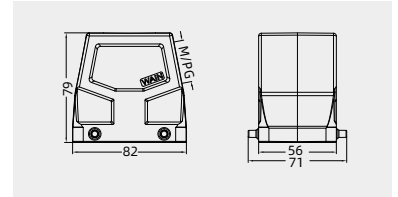
Thread	Designation	Order No.
M25	W32A-SE-4B-M25	110 132 530 1001
PG21	W32A-SE-4B-PG21	110 132 530 1003



Hoods, side entry, high construction



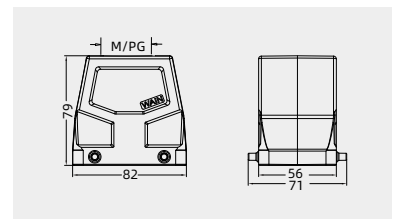
Thread	Designation	Order No.
M32	W32A-SEH-4B-M32	110 132 530 5001
PG21	W32A-SEH-4B-PG21	110 132 530 5002
PG29	W32A-SEH-4B-PG29	110 132 530 5003



Hoods, top entry, high construction



Thread	Designation	Order No.
M25	W32A-TEH-4B-M25	110 132 430 5001
M32	W32A-TEH-4B-M32	110 132 430 5002
PG21	W32A-TEH-4B-PG21	110 132 430 5003
PG29	W32A-TEH-4B-PG29	110 132 430 5004

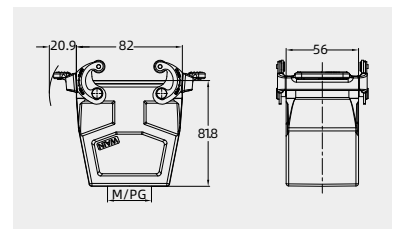


Housings, cable to cable ,high construction



Thread	Designation	Order No.
M25	W32A-CCTH-2L/SC-M25	110 132 741 5002
M32	W32A-CCTH-2L/SC-M32	110 132 741 5003
PG21	W32A-CCTH-2L/SC-PG21	110 132 741 5001
PG29	W32A-CCTH-2L/SC-PG29	110 132 741 5004

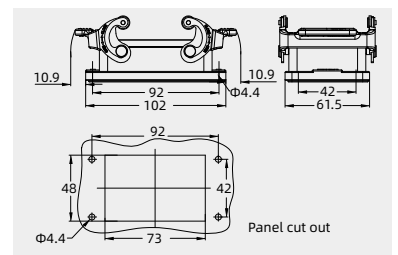
Please refer to page 15-02 for choosing proper model of lock.



Bulkhead mounted housings



Thread	Designation	Order No.
---	W32A-BK-2L/SC	110 132 341 1001



32A Metal hoods/housings

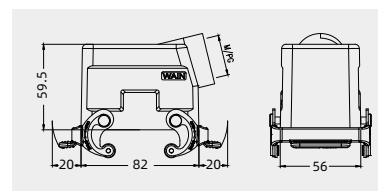
Degree of protection: IP67

Hoods, side entry



Thread	Designation	Order No.
M25	W32A-SE-2L/SC-M25	110 132 541 1001
PG21	W32A-SE-2L/SC-PG21	110 132 541 1002

Please refer to page 15-02 for choosing proper model of lock.

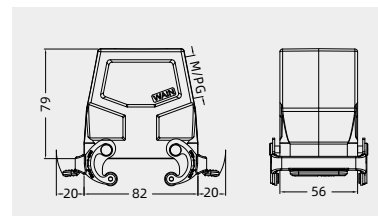


Hoods, side entry, high construction



Thread	Designation	Order No.
M32	W32A-SEH-2L/SC-M32	110 132 541 5001
PG21	W32A-SEH-2L/SC-PG21	110 132 541 5002
PG29	W32A-SEH-2L/SC-PG29	110 132 541 5003

Please refer to page 15-02 for choosing proper model of lock.

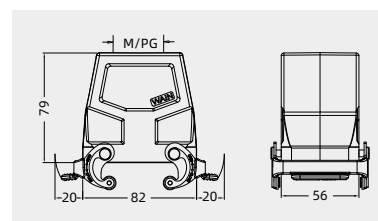


Hoods, top entry, high construction



Thread	Designation	Order No.
M25	W32A-TEH-2L/SC-M25	110 132 441 5001
M32	W32A-TEH-2L/SC-M32	110 132 441 5002
PG21	W32A-TEH-2L/SC-PG21	110 132 441 5003
PG29	W32A-TEH-2L/SC-PG29	110 132 441 5004

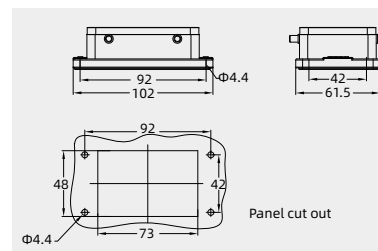
Please refer to page 15-02 for choosing proper model of lock.



Bulkhead mounted housings



Thread	Designation	Order No.
---	W32A-BK-4B	110 132 330 1001
	with plastic cover	
---	W32A-BK-4B-CV	110 132 330 8001
	with metal cover	
---	W32A-BK-4B-MCV	110 132 330 8002



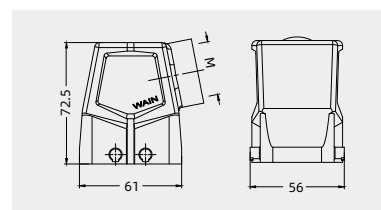
6B Plastic hoods/housings

Degree of protection: IP65

Hoods, side entry, high construction



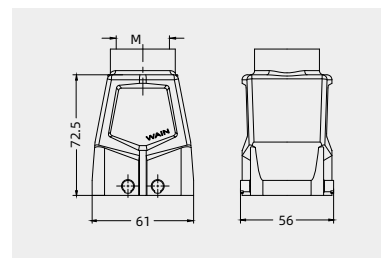
Thread	Designation	Order No.
M25	H6B.P-SEH-4B-M25	117 006 530 5003
M32	H6B.P-SEH-4B-M32	117 006 530 5004



Hoods, top entry, high construction



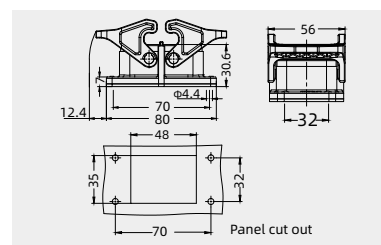
Thread	Designation	Order No.
M25	H6B.P-TEH-4B-M25	117 006 430 5003
M32	H6B.P-TEH-4B-M32	117 006 430 5004



Bulkhead mounted housings



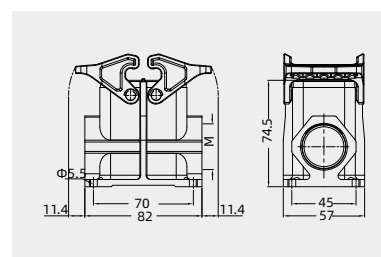
Thread	Designation	Order No.
---	H6B.P-BK-2L	117 006 347 1001



Surface mounted housings, high construction



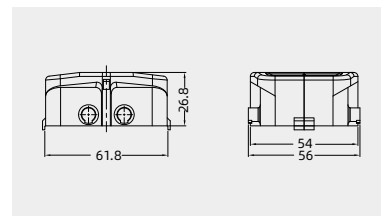
Thread	Designation	Order No.
M25	H6B.P-SFH-2L-M25	117 006 247 5003
2M25	H6B.P-SFH-2L-2M25	117 006 247 5023
M32	H6B.P-SFH-2L-M32	117 006 247 5004
2M32	H6B.P-SFH-2L-2M32	117 006 247 5024



Protection covers, for housings



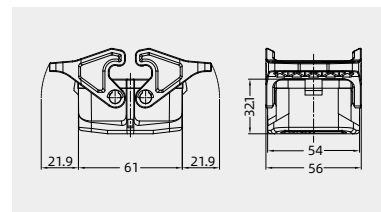
Connect way	Designation	Order No.
---	H6B.P-CV-4B/2	117 006 030 8002



Protection covers, for hoods



Connect way	Designation	Order No.
---	H6B.P-CV-2L/1	117 006 047 8001



6B Modular type plastic hoods/housings

Degree of protection: IP65

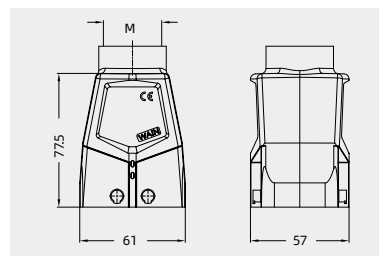


Only applicable to HM module Number of modules: 3

Hoods, side entry, high construction



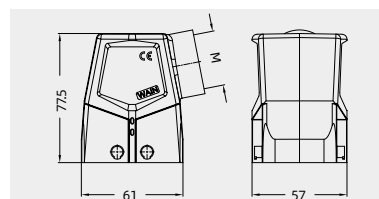
Thread	Designation	Order No.
M25	HM6B.P-TEH-4B-M25	129 006 437 1500
M32	HM6B.P-TEH-4B-M32	129 006 430 1500



Hoods, top entry, high construction



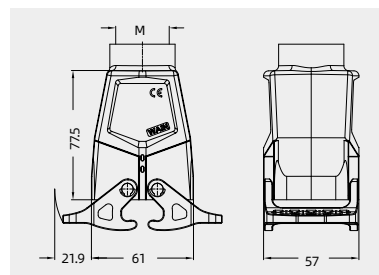
Thread	Designation	Order No.
M25	HM6B.P-SEH-4B-M25	129 006 537 1500
M32	HM6B.P-SEH-4B-M32	129 006 530 1500



Hoods, top entry, high construction



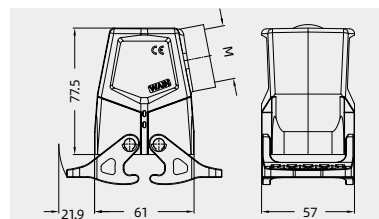
Thread	Designation	Order No.
M25	HM6B.P-TEH-2L-M25	129 006 447 1501
M32	HM6B.P-TEH-2L-M32	129 006 447 1500



Hoods, side entry, high construction



Thread	Designation	Order No.
M25	HM6B.P-SEH-2L-M25	129 006 547 1501
M32	HM6B.P-SEH-2L-M32	129 006 547 1500



6B Modular type plastic hoods/housings

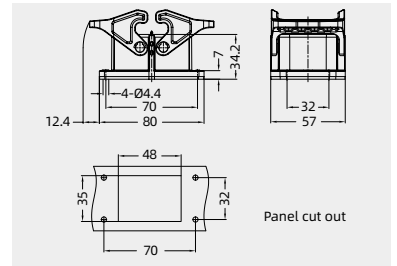
Degree of protection: IP65



Only applicable to HM module Number of modules: 3

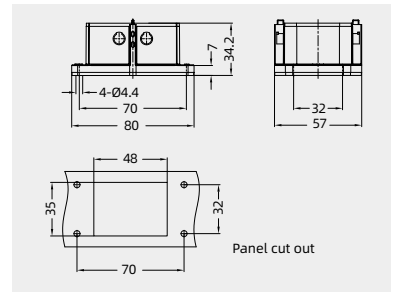
Bulkhead mounted housings

Thread	Designation	Order No.
---	HM6B.P-BK-2L	129 006 347 1500



Bulkhead mounted housings

Thread	Designation	Order No.
---	HM6B.P-BK-4B	129 006 337 1500



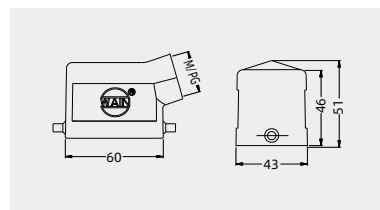
6B Metal hoods/housings

Degree of protection: IP65

Hoods, side entry



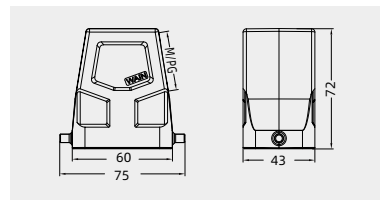
Thread	Designation	Order No.
M20	H6B-SE-2B-M20	111 006 510 1002
M25	H6B-SE-2B-M25	111 006 510 1003
PG13.5	H6B-SE-2B-PG13.5	111 006 510 1009
PG16	H6B-SE-2B-PG16	111 006 510 1010



Hoods, top entry ,high construction



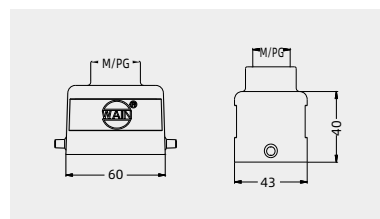
Thread	Designation	Order No.
---	W6B-BEH-2B	111 106 910 5001
M25	W6B-SEH-2B-M25	111 106 510 5001
M32	W6B-SEH-2B-M32	111 106 510 5002
PG21	W6B-SEH-2B-PG21	111 106 510 5003
PG29	W6B-SEH-2B-PG29	111 106 510 5004



Hoods, top entry



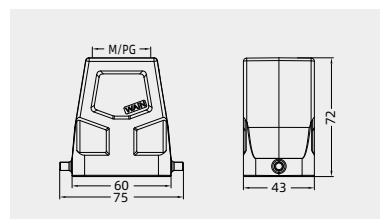
Thread	Designation	Order No.
M20	H6B-TE-2B-M20	111 006 410 1002
M25	H6B-TE-2B-M25	111 006 410 1003
PG13.5	H6B-TE-2B-PG13.5	111 006 410 1009
PG16	H6B-TE-2B-PG16	111 006 410 1010



Hoods, top entry, high construction



Thread	Designation	Order No.
---	W6B-BEH-2B	111 106 910 5001
M25	W6B-TEH-2B-M25	111 106 410 5001
M32	W6B-TEH-2B-M32	111 106 410 5002
PG21	W6B-TEH-2B-PG21	111 106 410 5003
PG29	W6B-TEH-2B-PG29	111 106 410 5004

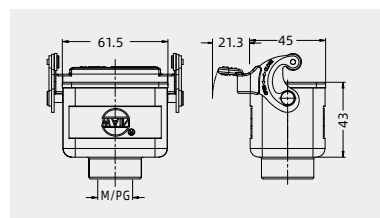


Housings, cable to cable



Thread	Designation	Order No.
M20	H6B-CCT-1L/SC-M20	111 006 721 1002
M25	H6B-CCT-1L/SC-M25	111 006 721 1001
PG13.5	H6B-CCT-1L/SC-PG13.5	111 006 721 1009
PG16	H6B-CCT-1L/SC-PG16	111 006 721 1010

Please refer to page 15-02 for choosing proper model of lock.

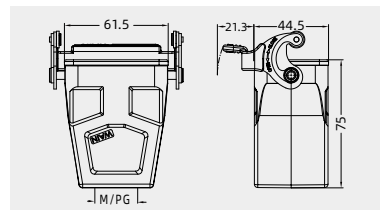


Housings, cable to cable ,high construction



Thread	Designation	Order No.
M25	W6B-CCTH-1L/SC-M25	111 106 721 5001
M32	W6B-CCTH-1L/SC-M32	111 106 721 5002
PG21	W6B-CCTH-1L/SC-PG21	111 106 721 5003
PG29	W6B-CCTH-1L/SC-PG29	111 106 721 5004

Please refer to page 15-02 for choosing proper model of lock.



6B Metal hoods/housings

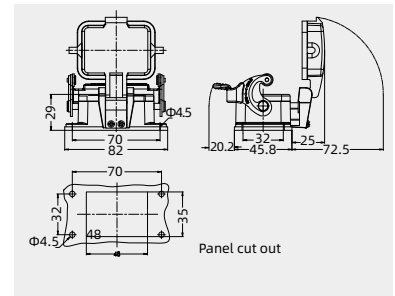
Degree of protection: IP65

Bulkhead mounted housings



Thread	Designation	Order No.
---	H6B-BK-1L/SC with plastic cover	111 006 321 1001
---	H6B-BK-1L/SC-CV with metal cover	111 006 361 1001
---	H6B-BK-1L/SC-MCV	111 006 361 1101

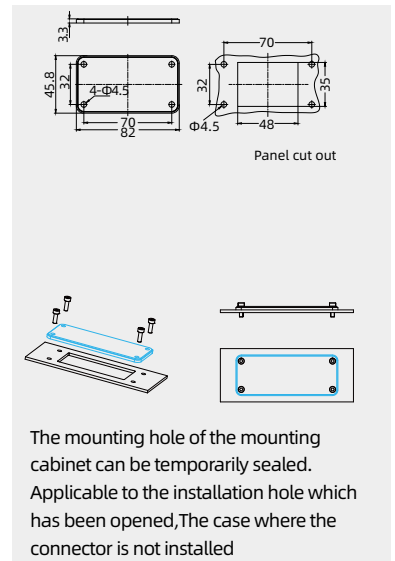
Please refer to page 15-02 for choosing proper model of lock.



BK hole cover plate



Thread	Designation	Order No.
---	6B-BK/MCV	111 006 300 8001



6B Metal hoods/housings

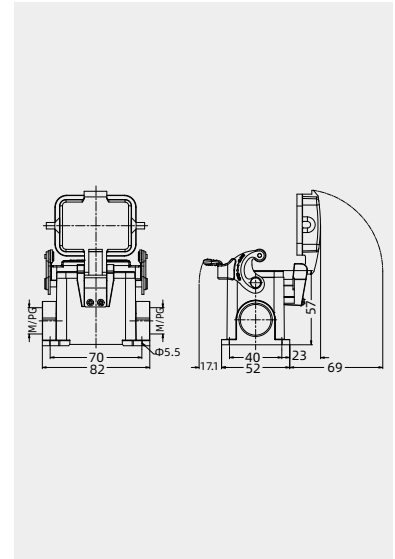
Degree of protection: IP65

Surface mounted housings



Thread	Designation	Order No.
M20	H6B-SF-1L/SC-M20	111 006 221 1002
2M20	H6B-SF-1L/SC-2M20	111 006 221 1022
PG16	H6B-SF-1L/SC-PG16	111 006 221 1010
2PG16	H6B-SF-1L/SC-2PG16	111 006 221 1030
with plastic cover		
M20	H6B-SF-1L/SC-CV-M20	111 006 261 1002
2M20	H6B-SF-1L/SC-CV-2M20	111 006 261 1022
PG16	H6B-SF-1L/SC-CV-PG16	111 006 261 1010
2PG16	H6B-SF-1L/SC-CV-2PG16	111 006 261 1030
with metal cover		
M20	H6B-SF-1L/SC-MCV-M20	111 006 261 1102
2M20	H6B-SF-1L/SC-MCV-2M20	111 006 261 1122
PG16	H6B-SF-1L/SC-MCV-PG16	111 006 261 1110
2PG16	H6B-SF-1L/SC-MCV-2PG16	111 006 261 1130

Please refer to page 15-02 for choosing proper model of lock.

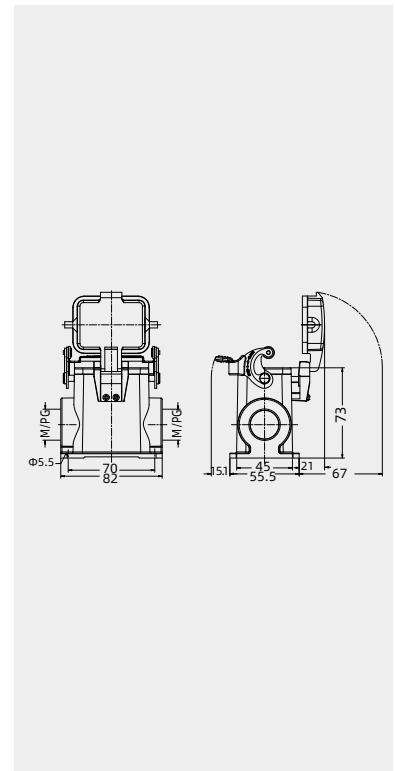


Surface mounted housings, high construction



Thread	Designation	Order No.
M25	H6B-SFH-1L/SC-M25	111 006 221 5003
2M25	H6B-SFH-1L/SC-2M25	111 006 221 5023
M32	H6B-SFH-1L/SC-M32	111 006 221 5004
2M32	H6B-SFH-1L/SC-2M32	111 006 221 5024
PG21	H6B-SFH-1L/SC-PG21	111 006 221 5011
2PG21	H6B-SFH-1L/SC-2PG21	111 006 221 5031
PG29	H6B-SFH-1L/SC-PG29	111 006 221 5012
2PG29	H6B-SFH-1L/SC-2PG29	111 006 221 5032
with plastic cover		
M25	H6B-SFH-1L/SC-CV-M25	111 006 261 5003
2M25	H6B-SFH-1L/SC-CV-2M25	111 006 261 5023
M32	H6B-SFH-1L/SC-CV-M32	111 006 261 5004
2M32	H6B-SFH-1L/SC-CV-2M32	111 006 261 5024
PG21	H6B-SFH-1L/SC-CV-PG21	111 006 261 5011
2PG21	H6B-SFH-1L/SC-CV-2PG21	111 006 261 5031
PG29	H6B-SFH-1L/SC-CV-PG29	111 006 261 5012
2PG29	H6B-SFH-1L/SC-CV-2PG29	111 006 261 5032
with metal cover		
M25	H6B-SFH-1L/SC-MCV-M25	111 006 261 5103
2M25	H6B-SFH-1L/SC-MCV-2M25	111 006 261 5123
M32	H6B-SFH-1L/SC-MCV-M32	111 006 261 5104
2M32	H6B-SFH-1L/SC-MCV-2M32	111 006 261 5124
PG21	H6B-SFH-1L/SC-MCV-PG21	111 006 261 5111
2PG21	H6B-SFH-1L/SC-MCV-2PG21	111 006 261 5131
PG29	H6B-SFH-1L/SC-MCV-PG29	111 006 261 5112
2PG29	H6B-SFH-1L/SC-MCV-2PG29	111 006 261 5132

Please refer to page 15-02 for choosing proper model of lock.



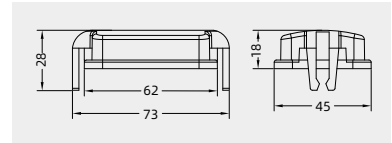
6B Metal hoods/housings

Degree of protection: IP65

Protection covers



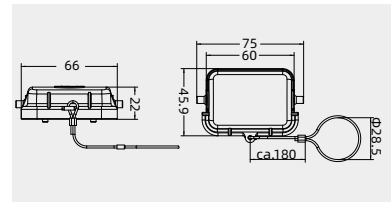
Connect way	Applications	Designation	Order No.
---	for hoods	H6B-CV-2C	111 006 000 8009



Protection covers, metal



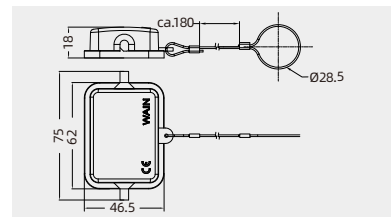
Connect way	Applications	Designation	Order No.
	for hoods	H6B-MCV-2B/1	111 006 010 8101
	for housings	H6B-MCV-2B/2	111 006 010 8102



Protection covers, plastics



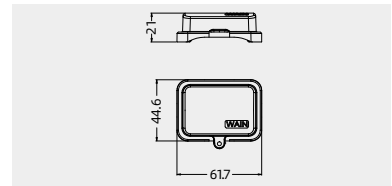
Connect way	Applications	Designation	Order No.
	for hoods	H6B-CV-2B/1	111 006 010 8503
	for housings	H6B-CV-2B/2	111 006 010 8504



Protection covers(IP5X)



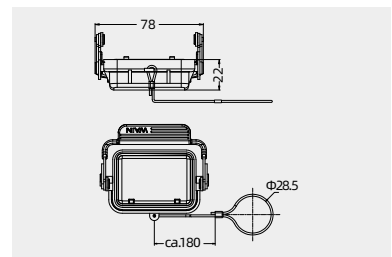
Connect way	Applications	Designation	Order No.
---	for housings	6B-CV/C	111 006 000 8002



Protection covers



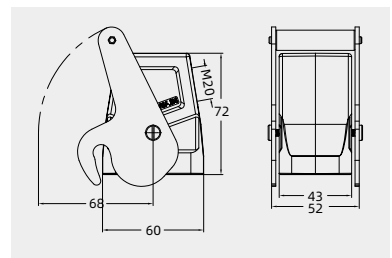
Connect way	Applications	Designation	Order No.
	for hoods	H6B-MCV-1L/SC.1S	111 006 021 8101



Hoods, side entry ,high construction



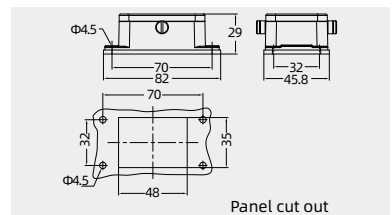
Thread	Designation	Order No.
M25	W6B-SEH-1L/C-M25	111 106 550 5001
M32	W6B-SEH-1L/C-M32	111 106 550 5003
PG21	W6B-SEH-1L/C-PG21	111 106 550 5004
PG29	W6B-SEH-1L/C-PG29	111 106 550 5005



Bulkhead mounted housings



Thread	Designation	Order No.
---	H6B-BK-2B/C	111 006 350 1003



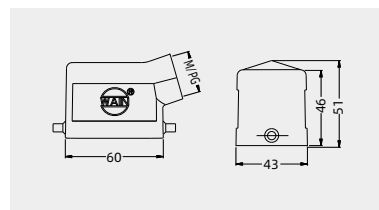
6B Metal hoods/housings -Suitable for harsh environment(anti-corrosion)

Degree of protection: IP65

Hoods, side entry



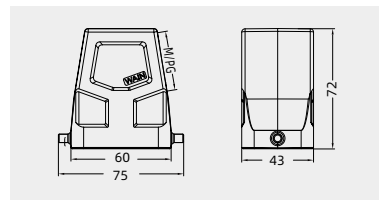
Thread	Designation	Order No.
M20	H6B-MSE-2B-M20	112 006 510 1002
M25	H6B-MSE-2B-M25	112 006 510 1003
PG13.5	H6B-MSE-2B-PG13.5	112 006 510 1009
PG16	H6B-MSE-2B-PG16	112 006 510 1010



Hoods, side entry, high construction



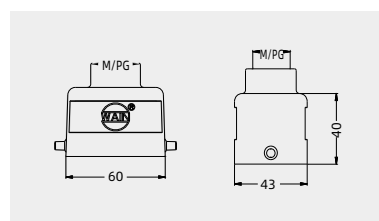
Thread	Designation	Order No.
M25	W6B-MSEH-2B-M25	112 106 510 5006
M32	W6B-MSEH-2B-M32	112 106 510 5004
PG21	W6B-MSEH-2B-PG21	112 106 510 5007
PG29	W6B-MSEH-2B-PG29	112 106 510 5008



Hoods, top entry



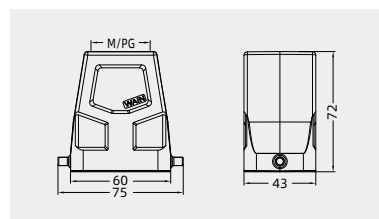
Thread	Designation	Order No.
M20	H6B-MTE-2B-M20	112 006 410 1002
M25	H6B-MTE-2B-M25	112 006 410 1504
PG13.5	H6B-MTE-2B-PG13.5	112 006 410 1009
PG16	H6B-MTE-2B-PG16	112 006 410 1010



Hoods, top entry, high construction



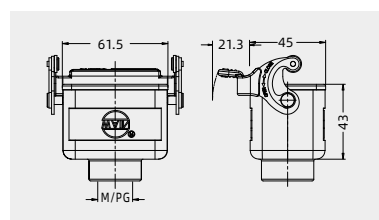
Thread	Designation	Order No.
M25	W6B-MTEH-2B-M25	112 106 410 5006
M32	W6B-MTEH-2B-M32	112 106 410 5008
PG21	W6B-MTEH-2B-PG21	112 106 410 5011
PG29	W6B-MTEH-2B-PG29	112 106 410 5005



Housings, cable to cable



Thread	Designation	Order No.
M20	H6B-MCCT-1L/SC-M20	112 006 721 1011
PG13.5	H6B-MCCT-1L/SC-PG13.5	112 006 721 1009
PG16	H6B-MCCT-1L/SC-PG16	112 006 721 1008



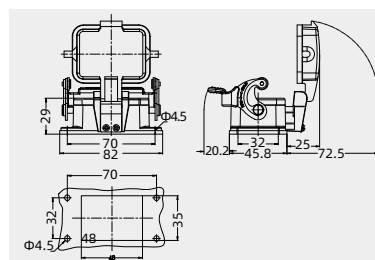
6B Metal hoods/housings -Suitable for harsh environment(anti-corrosion)

Degree of protection: IP65

Bulkhead mounted housings



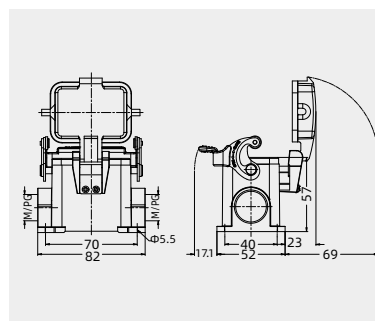
Thread	Designation	Order No.
---	H6B-MBK-1L/SC with metal cover	112 006 321 1001
---	H6B-MBK-1L/SC-MMCV	112 006 361 1101



Surface mounted housings



Thread	Designation	Order No.
M20	H6B-MSF-1L/SC-M20	112 006 221 1002
2M20	H6B-MSF-1L/SC-2M20	112 006 221 1022
PG16	H6B-MSF-1L/SC-PG16	112 006 221 1004
2PG16	H6B-MSF-1L/SC-2PG16	112 006 221 1005
with metal cover		
M20	H6B-MSF-1L/SC-MMCV-M20	112 006 221 8001
2M20	H6B-MSF-1L/SC-MMCV-2M20	112 006 221 8002
PG16	H6B-MSF-1L/SC-MMCV-PG16	112 006 221 8009
2PG16	H6B-MSF-1L/SC-MMCV-2PG16	112 006 221 8010

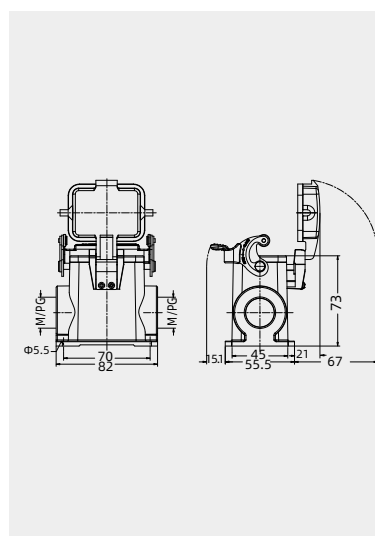


Please refer to page 15-02 for choosing proper model of lock.

Surface mounted housings, high construction



Thread	Designation	Order No.
M25	H6B-MSFH-1L/SC-M25	112 006 221 5001
2M25	H6B-MSFH-1L/SC-2M25	112 006 221 5002
M32	H6B-MSFH-1L/SC-M32	112 006 221 5003
2M32	H6B-MSFH-1L/SC-2M32	112 006 221 5004
PG21	H6B-MSFH-1L/SC-PG21	112 006 221 1006
2PG21	H6B-MSFH-1L/SC-2PG21	112 006 221 1007
PG29	H6B-MSFH-1L/SC-PG29	112 006 221 1008
2PG29	H6B-MSFH-1L/SC-2PG29	112 006 221 1009
with metal cover		
M25	H6B-MSFH-1L/SC-MMCV-M25	112 006 221 8005
2M25	H6B-MSFH-1L/SC-MMCV-2M25	112 006 221 8006
M32	H6B-MSFH-1L/SC-MMCV-M32	112 006 221 8007
2M32	H6B-MSFH-1L/SC-MMCV-2M32	112 006 221 8008
PG21	H6B-MSFH-1L/SC-MMCV-PG21	112 006 221 8011
2PG21	H6B-MSFH-1L/SC-MMCV-2PG21	112 006 221 8012
PG29	H6B-MSFH-1L/SC-MMCV-PG29	112 006 221 8013
2PG29	H6B-MSFH-1L/SC-MMCV-2PG29	112 006 221 8014

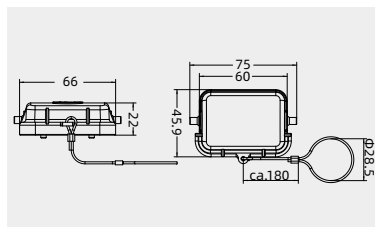


Please refer to page 15-02 for choosing proper model of lock.

Protection covers



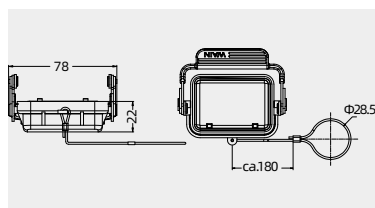
Connect way	Designation	Order No.
	H6B-MMCV-2B/1	112 006 010 8001
	H6B-MMCV-2B/2	112 006 010 8002



Protection covers



Connect way	Applications	Designation	Order No.
	for hoods	H6B-MMCV-1L/SC.1S	112 006 021 8001



Please refer to page 15-02 for choosing proper model of lock.

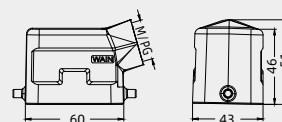
6B Metal hoods/housings

Degree of protection: IP67

Hoods, side entry



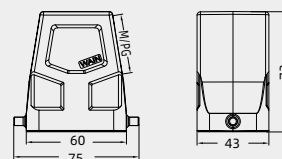
Thread	Designation	Order No.
M20	W6B-SE-2B-M20	111 106 510 1001
M25	W6B-SE-2B-M25	111 106 510 1002
PG13.5	W6B-SE-2B-PG13.5	111 106 510 1003
PG16	W6B-SE-2B-PG16	111 106 510 1004



Hoods, side entry, high construction



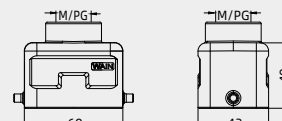
Thread	Designation	Order No.
---	W6B-BEH-2B	111 106 910 5001
M25	W6B-SEH-2B-M25	111 106 510 5001
M32	W6B-SEH-2B-M32	111 106 510 5002
PG21	W6B-SEH-2B-PG21	111 106 510 5003
PG29	W6B-SEH-2B-PG29	111 106 510 5004



Hoods, top entry



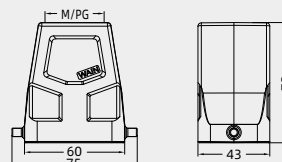
Thread	Designation	Order No.
M20	W6B-TE-2B-M20	111 106 410 1001
M25	W6B-TE-2B-M25	111 106 410 1002
PG13.5	W6B-TE-2B-PG13.5	111 106 410 1003
PG16	W6B-TE-2B-PG16	111 106 410 1004



Hoods, top entry, high construction



Thread	Designation	Order No.
---	W6B-BEH-2B	111 106 910 5001
M25	W6B-TEH-2B-M25	111 106 410 5001
M32	W6B-TEH-2B-M32	111 106 410 5002
PG21	W6B-TEH-2B-PG21	111 106 410 5003
PG29	W6B-TEH-2B-PG29	111 106 410 5004

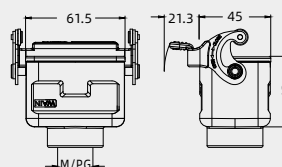


Housings, cable to cable



Thread	Designation	Order No.
M20	W6B-CCT-1L/SC-M20	111 106 721 1005
M25	W6B-CCT-1L/SC-M25	111 106 721 1008
PG13.5	W6B-CCT-1L/SC-PG13.5	111 106 721 1006
PG16	W6B-CCT-1L/SC-PG16	111 106 721 1007

Please refer to page 15-02 for choosing proper model of lock.

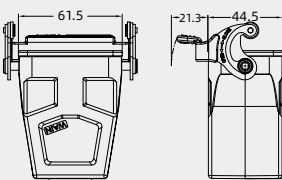


Housings, cable to cable, high construction



Thread	Designation	Order No.
M25	W6B-CCTH-1L/SC-M25	111 106 721 5001
M32	W6B-CCTH-1L/SC-M32	111 106 721 5002
PG21	W6B-CCTH-1L/SC-PG21	111 106 721 5003
PG29	W6B-CCTH-1L/SC-PG29	111 106 721 5004

Please refer to page 15-02 for choosing proper model of lock.



6B Metal hoods/housings

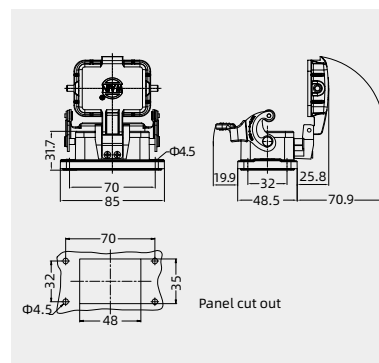
Degree of protection: IP67

Bulkhead mounted housings



Thread	Designation	Order No.
---	W6B-BK-1L/SC with plastic cover	111 106 321 1002
---	W6B-BK-1L/SC-CV with metal cover	111 106 321 8001
---	W6B-BK-1L/SC-MCV	111 106 321 8002

Please refer to page 15-02 for choosing proper model of lock.

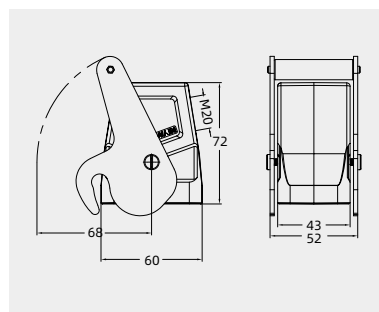


Hoods, side entry, high construction

H



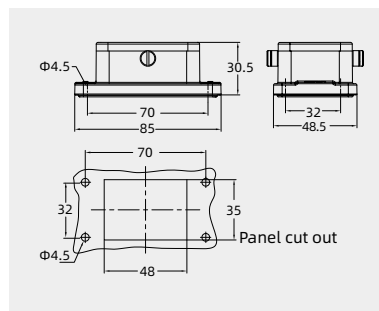
Thread	Designation	Order No.
M25	W6B-SEH-1L/C-M25	111 106 550 5001
M32	W6B-SEH-1L/C-M32	111 106 550 5003
PG21	W6B-SEH-1L/C-PG21	111 106 550 5004
PG29	W6B-SEH-1L/C-PG29	111 106 550 5005



Bulkhead mounted housings



Thread	Designation	Order No.
---	W6B-BK-2B/C	111 106 350 1001



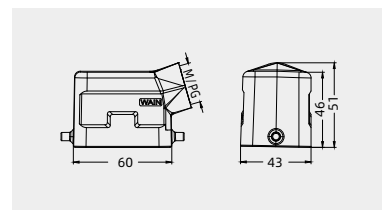
6B Metal hoods/housings -Suitable for harsh environment(anti-corrosion)

Degree of protection: IP67

Hoods, side entry



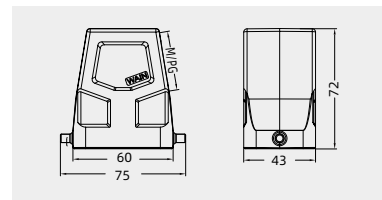
Thread	Designation	Order No.
M20	W6B-MSE-2B-M20	112 106 510 1001
M25	W6B-MSE-2B-M25	112 106 510 1004
PG13.5	W6B-MSE-2B-PG13.5	112 106 510 1002
PG16	W6B-MSE-2B-PG16	112 106 510 1003



Hoods, side entry, high construction



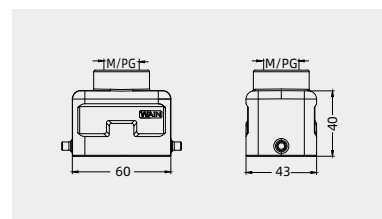
Thread	Designation	Order No.
M25	W6B-MSEH-2B-M25	112 106 510 5006
M32	W6B-MSEH-2B-M32	112 106 510 5004
PG21	W6B-MSEH-2B-PG21	112 106 510 5007
PG29	W6B-MSEH-2B-PG29	112 106 510 5008



Hoods, top entry



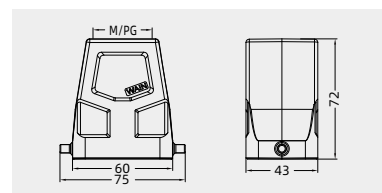
Thread	Designation	Order No.
M20	W6B-MTE-2B-M20	112 106 410 1001
M25	W6B-MTE-2B-M25	112 106 410 1004
PG13.5	W6B-MTE-2B-PG13.5	112 106 410 1002
PG16	W6B-MTE-2B-PG16	112 106 410 1003



Hoods, top entry, high construction



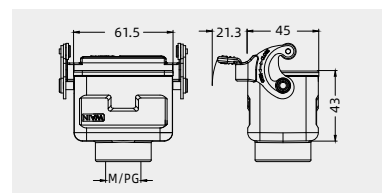
Thread	Designation	Order No.
M25	W6B-MTEH-2B-M25	112 106 410 5006
M32	W6B-MTEH-2B-M32	112 106 410 5008
PG21	W6B-MTEH-2B-PG21	112 106 410 5011
PG29	W6B-MTEH-2B-PG29	112 106 410 5005



Housings, cable to cable



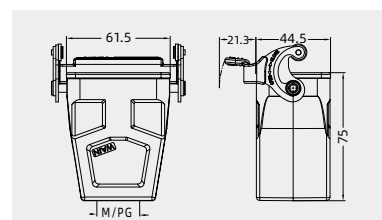
Thread	Designation	Order No.
M20	W6B-MCCT-1L/SC-M20	112 106 721 1001
M25	W6B-MCCT-1L/SC-M25	112 106 721 1004
PG13.5	W6B-MCCT-1L/SC-PG13.5	112 106 721 1002
PG16	W6B-MCCT-1L/SC-PG16	112 106 721 1003



Housings, cable to cable, high construction



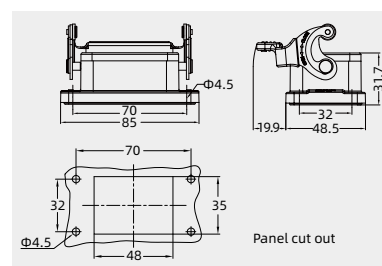
Thread	Designation	Order No.
M25	W6B-MCCTH-1L/SC-M25	112 106 721 5001
M32	W6B-MCCTH-1L/SC-M32	112 106 721 5002
PG21	W6B-MCCTH-1L/SC-PG21	112 106 721 5003
PG29	W6B-MCCTH-1L/SC-PG29	112 106 721 5004



Bulkhead mounted housings



Thread	Designation	Order No.
---	W6B-MBK-1L/SC	112 106 321 1001
---	W6B-MBK-1L/SC-MMCV	112 106 321 8001



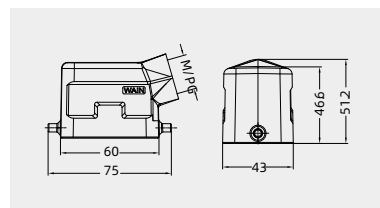
6B EMC Metal hoods/housings

Degree of protection: IP67

Hoods, side entry



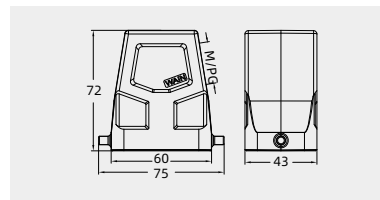
Thread	Designation	Order No.
M20	EMC.W6B-SE-2B-M20	111 206 510 1004
M25	EMC.W6B-SE-2B-M25	111 206 510 1001
PG13.5	EMC.W6B-SE-2B-PG13.5	111 206 510 1002
PG16	EMC.W6B-SE-2B-PG16	111 206 510 1003



Hoods, side entry, high construction



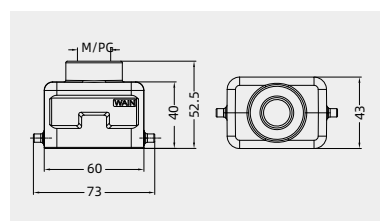
Thread	Designation	Order No.
M25	EMC.W6B-SEH-2B-M25	111 206 510 5001
M32	EMC.W6B-SEH-2B-M32	111 206 510 5002
PG21	EMC.W6B-SEH-2B-PG21	111 206 510 5003
PG29	EMC.W6B-SEH-2B-PG29	111 206 510 5004



Hoods, top entry



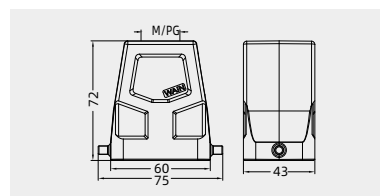
Thread	Designation	Order No.
M20	EMC.W6B-TE-2B-M20	111 206 410 1001
M25	EMC.W6B-TE-2B-M25	111 206 410 1002
PG13.5	EMC.W6B-TE-2B-PG13.5	111 206 410 1003
PG16	EMC.W6B-TE-2B-PG16	111 206 410 1004



Hoods, top entry, high construction



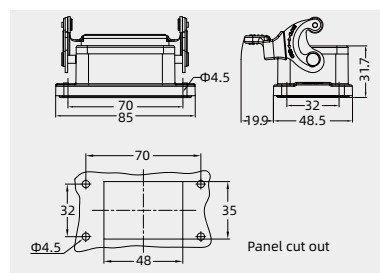
Thread	Designation	Order No.
M25	EMC.W6B-TEH-2B-M25	111 206 410 5001
M32	EMC.W6B-TEH-2B-M32	111 206 410 5002
PG21	EMC.W6B-TEH-2B-PG21	111 206 410 5003
PG29	EMC.W6B-TEH-2B-PG29	111 206 410 5004



Bulkhead mounted housings



Thread	Designation	Order No.
---	EMC1.W6B-BK-1L/SC	111 106 321 1001



6B Pressure tight hoods/housings

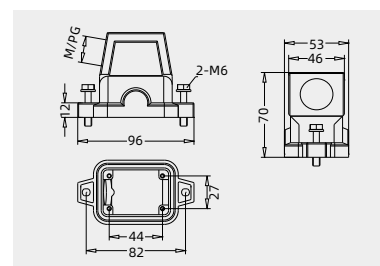
Degree of protection: IP68/IP69K

W version

Hoods, side entry, high construction



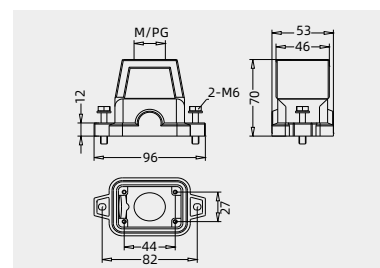
Thread	Designation	Order No.
M20	HP6B-SEH-2S-M20	115 006 520 5102
M25	HP6B-SEH-2S-M25	115 006 520 5103
M32	HP6B-SEH-2S-M32	115 006 520 5104
PG16	HP6B-SEH-2S-PG16	115 006 520 5110
PG21	HP6B-SEH-2S-PG21	115 006 520 5111



Hoods, side entry, high construction



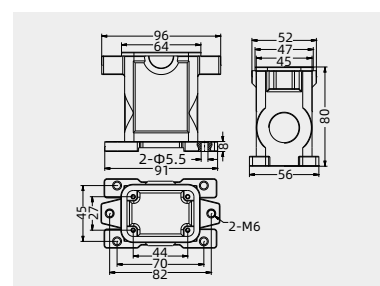
Thread	Designation	Order No.
M20	HP6B-TEH-2S-M20	115 006 420 5102
M25	HP6B-TEH-2S-M25	115 006 420 5103
M32	HP6B-TEH-2S-M32	115 006 420 5104
PG16	HP6B-TEH-2S-PG16	115 006 420 5110
PG21	HP6B-TEH-2S-PG21	115 006 420 5111
PG29	HP6B-TEH-2S-PG29	115 006 420 5112



Surface mounted housings, high construction



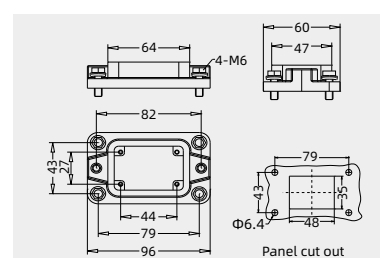
Thread	Designation	Order No.
M20	HP6B-SFH-2H-M20	115 006 220 5002
M25	HP6B-SFH-2H-M25	115 006 220 5003
M32	HP6B-SFH-2H-M32	115 006 220 5004
PG16	HP6B-SFH-2H-PG16	115 006 220 5010
PG21	HP6B-SFH-2H-PG21	115 006 220 5011



Bulkhead mounted housings



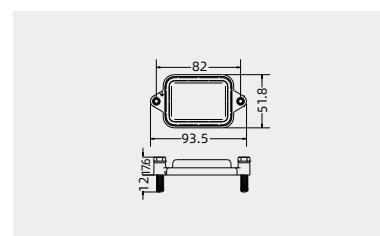
Thread	Designation	Order No.
---	HP6B-BK-2H	115 006 320 1001



Protection covers, plastic



Connect way	Designation	Order No.
---	HP6B-CV-2S/2	115 006 020 8002



WP6B/R Pressure tight hoods/housings

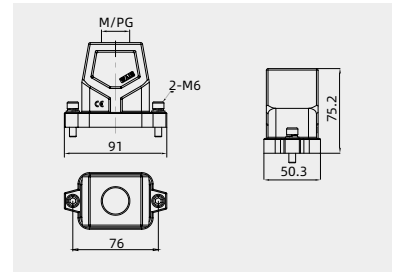
Degree of protection: IP68/IP69K

W version

Hoods, top entry, high construction



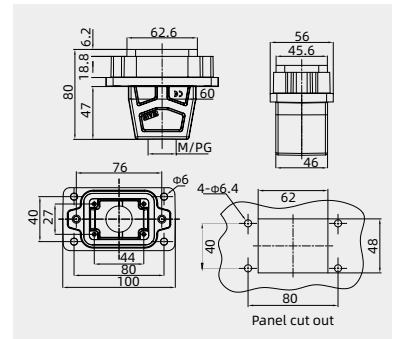
Thread	Designation	Order No.
M20	WP6B/R-TEH-2S-M20	111 106 420 1002
M25	WP6B/R-TEH-2S-M25	111 106 420 1001



Through-wall housing, high construction



Thread	Designation	Order No.
M20	WP6B/R-CCT/BK-2H-M20	111 106 720 1001
M25	WP6B/R-CCT/BK-2H-M25	111 106 720 1002



6B Pressure tight hoods/housings

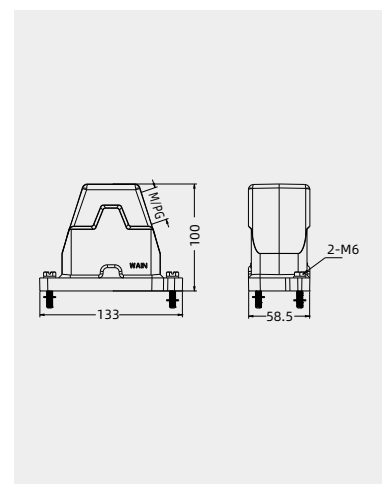
Degree of protection: IP68/IP69K

H version

Hoods, side entry, high construction



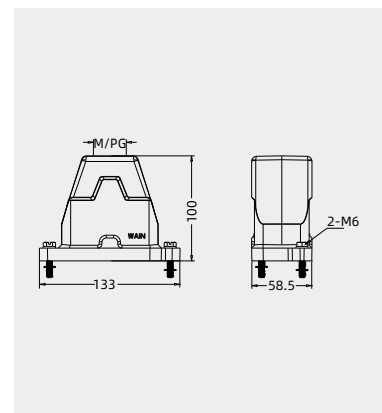
Thread	Designation	Order No.
	Screw locking	
M20	HP6B/H-SEH-2S-M20	113 606 520 5002
M25	HP6B/H-SEH-2S-M25	113 606 520 5003
M32	HP6B/H-SEH-2S-M32	113 606 520 5004
M40	HP6B/H-SEH-2S-M40	113 606 520 5005
PG16	HP6B/H-SEH-2S-PG16	113 606 520 5010
PG21	HP6B/H-SEH-2S-PG21	113 606 520 5011
PG29	HP6B/H-SEH-2S-PG29	113 606 520 5012
	Toggle locking	
M20	HP6B/H-SEH-2T-M20	113 606 540 5002
M25	HP6B/H-SEH-2T-M25	113 606 540 5003
M32	HP6B/H-SEH-2T-M32	113 606 540 5004
M40	HP6B/H-SEH-2T-M40	113 606 540 5005
PG16	HP6B/H-SEH-2T-PG16	113 606 540 5010
PG21	HP6B/H-SEH-2T-PG21	113 606 540 5011
PG29	HP6B/H-SEH-2T-PG29	113 606 540 5012



Hoods, top entry, high construction



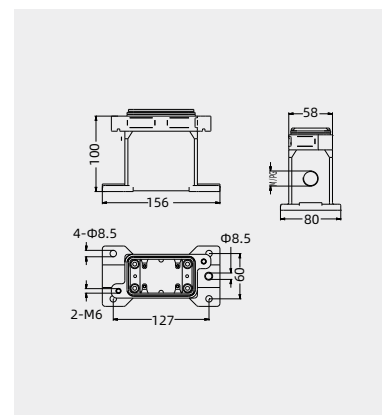
Thread	Designation	Order No.
	Screw locking	
M20	HP6B/H-TEH-2S-M20	113 606 420 5002
M25	HP6B/H-TEH-2S-M25	113 606 420 5003
M32	HP6B/H-TEH-2S-M32	113 606 420 5004
PG16	HP6B/H-TEH-2S-PG16	113 606 420 5010
PG21	HP6B/H-TEH-2S-PG21	113 606 420 5011
PG29	HP6B/H-TEH-2S-PG29	113 606 420 5012
	Toggle locking	
M20	HP6B/H-TEH-2T-M20	113 606 440 5002
M25	HP6B/H-TEH-2T-M25	113 606 440 5003
M32	HP6B/H-TEH-2T-M32	113 606 440 5004
PG16	HP6B/H-TEH-2T-PG16	113 606 440 5010
PG21	HP6B/H-TEH-2T-PG21	113 606 440 5011
PG29	HP6B/H-TEH-2T-PG29	113 606 440 5012



Hoods, side entry, high construction



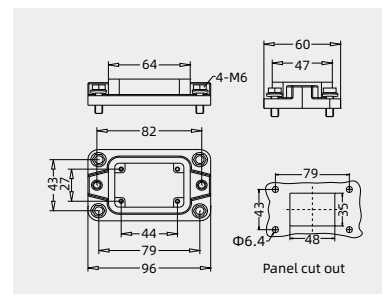
Thread	Designation	Order No.
	Screw locking	
M20	HP6B/H-SFH-2H-M20	113 606 220 5002
M25	HP6B/H-SFH-2H-M25	113 606 220 5003
M32	HP6B/H-SFH-2H-M32	113 606 220 5004
PG16	HP6B/H-SFH-2H-PG16	113 606 220 5010
PG21	HP6B/H-SFH-2H-PG21	113 606 220 5011
PG29	HP6B/H-SFH-2H-PG29	113 606 220 5012
	Toggle locking	
M20	HP6B/H-SFH-2T-M20	113 606 240 5002
M25	HP6B/H-SFH-2T-M25	113 606 240 5003
M32	HP6B/H-SFH-2T-M32	113 606 240 5004
PG16	HP6B/H-SFH-2T-PG16	113 606 240 5010
PG21	HP6B/H-SFH-2T-PG21	113 606 240 5011
PG29	HP6B/H-SFH-2T-PG29	113 606 240 5012



Bulkhead mounted housings



Thread	Designation	Order No.
---	Screw locking	
---	HP6B/H-BK-2H	113 606 320 1001
---	Toggle locking	
---	HP6B/H-BK-2T	113 606 340 1001
---	with metal cover	
---	Screw locking	
---	HP6B/H-BK-2H-MCV	113 606 360 1001
---	Toggle locking	
---	HP6B/H-BK-2T-MCV	113 606 370 1001



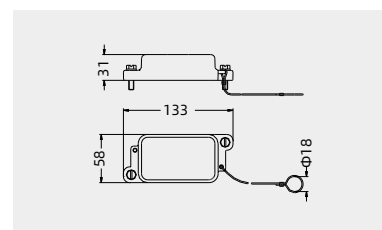
6B Pressure tight hoods/housings

Degree of protection: IP68/IP69K

Protection covers,for housings



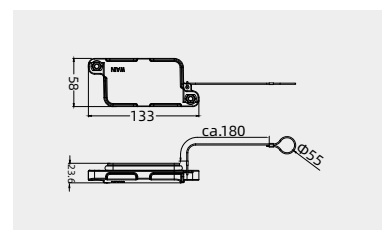
Connect way	Designation	Order No.
	Screw locking	113 606 020 8101
	HP6B/H-MCV-2S	
	Toggle locking	113 606 040 8103
	HP6B/H-MCV-2T	



Protection covers,for hoods



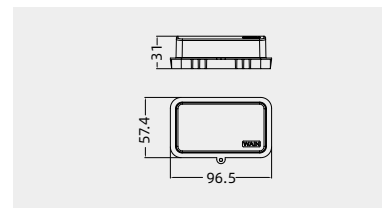
Connect way	Designation	Order No.
	Screw locking	113 606 020 8111
	HP6B/H-MCV-2H/1	
	Toggle locking	113 606 040 8101
	HP6B/H-MCV-2T/1	



Protection covers, for housings(IP5X)



Connect way	Designation	Order No.
---	HP6B/H-CV/C	113 606 900 8002



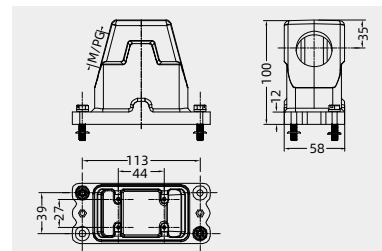
Degree of protection: IP68/IP69K

The following hoods/housings comply with the standards for rail transport industry in China.

Hoods, top entry, high construction



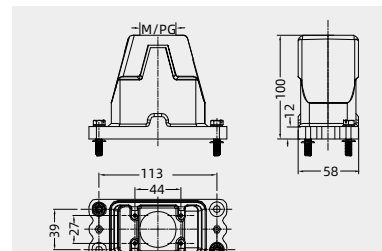
Thread	Designation	Order No.
M20	HP6B/H-SEH-4S-M20	113 606 530 5002
M25	HP6B/H-SEH-4S-M25	113 606 530 5003
M32	HP6B/H-SEH-4S-M32	113 606 530 5004
M40	HP6B/H-SEH-4S-M40	113 606 530 5005
PG16	HP6B/H-SEH-4S-PG16	113 606 530 5010
PG21	HP6B/H-SEH-4S-PG21	113 606 530 5011



Hoods, top entry, high construction



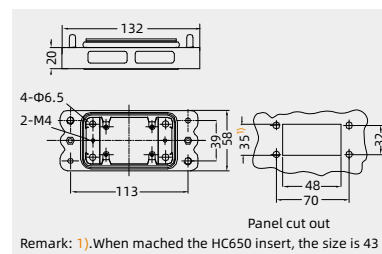
Thread	Designation	Order No.
M20	HP6B/H-TEH-4S-M20	113 606 430 5002
M25	HP6B/H-TEH-4S-M25	113 606 430 5003
M32	HP6B/H-TEH-4S-M32	113 606 430 5004
M40	HP6B/H-TEH-4S-M40	113 606 430 5005
PG16	HP6B/H-TEH-4S-PG16	113 606 430 5010
PG21	HP6B/H-TEH-4S-PG21	113 606 430 5011
PG29	HP6B/H-TEH-4S-PG29	113 606 430 5012



Bulkhead mounted housings



Thread	Designation	Order No.
---	HP6B/H-BK-4H	113 606 330 1001



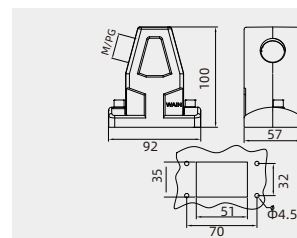
6B Pressure tight hoods/housings/EMCPressure tight hoods/housings

Degree of protection: IP68/IP69K

Hoods, side entry, high construction



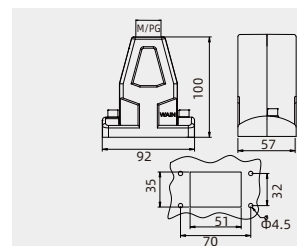
Thread	Designation	Order No.
M20	HC6B-SEH-2S-M20	114 006 520 5002
M25	HC6B-SEH-2S-M25	114 006 520 5003
PG16	HC6B-SEH-2S-PG16	114 006 520 5010
PG21	HC6B-SEH-2S-PG21	114 006 520 5011



Hoods, top entry, high construction



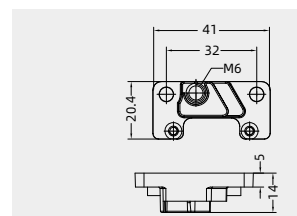
Thread	Designation	Order No.
M20	HC6B-TEH-2S-M20	114 006 420 5002
M25	HC6B-TEH-2S-M25	114 006 420 5003
PG16	HC6B-TEH-2S-PG16	114 006 420 5010
PG21	HC6B-TEH-2S-PG21	114 006 420 5011



Mounting flange



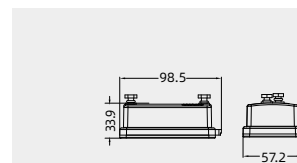
Applications	Designation	Order No.
for integral type hoods	APT-C	114 000 000 1001



Protection covers, plastic



Thread	Designation	Order No.
---	HC6B-CV-2S/2	111 006 020 8001



6B Pressure tight hoods/housings/EMC Pressure tight hoods/housings

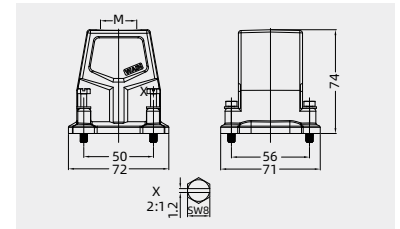
Degree of protection: IP68/IP69K

EMC Pressure tight hoods/housings

Hoods, top entry, high construction



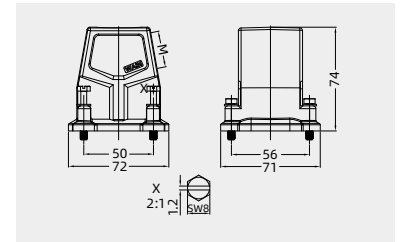
Thread	Designation	Order No.
M20	EMC.W6B-TEH-4S-M20	111 106 430 5003
M25	EMC.W6B-TEH-4S-M25	111 106 430 5001
M32	EMC.W6B-TEH-4S-M32	111 106 430 5002
PG21	EMC.W6B-TEH-4S-PG21	111 106 430 5004
PG29	EMC.W6B-TEH-4S-PG29	111 106 430 5005



Hoods, side entry, high construction



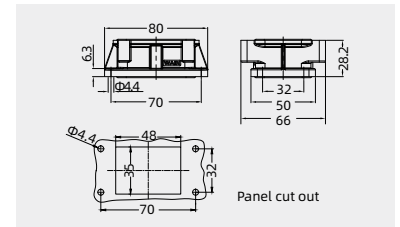
Thread	Designation	Order No.
M20	EMC.W6B-SEH-4S-M20	111 206 530 5001
M25	EMC.W6B-SEH-4S-M25	111 206 530 5002
M32	EMC.W6B-SEH-4S-M32	111 206 530 5003
PG21	EMC.W6B-SEH-4S-PG21	111 206 530 5004
PG29	EMC.W6B-SEH-4S-PG29	111 206 530 5005



Bulkhead mounted housings



Thread	Designation	Order No.
---	EMC.W6B-BK-4H	111 206 330 1001





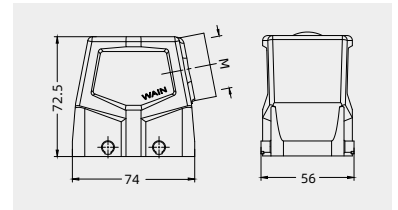
10B Plastic hoods/housings

Degree of protection: IP65

Hoods, side entry, high construction



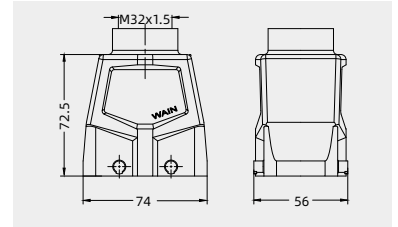
Thread	Designation	Order No.
M25	H10B.P-SEH-4B-M25	117 010 530 5003
M32	H10B.P-SEH-4B-M32	117 010 530 5004



Hoods, top entry, high construction



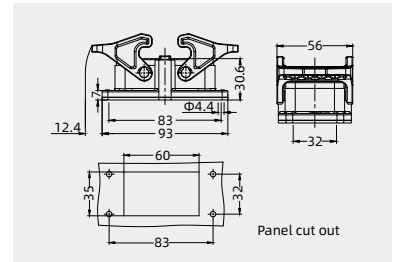
Thread	Designation	Order No.
M25	H10B.P-TEH-4B-M25	117 010 430 5003
M32	H10B.P-TEH-4B-M32	117 010 430 5004



Bulkhead mounted housings



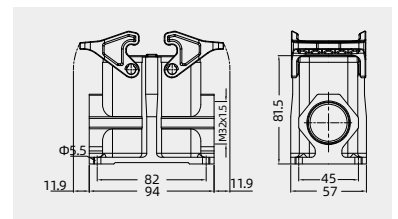
Thread	Designation	Order No.
---	H10B.P-BK-2L	117 010 340 1001



Surface mounted housings, high construction



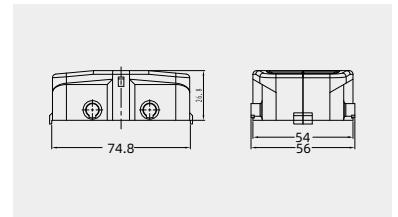
Thread	Designation	Order No.
M25	H10B.P-SFH-2L-M25	117 010 247 5003
2M25	H10B.P-SFH-2L-2M25	117 010 247 5023
M32	H10B.P-SFH-2L-M32	117 010 247 5004
2M32	H10B.P-SFH-2L-2M32	117 010 247 5024



Protection covers, for housings



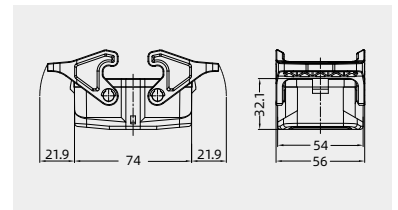
Connect way	Designation	Order No.
---	H10B.P-CV-4B/2	117 010 030 8002



Protection covers, for hoods



Connect way	Designation	Order No.
---	H10B.P-CV-2L/1	117 010 040 8001



10B Modular type plastic hoods/housings

Degree of protection: IP65

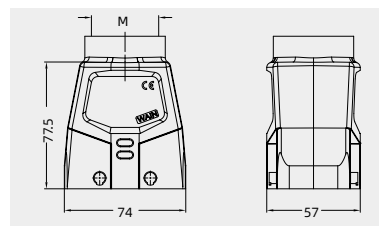
Only suitable for HM series.

Number of modules: 4

Hoods, top entry, high construction



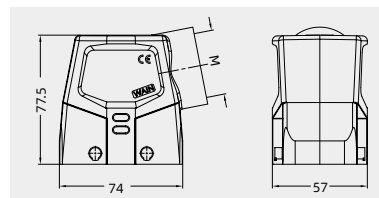
Thread	Designation	Order No.
M32	HM10B.P-TEH-4B-M32	129 010 430 5500
M40	HM10B.P-TEH-4B-M40	129 010 430 5001



Hoods, side entry, high construction



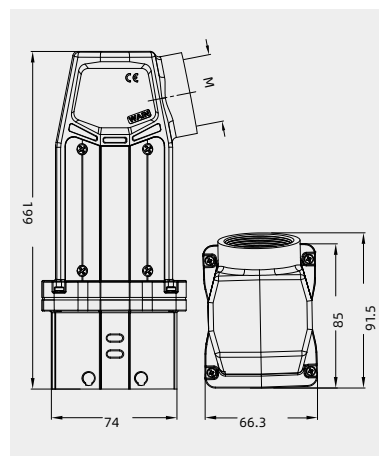
Thread	Designation	Order No.
M32	HM10B.P-SEH-4B-M32	129 010 537 1500
M40	HM10B.P-SEH-4B-M40	129 010 530 5001



Hoods, side entry, high construction



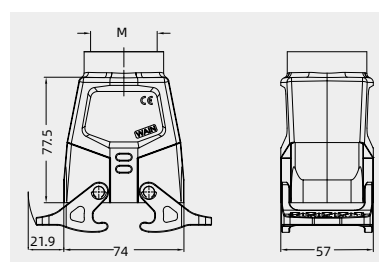
Thread	Designation	Order No.
M40	HM10B.P-SEHH-4B-M40/30A	129 110 530 5500



Hoods, top entry, high construction



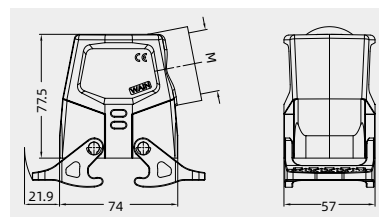
Thread	Designation	Order No.
M32	HM10B.P-TEH-2L-M32	129 010 447 1500
M40	HM10B.P-TEH-2L-M40	129 010 440 5001



Hoods, side entry, high construction



Thread	Designation	Order No.
M32	HM10B.P-SEH-2L-M32	129 010 547 1500
M40	HM10B.P-SEH-2L-M40	129 010 540 5001



10B Modular type plastic hoods/housings

Degree of protection: IP65

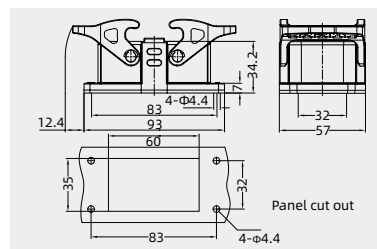
Only suitable for HM series.

Number of modules: 4

Bulkhead mounted housings



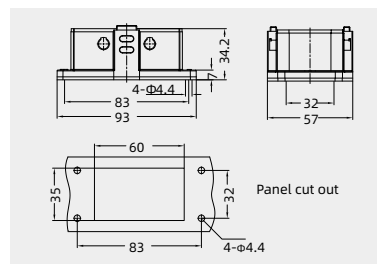
Thread	Designation	Order No.
---	HM10B.P-BK-2L	129 010 340 1001



Bulkhead mounted housings



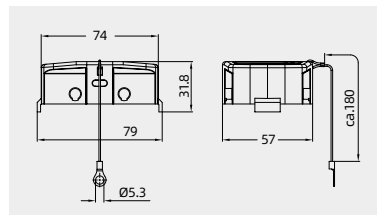
Thread	Designation	Order No.
---	HM10B.P-BK-4B	129 010 330 1001



Protection covers, for housings



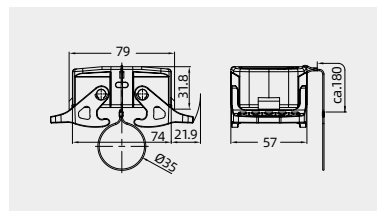
Connect way	Designation	Order No.
	HM10B.P-CV-4B/2	129 110 000 8500



Protection covers, for hoods



Connect way	Designation	Order No.
	HM10B.P-CV-2L/1	129 010 047 8500



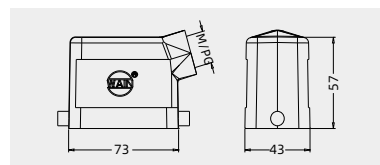
10B Metal hoods/housings

Degree of protection: IP65

Hoods, side entry



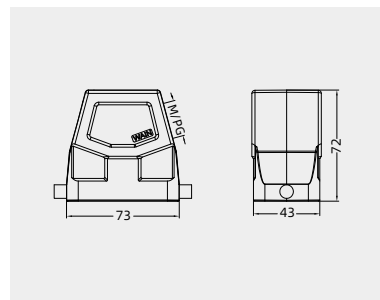
Thread	Designation	Order No.
M20	H10B-SE-2B-M20	111 010 515 1002
M25	H10B-SE-2B-M25	111 010 515 1003
PG16	H10B-SE-2B-PG16	111 010 515 1010



Hoods, side entry, high construction



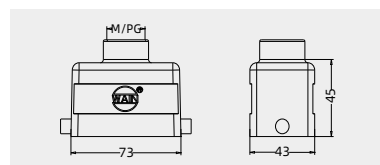
Thread	Designation	Order No.
---	W10B-BEH-2B	111 110 910 5001
M25	W10B-SEH-2B-M25	111 110 510 5001
M32	W10B-SEH-2B-M32	111 110 510 5002
PG21	W10B-SEH-2B-PG21	111 110 510 5003
PG29	W10B-SEH-2B-PG29	111 110 510 5004
M25	W10B-SEH-2B-M25 WS	111 110 515 5103
M32	W10B-SEH-2B-M32 WS	111 110 515 5104
PG21	W10B-SEH-2B-PG21 WS	111 110 515 5111
PG29	W10B-SEH-2B-PG29 WS	111 110 515 5112



Hoods, top entry



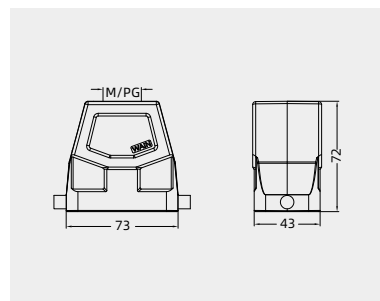
Thread	Designation	Order No.
M20	H10B-TE-2B-M20	111 010 415 1002
M25	H10B-TE-2B-M25	111 010 415 1003
PG16	H10B-TE-2B-PG16	111 010 415 1010



Hoods, top entry, high construction



Thread	Designation	Order No.
---	W10B-BEH-2B	111 110 910 5001
M25	W10B-TEH-2B-M25	111 110 410 5001
M32	W10B-TEH-2B-M32	111 110 410 5002
PG21	W10B-TEH-2B-PG21	111 110 410 5003
PG29	W10B-TEH-2B-PG29	111 110 410 5004
M25	W10B-TEH-2B-M25 WS	111 110 415 5103
M32	W10B-TEH-2B-M32 WS	111 110 415 5104
PG21	W10B-TEH-2B-PG21 WS	111 110 415 5111
PG29	W10B-TEH-2B-PG29 WS	111 110 415 5112

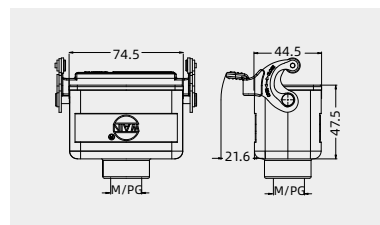


Housings, cable to cable



Thread	Designation	Order No.
M20	H10B-CCT-1L/SC-M20	111 010 721 1002
M25	H10B-CCT-1L/SC-M25	111 010 721 1003
PG16	H10B-CCT-1L/SC-PG16	111 010 721 1010

Please refer to page 15-02 for choosing proper model of lock.

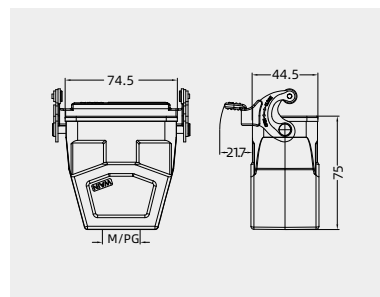


Housings, cable to cable, high construction



Thread	Designation	Order No.
M25	W10B-CCTH-1L/SC-M25	111 110 721 5001
M32	W10B-CCTH-1L/SC-M32	111 110 721 5002
PG21	W10B-CCTH-1L/SC-PG21	111 110 721 5003
PG29	W10B-CCTH-1L/SC-PG29	111 110 721 5004
M25	W10B-CCTH-1L/SC-M25 WS	111 110 721 5103
M32	W10B-CCTH-1L/SC-M32 WS	111 110 721 5104
PG21	W10B-CCTH-1L/SC-PG21 WS	111 110 721 5111
PG29	W10B-CCTH-1L/SC-PG29 WS	111 110 721 5112

Please refer to page 15-02 for choosing proper model of lock.



10B Metal hoods/housings

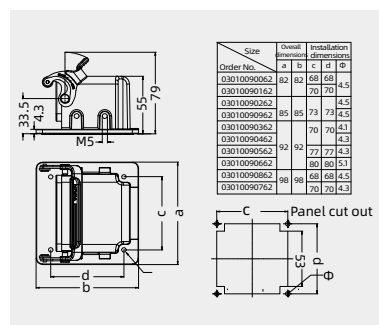
Degree of protection: IP65

Bulkhead mounted housings



Thread	Designation	Order No.
---	H10B-BK-SE-1L/SC(82-68-4.5)	111 010 921 1001
---	H10B-BK-SE-1L/SC(82-70-4.5)	111 010 921 1002
---	H10B-BK-SE-1L/SC(85-73-4.5)	111 010 921 1003
---	H10B-BK-SE-1L/SC(85-73-5.5)	111 010 921 1004
---	H10B-BK-SE-1L/SC(92-70-4.1)	111 010 921 1005
---	H10B-BK-SE-1L/SC(92-70-4.3)	111 010 921 1006
---	H10B-BK-SE-1L/SC(92-77-4.3)	111 010 921 1007
---	H10B-BK-SE-1L/SC(92-80-5.1)	111 010 921 1008
---	H10B-BK-SE-1L/SC(98-68-4.5)	111 010 921 1009
---	H10B-BK-SE-1L/SC(98-70-4.3)	111 010 921 1010

Please refer to page 15-02 for choosing proper model of lock.

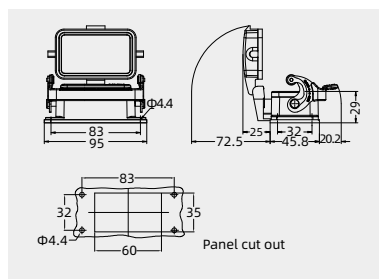


Bulkhead mounted housings



Thread	Designation	Order No.
---	H10B-BK-1L/SC with plastic cover	111 010 321 1001
---	H10B-BK-1L/SC-CV with metal cover	111 010 361 1001
---	H10B-BK-1L/SC-MCV	111 010 361 1101

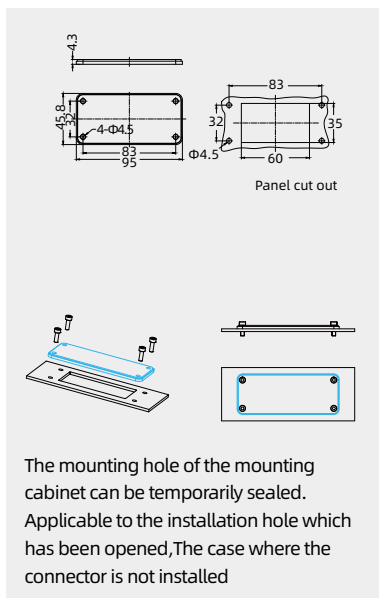
Please refer to page 15-02 for choosing proper model of lock.



BK hole cover plate



Applications	Designation	Order No.
---	10B-BK/MCV	111 010 390 8001



10B Metal hoods/housings

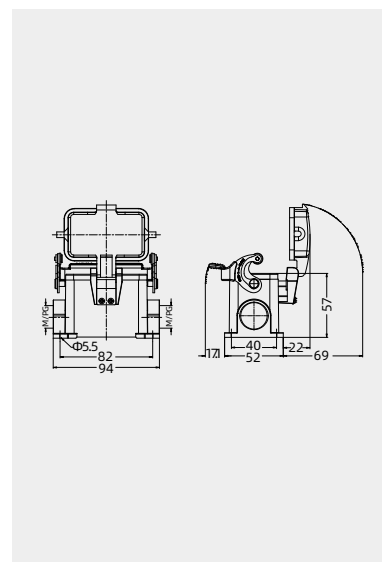
Degree of protection: IP65

Surface mounted housings



Thread	Designation	Order No.
M20	H10B-SF-1L/SC-M20	111 010 221 1002
2M20	H10B-SF-1L/SC-2M20	111 010 221 1022
PG16	H10B-SF-1L/SC-PG16	111 010 221 1010
2PG16	H10B-SF-1L/SC-2PG16	111 010 221 1030
with plastic cover		
M20	H10B-SF-1L/SC-CV-M20	111 010 261 1002
2M20	H10B-SF-1L/SC-CV-2M20	111 010 261 1022
PG16	H10B-SF-1L/SC-CV-PG16	111 010 261 1010
2PG16	H10B-SF-1L/SC-CV-2PG16	111 010 261 1030
with metal cover		
M20	H10B-SF-1L/SC-MCV-M20	111 010 261 1102
2M20	H10B-SF-1L/SC-MCV-2M20	111 010 261 1122
PG16	H10B-SF-1L/SC-MCV-PG16	111 010 261 1110
2PG16	H10B-SF-1L/SC-MCV-2PG16	111 010 261 1130

Please refer to page 15-02 for choosing proper model of lock.

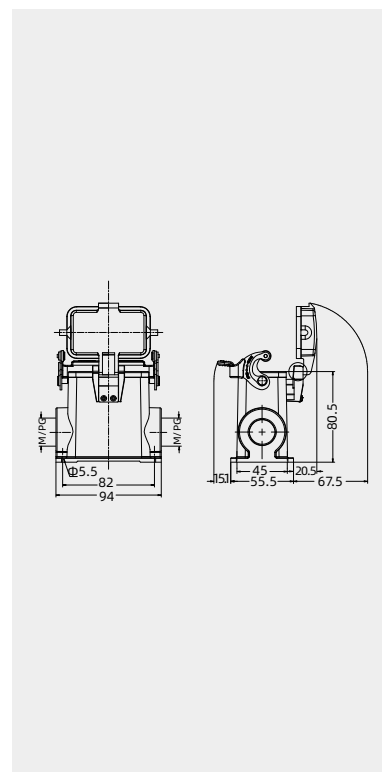


Surface mounted housings, high construction



Thread	Designation	Order No.
M25	H10B-SFH-1L/SC-M25	111 010 221 5003
2M25	H10B-SFH-1L/SC-2M25	111 010 221 5023
M32	H10B-SFH-1L/SC-M32	111 010 221 5004
2M32	H10B-SFH-1L/SC-2M32	111 010 221 5024
PG21	H10B-SFH-1L/SC-PG21	111 010 221 5011
2PG21	H10B-SFH-1L/SC-2PG21	111 010 221 5031
PG29	H10B-SFH-1L/SC-PG29	111 010 221 5012
2PG29	H10B-SFH-1L/SC-2PG29	111 010 221 5032
with plastic cover		
M25	H10B-SFH-1L/SC-CV-M25	111 010 261 5003
2M25	H10B-SFH-1L/SC-CV-2M25	111 010 261 5023
M32	H10B-SFH-1L/SC-CV-M32	111 010 261 5004
2M32	H10B-SFH-1L/SC-CV-2M32	111 010 261 5024
PG21	H10B-SFH-1L/SC-CV-PG21	111 010 261 5011
2PG21	H10B-SFH-1L/SC-CV-2PG21	111 010 261 5031
PG29	H10B-SFH-1L/SC-CV-PG29	111 010 261 5012
2PG29	H10B-SFH-1L/SC-CV-2PG29	111 010 261 5032
with metal cover		
M25	H10B-SFH-1L/SC-MCV-M25	111 010 261 5103
2M25	H10B-SFH-1L/SC-MCV-2M25	111 010 261 5123
M32	H10B-SFH-1L/SC-MCV-M32	111 010 261 5104
2M32	H10B-SFH-1L/SC-MCV-2M32	111 010 261 5124
PG21	H10B-SFH-1L/SC-MCV-PG21	111 010 261 5111
2PG21	H10B-SFH-1L/SC-MCV-2PG21	111 010 261 5131
PG29	H10B-SFH-1L/SC-MCV-PG29	111 010 261 5112
2PG29	H10B-SFH-1L/SC-MCV-2PG29	111 010 261 5132

Please refer to page 15-02 for choosing proper model of lock.



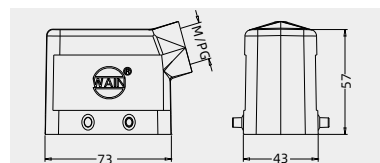
10B Metal hoods/housings

Degree of protection: IP65

Hoods, side entry



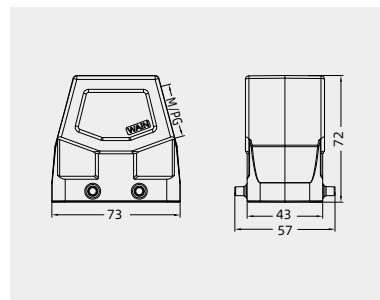
Thread	Designation	Order No.
M20	H10B-SE-4B-M20	111 010 530 1002
M25	H10B-SE-4B-M25	111 010 530 1003
PG16	H10B-SE-4B-PG16	111 010 530 1010



Hoods, side entry, high construction



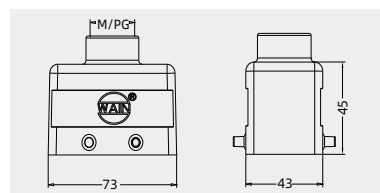
Thread	Designation	Order No.
---	W10B-BEH-4B	111 110 930 5003
M25	W10B-SEH-4B-M25	111 110 530 5001
M32	W10B-SEH-4B-M32	111 110 530 5002
PG21	W10B-SEH-4B-PG21	111 110 530 5003
PG29	W10B-SEH-4B-PG29	111 110 530 5004
	with sleeve	
M25	W10B-SEH-4B-M25 WS	111 110 530 5103
M32	W10B-SEH-4B-M32 WS	111 110 530 5104
PG21	W10B-SEH-4B-PG21 WS	111 110 530 5111
PG29	W10B-SEH-4B-PG29 WS	111 110 530 5112



Hoods, top entry



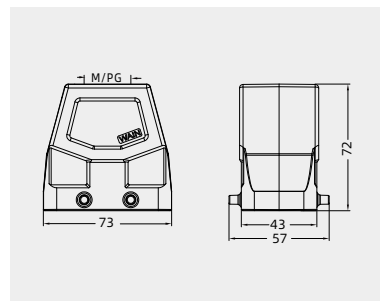
Thread	Designation	Order No.
M20	H10B-TE-4B-M20	111 010 430 1002
M25	H10B-TE-4B-M25	111 010 430 1003
PG16	H10B-TE-4B-PG16	111 010 430 1010



Hoods, top entry, high construction



Thread	Designation	Order No.
---	W10B-BEH-4B	111 110 930 5003
M25	W10B-TEH-4B-M25	111 110 430 5001
M32	W10B-TEH-4B-M32	111 110 430 5004
PG21	W10B-TEH-4B-PG21	111 110 430 5005
PG29	W10B-TEH-4B-PG29	111 110 430 5006
	with sleeve	
M25	W10B-TEH-4B-M25 WS	111 110 430 5103
M32	W10B-TEH-4B-M32 WS	111 110 430 5104
PG21	W10B-TEH-4B-PG21 WS	111 110 430 5111
PG29	W10B-TEH-4B-PG29 WS	111 110 430 5112

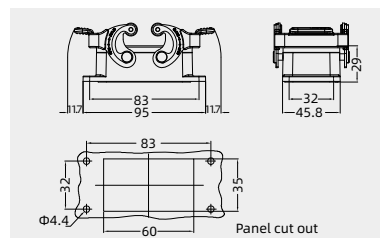


Bulkhead mounted housings



Thread	Designation	Order No.
---	H10B-BK-2L/SC	111 010 341 1001

Please refer to page 15-02 for choosing proper model of lock.

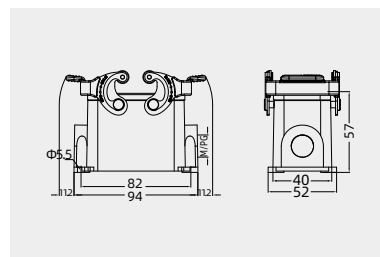


Surface mounted housings



Thread	Designation	Order No.
M20	H10B-SF-2L/SC-M20	111 010 241 1002
2M20	H10B-SF-2L/SC-2M20	111 010 241 1022
M25	H10B-SF-2L/SC-M25	111 010 241 1003
2M25	H10B-SF-2L/SC-2M25	111 010 241 1023
PG16	H10B-SF-2L/SC-PG16	111 010 241 1010
2PG16	H10B-SF-2L/SC-2PG16	111 010 241 1030

Please refer to page 15-02 for choosing proper model of lock.



10B Metal hoods/housings

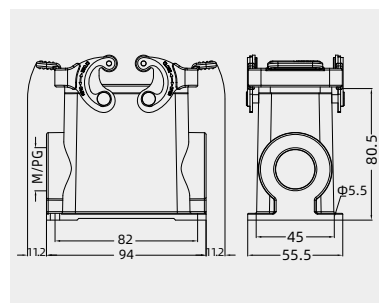
Degree of protection: IP65

Surface mounted housings, high construction



Thread	Designation	Order No.
M25	H10B-SFH-2L/SC-M25	111 010 241 5003
2M25	H10B-SFH-2L/SC-2M25	111 010 241 5023
M32	H10B-SFH-2L/SC-M32	111 010 241 5004
2M32	H10B-SFH-2L/SC-2M32	111 010 241 5024
PG21	H10B-SFH-2L/SC-PG21	111 010 241 5011
2PG21	H10B-SFH-2L/SC-2PG21	111 010 241 5031
PG29	H10B-SFH-2L/SC-PG29	111 010 241 5012
2PG29	H10B-SFH-2L/SC-2PG29	111 010 241 5032

Please refer to page 15-02 for choosing proper model of lock.

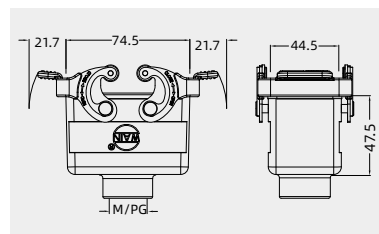


Housings, cable to cable



Thread	Designation	Order No.
M20	H10B-CCT-2L/SC-M20	111 010 741 1002
M25	H10B-CCT-2L/SC-M25	111 010 741 1003
PG16	H10B-CCT-2L/SC-PG16	111 010 741 1010

Please refer to page 15-02 for choosing proper model of lock.

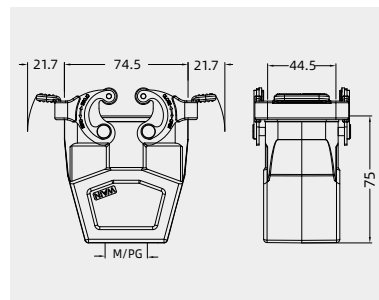


Housings, cable to cable, high construction



Thread	Designation	Order No.
M25	W10B-CCTH-2L/SC-M25	111 110 741 5001
M32	W10B-CCTH-2L/SC-M32	111 110 741 5002
PG21	W10B-CCTH-2L/SC-PG21	111 110 741 5003
PG29	W10B-CCTH-2L/SC-PG29 with sleeve	111 110 741 5004
M25	W10B-CCTH-2L/SC-M25 WS	111 110 741 5103
M32	W10B-CCTH-2L/SC-M32 WS	111 110 741 5104
PG21	W10B-CCTH-2L/SC-PG21 WS	111 110 741 5111
PG29	W10B-CCTH-2L/SC-PG29 WS	111 110 741 5112

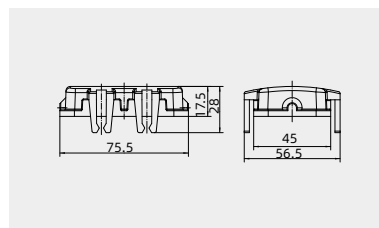
Please refer to page 15-02 for choosing proper model of lock.



Protection covers, plastic



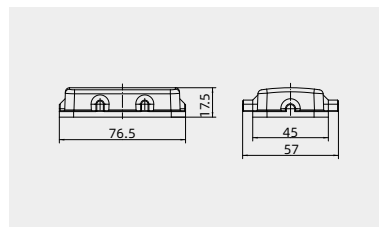
Connect way	Applications	Designation	Order No.
---	for hoods	H10B-CV-4C	111 010 090 8009



Protection covers, plastic



Connect way	Applications	Designation	Order No.
	for Housings, cable to cable	H10B-CV-4B/1	111 010 030 8001
	for Housings, bulkhead mounting / surface mounting	H10B-CV-4B/2	111 010 030 8002



10B Metal hoods/housings

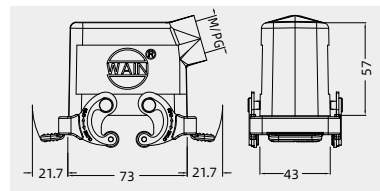
Degree of protection: IP65

Hoods, side entry



Thread	Designation	Order No.
M20	H10B-SE-2L/SC-M20	111 010 541 1002
M25	H10B-SE-2L/SC-M25	111 010 514 1003
PG16	H10B-SE-2L/SC-PG16	111 010 541 1010

Please refer to page 15-02 for choosing proper model of lock.

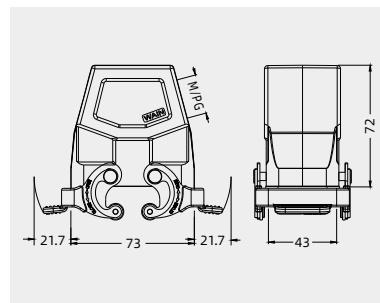


Hoods, side entry, high construction



Thread	Designation	Order No.
M25	W10B-SEH-2L/SC-M25	111 110 541 5001
M32	W10B-SEH-2L/SC-M32	111 110 541 5002
PG21	W10B-SEH-2L/SC-PG21	111 110 541 5003
PG29	W10B-SEH-2L/SC-PG29	111 110 541 5004
	with sleeve	
M25	W10B-SEH-2L/SC-M25 WS	111 110 541 5103
M32	W10B-SEH-2L/SC-M32 WS	111 110 541 5104
PG21	W10B-SEH-2L/SC-PG21 WS	111 110 541 5111
PG29	W10B-SEH-2L/SC-PG29 WS	111 110 541 5112

Please refer to page 15-02 for choosing proper model of lock.

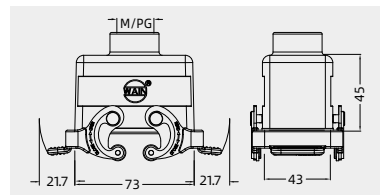


Hoods, top entry



Thread	Designation	Order No.
M20	H10B-TE-2L/SC-M20	111 010 441 1002
M25	H10B-TE-2L/SC-M25	111 010 414 1003
PG16	H10B-TE-2L/SC-PG16	111 010 441 1010

Please refer to page 15-02 for choosing proper model of lock.

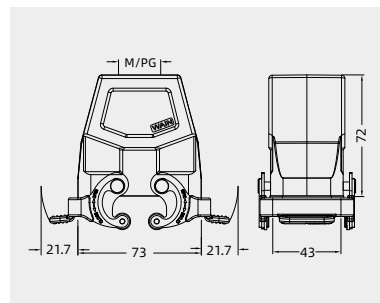


Hoods, top entry, high construction



Thread	Designation	Order No.
M25	W10B-TEH-2L/SC-M25	111 110 441 5001
M32	W10B-TEH-2L/SC-M32	111 110 441 5002
PG21	W10B-TEH-2L/SC-PG21	111 110 441 5003
PG29	W10B-TEH-2L/SC-PG29	111 110 441 5004
	with sleeve	
M25	W10B-TEH-2L/SC-M25 WS	111 110 441 5103
M32	W10B-TEH-2L/SC-M32 WS	111 110 441 5104
PG21	W10B-TEH-2L/SC-PG21 WS	111 110 441 5111
PG29	W10B-TEH-2L/SC-PG29 WS	111 110 441 5112

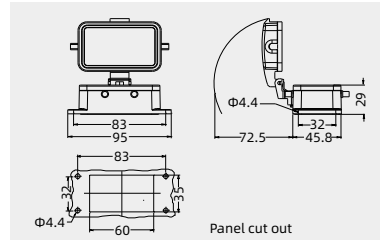
Please refer to page 15-02 for choosing proper model of lock.



Bulkhead mounted housings



Thread	Designation	Order No.
---	H10B-BK-4B	111 010 330 1001
	with plastic cover	
---	H10B-BK-4B-CV	111 010 370 1001
	with metal cover	
---	H10B-BK-4B-MCV	111 010 370 1101



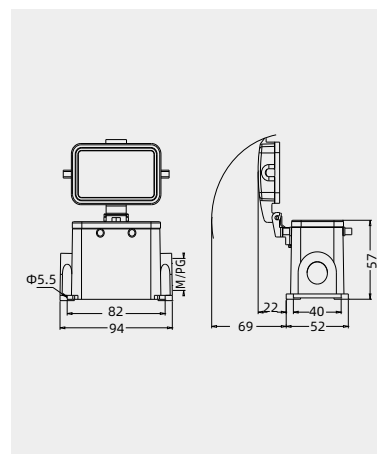
10B Metal hoods/housings

Degree of protection: IP65

Surface mounted housings



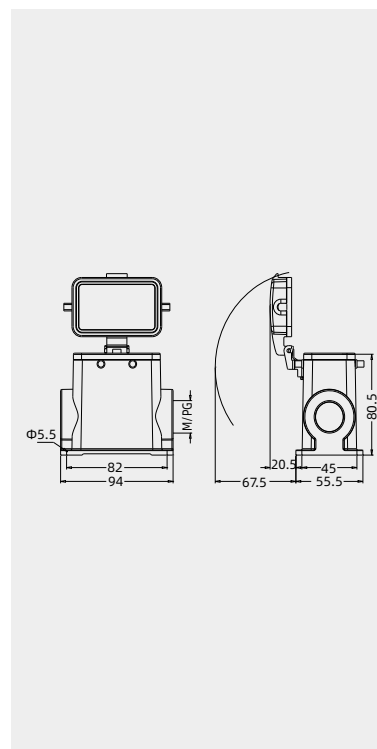
Thread	Designation	Order No.
M20	H10B-SF-4B-M20	111 010 230 1002
2M20	H10B-SF-4B-2M20	111 010 230 1022
PG16	H10B-SF-4B-PG16	111 010 230 1010
2PG16	H10B-SF-4B-2PG16	111 010 230 1030
with plastic cover		
M20	H10B-SF-4B-CV-M20	111 010 270 1002
2M20	H10B-SF-4B-CV-2M20	111 010 270 1022
PG16	H10B-SF-4B-CV-PG16	111 010 270 1010
2PG16	H10B-SF-4B-CV-2PG16	111 010 270 1030
with metal cover		
M20	H10B-SF-4B-MCV-M20	111 010 270 1102
2M20	H10B-SF-4B-MCV-2M20	111 010 270 1122
PG16	H10B-SF-4B-MCV-PG16	111 010 270 1110
2PG16	H10B-SF-4B-MCV-2PG16	111 010 270 1130



Surface mounted housings, high construction



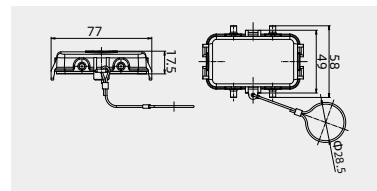
Thread	Designation	Order No.
M25	H10B-SFH-4B-M25	111 010 230 5003
2M25	H10B-SFH-4B-2M25	111 010 230 5023
M32	H10B-SFH-4B-M32	111 010 230 5004
2M32	H10B-SFH-4B-2M32	111 010 230 5024
PG21	H10B-SFH-4B-PG21	111 010 230 5011
2PG21	H10B-SFH-4B-2PG21	111 010 230 5031
PG29	H10B-SFH-4B-PG29	111 010 230 5012
2PG29	H10B-SFH-4B-2PG29	111 010 230 5032
with plastic cover		
M25	H10B-SFH-4B-CV-M25	111 010 270 5003
2M25	H10B-SFH-4B-CV-2M25	111 010 270 5023
M32	H10B-SFH-4B-CV-M32	111 010 270 5004
2M32	H10B-SFH-4B-CV-2M32	111 010 270 5024
PG21	H10B-SFH-4B-CV-PG21	111 010 270 5011
2PG21	H10B-SFH-4B-CV-2PG21	111 010 270 5031
PG29	H10B-SFH-4B-CV-PG29	111 010 270 5012
2PG29	H10B-SFH-4B-CV-2PG29	111 010 270 5032
with metal cover		
M25	H10B-SFH-4B-MCV-M25	111 010 270 5103
2M25	H10B-SFH-4B-MCV-2M25	111 010 270 5123
M32	H10B-SFH-4B-MCV-M32	111 010 270 5104
2M32	H10B-SFH-4B-MCV-2M32	111 010 270 5124
PG21	H10B-SFH-4B-MCV-PG21	111 010 270 5111
2PG21	H10B-SFH-4B-MCV-2PG21	111 010 270 5131
PG29	H10B-SFH-4B-MCV-PG29	111 010 270 5112
2PG29	H10B-SFH-4B-MCV-2PG29	111 010 270 5132



Protection covers, metal



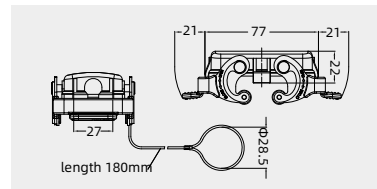
Connect way	Application	Designation	Order No.
	for hoods	H10B-MCV-4B/1S	111 010 030 8103
	for housings, without sealing	H10B-MCV-4B/2	111 010 030 8102



Protection covers, metal



Connect way	Application	Designation	Order No.
	for hoods	H10B-MCV-2L/SC.1S	111 010 041 8101
	for housings	H10B-MCV-2L/SC.2	111 010 041 8102



Please refer to page 15-02 for choosing proper model of lock.

10B Metal hoods/housings

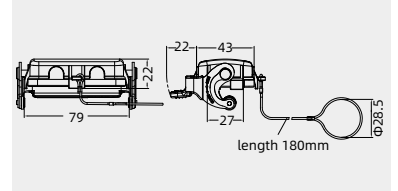
Degree of protection: IP65

Protection covers, metal



Connect way	Applications	Designation	Order No.
	for hoods	H10B-MCV-1L/SC.1S	111 010 021 8001

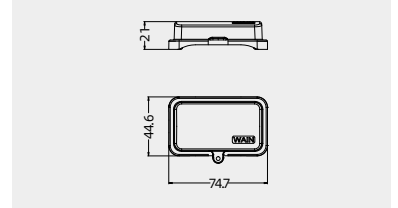
Please refer to page 15-02 for choosing proper model of lock.



Protection covers(IP5X)



Thread	Applications	Designation	Order No.
---	for housings	10B-CV/C	111 010 000 8002

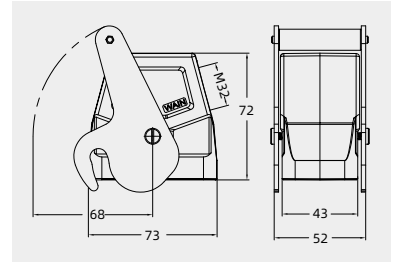


H

Hoods, side entry, high construction



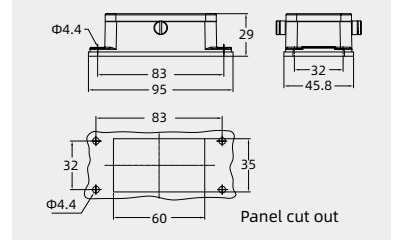
Thread	Designation	Order No.
M25	W10B-SEH-1L/C-M25	111 110 550 5002
M32	W10B-SEH-1L/C-M32	111 110 550 5001



Bulkhead mounted housings



Thread	Designation	Order No.
---	H10B-BK-2B/C	111 010 350 1001



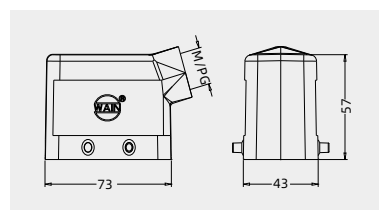
10B Metal hoods/housings
-Suitable for harsh environment(anti-corrosion)

Degree of protection: IP65

Hoods, side entry



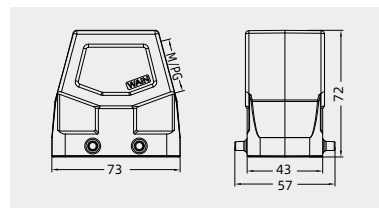
Thread	Designation	Order No.
M20	H10B-MSE-4B-M20	112 010 530 1002
M25	H10B-MSE-4B-M25	112 010 530 1003
PG16	H10B-MSE-4B-PG16	112 010 530 1010



Hoods, side entry, high construction



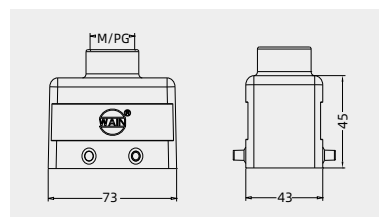
Thread	Designation	Order No.
M25	W10B-MSEH-4B-M25	112 110 530 5001
M32	W10B-MSEH-4B-M32	112 110 530 5007
PG21	W10B-MSEH-4B-PG21	112 110 530 5011
PG29	W10B-MSEH-4B-PG29	112 110 530 5012



Hoods, top entry



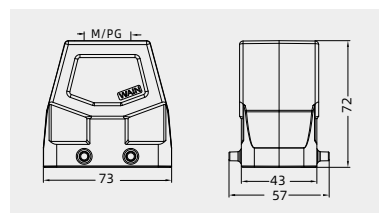
Thread	Designation	Order No.
M20	H10B-MTE-4B-M20	112 010 430 1002
M25	H10B-MTE-4B-M25	112 010 430 1003
PG16	H10B-MTE-4B-PG16	112 010 430 1010



Hoods, top entry, high construction



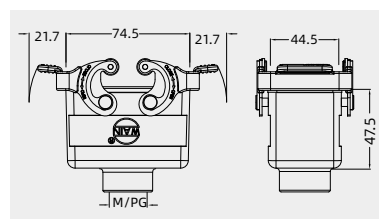
Thread	Designation	Order No.
M25	W10B-MTEH-4B-M25	112 110 430 5003
M32	W10B-MTEH-4B-M32	112 110 430 5001
PG21	W10B-MTEH-4B-PG21	112 110 430 5011
PG29	W10B-MTEH-4B-PG29	112 110 430 5012



Housings, cable to cable



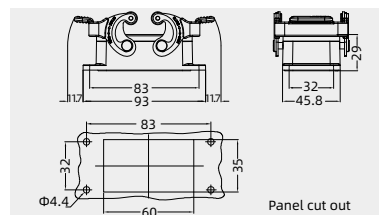
Thread	Designation	Order No.
M20	H10B-MCCT-2L/SC-M20	112 010 741 1002
M25	H10B-MCCT-2L/SC-M25	112 010 741 1003
PG16	H10B-MCCT-2L/SC-PG16	112 010 741 1010



Bulkhead mounted housings



Thread	Designation	Order No.
---	H10B-MBK-2L/SC	112 010 341 1001



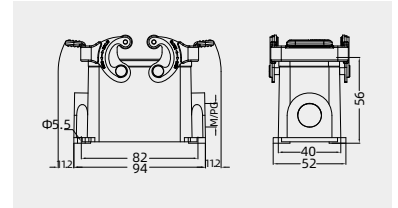
10B Metal hoods/housings -Suitable for harsh environment(anti-corrosion)

Degree of protection: IP65

Hoods, side entry



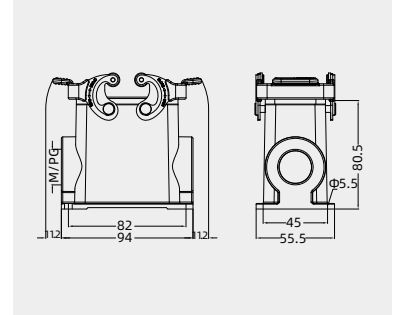
Thread	Designation	Order No.
M20	H10B-MSF-2L/SC-M20	112 010 241 1002
2M20	H10B-MSF-2L/SC-2M20	112 010 241 1022
M25	H10B-MSF-2L/SC-M25	112 010 241 1003
2M25	H10B-MSF-2L/SC-2M25	112 010 241 1023
PG16	H10B-MSF-2L/SC-PG16	112 010 241 1010
2PG16	H10B-MSF-2L/SC-2PG16	112 010 241 1030



Hoods, side entry, high construction



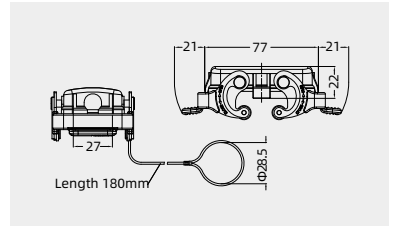
Thread	Designation	Order No.
M25	H10B-MSFH-2L/SC-M25	112 010 241 5003
2M25	H10B-MSFH-2L/SC-2M25	112 010 241 5023
M32	H10B-MSFH-2L/SC-M32	112 010 241 5004
2M32	H10B-MSFH-2L/SC-2M32	112 010 241 5024
PG21	H10B-MSFH-2L/SC-PG21	112 010 241 5011
2PG21	H10B-MSFH-2L/SC-2PG21	112 010 241 5031
PG29	H10B-MSFH-2L/SC-PG29	112 010 241 5012
2PG29	H10B-MSFH-2L/SC-2PG29	112 010 241 5032



Protection covers



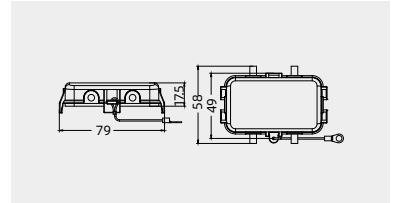
Connect way	Designation	Order No.
	H10B-MMCV-2L/SC.1S	112 010 041 8001



Protection covers



Connect way	Designation	Order No.
	H10B-MMCV-4B/2	112 010 030 8002



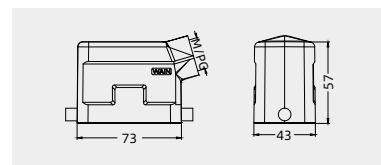
10B Metal hoods/housings

Degree of protection: IP67

Hoods, side entry



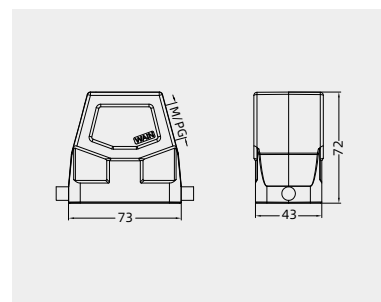
Thread	Designation	Order No.
M20	W10B-SE-2B-M20	111 110 510 1001
M25	W10B-SE-2B-M25	111 110 510 1002
PG16	W10B-SE-2B-PG16	111 110 510 1003



Hoods, side entry, high construction



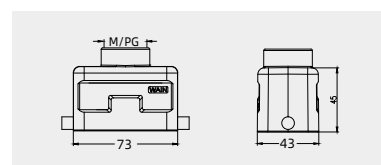
Thread	Designation	Order No.
---	W10B-BEH-2B	111 110 910 5001
M25	W10B-SEH-2B-M25	111 110 510 5001
M32	W10B-SEH-2B-M32	111 110 510 5002
PG21	W10B-SEH-2B-PG21	111 110 510 5003
PG29	W10B-SEH-2B-PG29	111 110 510 5004
	with sleeve	
M25	W10B-SEH-2B-M25 WS	111 110 515 5103
M32	W10B-SEH-2B-M32 WS	111 110 515 5104
PG21	W10B-SEH-2B-PG21 WS	111 110 515 5111
PG29	W10B-SEH-2B-PG29 WS	111 110 515 5112



Hoods, top entry



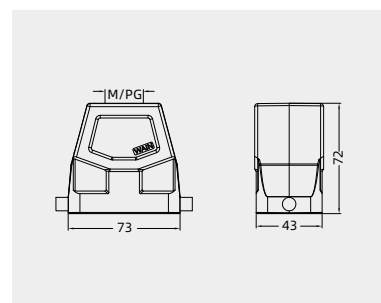
Thread	Designation	Order No.
M20	W10B-TE-2B-M20	111 110 410 1001
M25	W10B-TE-2B-M25	111 110 410 1002
PG16	W10B-TE-2B-PG16	111 110 410 1003



Hoods, top entry, high construction



Thread	Designation	Order No.
---	W10B-BEH-2B	111 110 910 5001
M25	W10B-TEH-2B-M25	111 110 410 5001
M32	W10B-TEH-2B-M32	111 110 410 5002
PG21	W10B-TEH-2B-PG21	111 110 410 5003
PG29	W10B-TEH-2B-PG29	111 110 410 5004
	with sleeve	
M25	W10B-TEH-2B-M25 WS	111 110 415 5103
M32	W10B-TEH-2B-M32 WS	111 110 415 5104
PG21	W10B-TEH-2B-PG21 WS	111 110 415 5111
PG29	W10B-TEH-2B-PG29 WS	111 110 415 5112



10B Metal hoods/housings

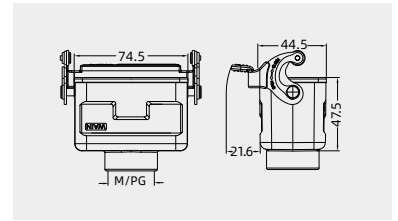
Degree of protection: IP67

Housings, cable to cable



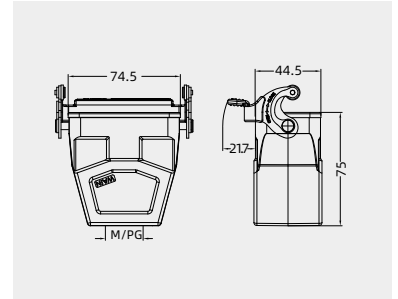
Thread	Designation	Order No.
M20	W10B-CCT-1L/SC-M20	111 110 721 1002
M25	W10B-CCT-1L/SC-M25	111 110 721 1003
PG16	W10B-CCT-1L/SC-PG16	111 110 721 1004

Please refer to page 15-02 for choosing proper model of lock.

Housings, cable to cable,
high construction

Thread	Designation	Order No.
M25	W10B-CCTH-1L/SC-M25	111 110 721 5001
M32	W10B-CCTH-1L/SC-M32	111 110 721 5002
PG21	W10B-CCTH-1L/SC-PG21	111 110 721 5003
PG29	W10B-CCTH-1L/SC-PG29	111 110 721 5004
	with sleeve	
M25	W10B-CCTH-1L/SC-M25 WS	111 110 721 5103
M32	W10B-CCTH-1L/SC-M32 WS	111 110 721 5104
PG21	W10B-CCTH-1L/SC-PG21 WS	111 110 721 5111
PG29	W10B-CCTH-1L/SC-PG29 WS	111 110 721 5112

Please refer to page 15-02 for choosing proper model of lock.

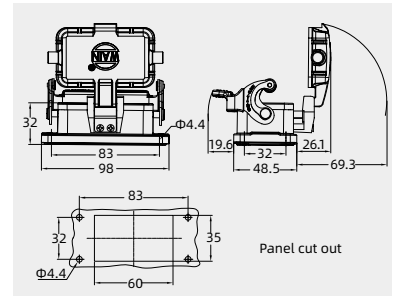


Bulkhead mounted housings



Thread	Designation	Order No.
---	W10B-BK-1L/SC with plastic cover	111 110 321 1001
---	W10B-BK-1L/SC-CV with metal cover	111 110 321 8001
---	W10B-BK-1L/SC-MCV	111 110 321 8002

Please refer to page 15-02 for choosing proper model of lock.



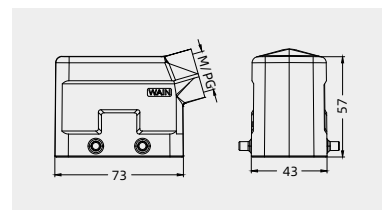
10B Metal hoods/housings

Degree of protection: IP67

Hoods, side entry



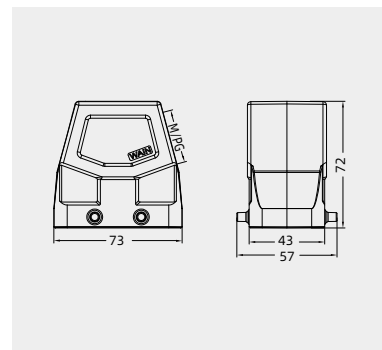
Thread	Designation	Order No.
M20	W10B-SE-4B-M20	111 110 530 1005
M25	W10B-SE-4B-M25	111 110 530 1006
PG16	W10B-SE-4B-PG16	111 110 530 1007



Hoods, side entry, high construction



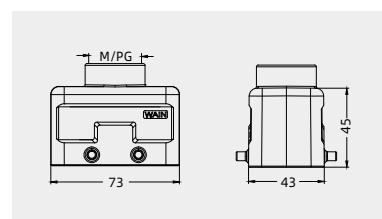
Thread	Designation	Order No.
---	W10B-BEH-4B	111 110 930 5003
M25	W10B-SEH-4B-M25	111 110 530 5001
M32	W10B-SEH-4B-M32	111 110 530 5002
PG21	W10B-SEH-4B-PG21	111 110 530 5003
PG29	W10B-SEH-4B-PG29	111 110 530 5004
	with sleeve	
M25	W10B-SEH-4B-M25 WS	111 110 530 5103
M32	W10B-SEH-4B-M32 WS	111 110 530 5104
PG21	W10B-SEH-4B-PG21 WS	111 110 530 5111
PG29	W10B-SEH-4B-PG29 WS	111 110 530 5112



Hoods, top entry



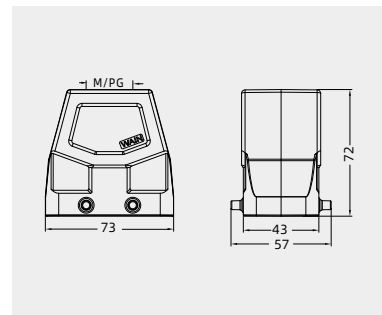
Thread	Designation	Order No.
M20	W10B-TE-4B-M20	111 110 430 1005
M25	W10B-TE-4B-M25	111 110 430 1006
PG16	W10B-TE-4B-PG16	111 110 430 1007



Hoods, top entry, high construction



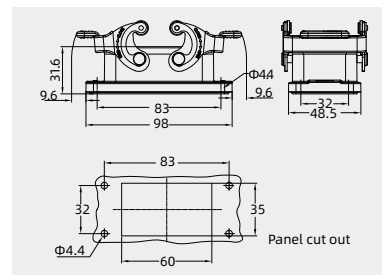
Thread	Designation	Order No.
---	W10B-BEH-4B	111 110 930 5003
M25	W10B-TEH-4B-M25	111 110 430 5001
M32	W10B-TEH-4B-M32	111 110 430 5004
PG21	W10B-TEH-4B-PG21	111 110 430 5005
PG29	W10B-TEH-4B-PG29	111 110 430 5006
	with sleeve	
M25	W10B-TEH-4B-M25 WS	111 110 430 5103
M32	W10B-TEH-4B-M32 WS	111 110 430 5104
PG21	W10B-TEH-4B-PG21 WS	111 110 430 5111
PG29	W10B-TEH-4B-PG29 WS	111 110 430 5112



Bulkhead mounted housings



Thread	Designation	Order No.
---	W10B-BK-2L/SC	111 110 341 1002



Please refer to page 15-02 for choosing proper model of lock.

10B Metal hoods/housings

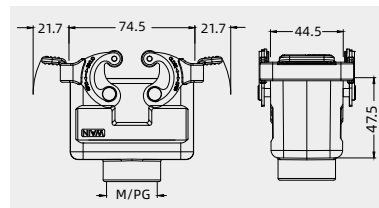
Degree of protection: IP67

Housings, cable to cable



Thread	Designation	Order No.
M20	W10B-CCT-2L/SC-M20	111 110 741 1002
M25	W10B-CCT-2L/SC-M25	111 110 741 1003
PG16	W10B-CCT-2L/SC-PG16	111 110 741 1004

Please refer to page 15-02 for choosing proper model of lock.

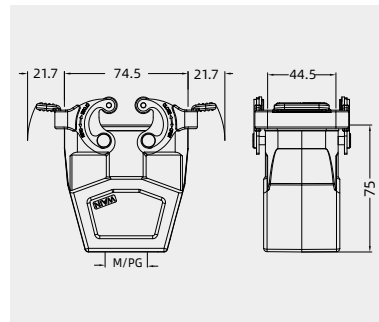


Housings, cable to cable, high construction



Thread	Designation	Order No.
M25	W10B-CCTH-2L/SC-M25	111 110 741 5001
M32	W10B-CCTH-2L/SC-M32	111 110 741 5002
PG21	W10B-CCTH-2L/SC-PG21	111 110 741 5003
PG29	W10B-CCTH-2L/SC-PG29 with sleeve	111 110 741 5004
M25	W10B-CCTH-2L/SC-M25 WS	111 110 741 5103
M32	W10B-CCTH-2L/SC-M32 WS	111 110 741 5104
PG21	W10B-CCTH-2L/SC-PG21 WS	111 110 741 5111
PG29	W10B-CCTH-2L/SC-PG29 WS	111 110 741 5112

Please refer to page 15-02 for choosing proper model of lock.



10B Metal hoods/housings

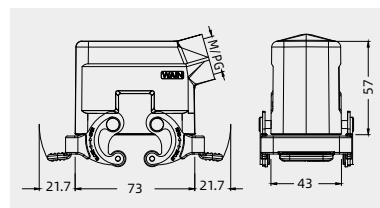
Degree of protection: IP67

Hoods, side entry



Thread	Designation	Order No.
M20	W10B-SE-2L/SC-M20	111 110 541 1001
M25	W10B-SE-2L/SC-M25	111 110 541 1003
PG16	W10B-SE-2L/SC-PG16	111 110 541 1002

Please refer to page 15-02 for choosing proper model of lock.

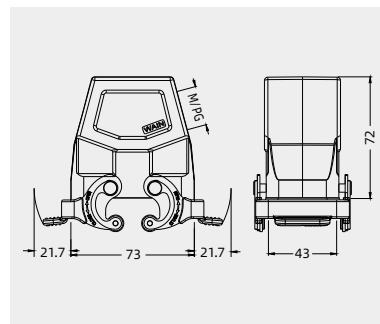


Hoods, side entry, high construction



Thread	Designation	Order No.
M25	W10B-SEH-2L/SC-M25	111 110 541 5001
M32	W10B-SEH-2L/SC-M32	111 110 541 5002
PG21	W10B-SEH-2L/SC-PG21	111 110 541 5003
PG29	W10B-SEH-2L/SC-PG29	111 110 541 5004
	with sleeve	
M25	W10B-SEH-2L/SC-M25 WS	111 110 541 5103
M32	W10B-SEH-2L/SC-M32 WS	111 110 541 5104
PG21	W10B-SEH-2L/SC-PG21 WS	111 110 541 5111
PG29	W10B-SEH-2L/SC-PG29 WS	111 110 541 5112

Please refer to page 15-02 for choosing proper model of lock.

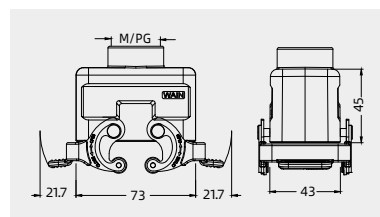


Hoods, top entry



Thread	Designation	Order No.
M20	W10B-TE-2L/SC-M20	111 110 441 1001
M25	W10B-TE-2L/SC-M25	111 110 441 1003
PG16	W10B-TE-2L/SC-PG16	111 110 441 1002

Please refer to page 15-02 for choosing proper model of lock.

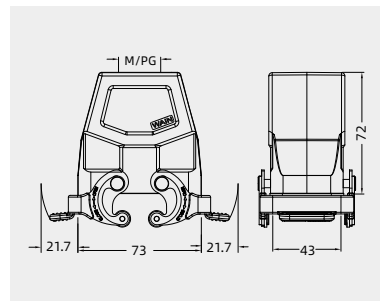


Hoods, top entry, high construction



Thread	Designation	Order No.
M25	W10B-TEH-2L/SC-M25	111 110 441 5001
M32	W10B-TEH-2L/SC-M32	111 110 441 5002
PG21	W10B-TEH-2L/SC-PG21	111 110 441 5003
PG29	W10B-TEH-2L/SC-PG29	111 110 441 5004
	with sleeve	
M25	W10B-TEH-2L/SC-M25 WS	111 110 441 5103
M32	W10B-TEH-2L/SC-M32 WS	111 110 441 5104
PG21	W10B-TEH-2L/SC-PG21 WS	111 110 441 5111
PG29	W10B-TEH-2L/SC-PG29 WS	111 110 441 5112

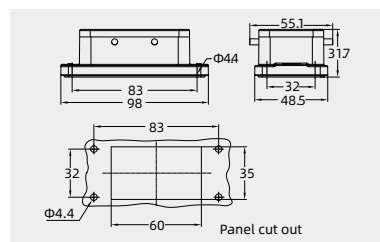
Please refer to page 15-02 for choosing proper model of lock.



Bulkhead mounted housings



Thread	Designation	Order No.
---	W10B-BK-4B	111 110 330 1001
---	W10B-BK-4B-CV	111 110 330 8001
---	W10B-BK-4B-MCV	111 110 330 8002



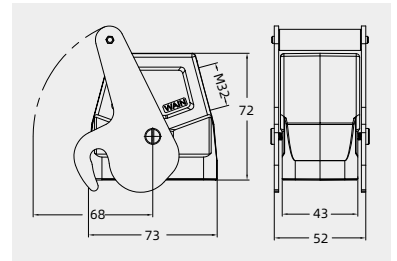
10B Metal hoods/housings

Degree of protection: IP67

Hoods, side entry, high construction



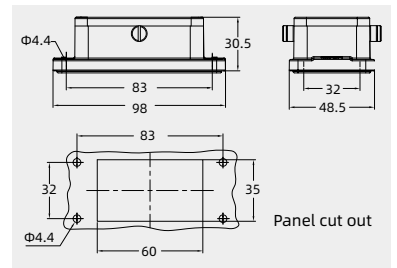
Thread	Designation	Order No.
M25	W10B-SEH-1L/C-M25	111 110 550 5002
M32	W10B-SEH-1L/C-M32	111 110 550 5001
PG21	W10B-SEH-1L/C-PG21	111 110 555 5001
PG29	W10B-SEH-1L/C-PG29	111 110 550 5003



Bulkhead mounted housings



Thread	Designation	Order No.
---	W10B-BK-2B/C	111 110 350 1001



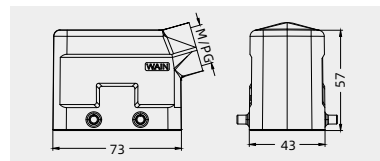
10B Metal hoods/housings
-Suitable for harsh environment(anti-corrosion)

Degree of protection: IP67

Hoods, side entry



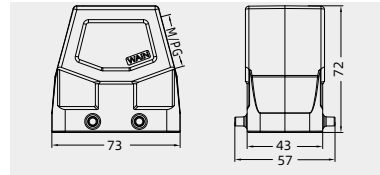
Thread	Designation	Order No.
M20	W10B-MSE-4B-M20	112 110 530 1001
M25	W10B-MSE-4B-M25	112 110 530 1003
PG16	W10B-MSE-4B-PG16	112 110 530 1002



Hoods, side entry, high construction



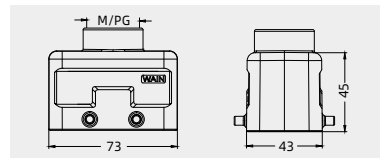
Thread	Designation	Order No.
M25	W10B-MSEH-4B-M25	112 110 530 5001
M32	W10B-MSEH-4B-M32	112 110 530 5007
PG21	W10B-MSEH-4B-PG21	112 110 530 5011
PG29	W10B-MSEH-4B-PG29	112 110 530 5012



Hoods, top entry



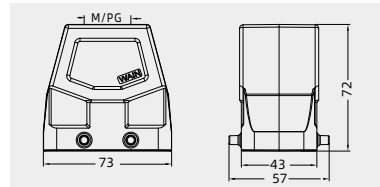
Thread	Designation	Order No.
M20	W10B-MTE-4B-M20	112 110 430 1001
M25	W10B-MTE-4B-M25	112 110 430 1003
PG16	W10B-MTE-4B-PG16	112 110 430 1002



Hoods, top entry, high construction



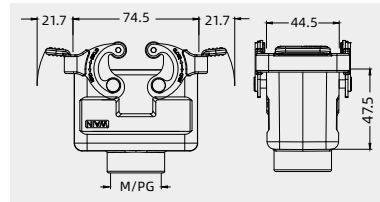
Thread	Designation	Order No.
M25	W10B-MTEH-4B-M25	112 110 430 5003
M32	W10B-MTEH-4B-M32	112 110 430 5001
PG21	W10B-MTEH-4B-PG21	112 110 430 5011
PG29	W10B-MTEH-4B-PG29	112 110 430 5012



Housings, cable to cable



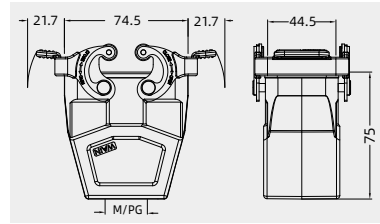
Thread	Designation	Order No.
M20	W10B-MCCT-2L/SC-M20	112 110 741 1002
M25	W10B-MCCT-2L/SC-M25	112 110 741 1003
PG16	W10B-MCCT-2L/SC-PG16	112 110 741 1001



Housings, cable to cable, high construction



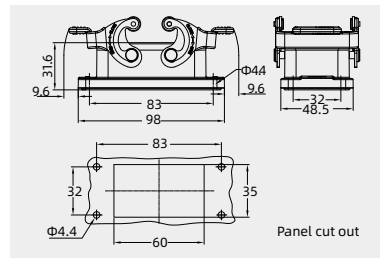
Thread	Designation	Order No.
M25	W10B-MCCTH-2L/SC-M25	112 110 741 5003
M32	W10B-MCCTH-2L/SC-M32	112 110 741 5004
PG21	W10B-MCCTH-2L/SC-PG21	112 110 741 5011
PG29	W10B-MCCTH-2L/SC-PG29	112 110 741 5012



Bulkhead mounted housings



Thread	Designation	Order No.
---	W10B-MBK-2L/SC	112 110 341 1001



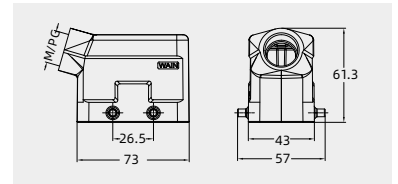
10B EMC Metal hoods/housings

Degree of protection: IP67

Hoods, side entry



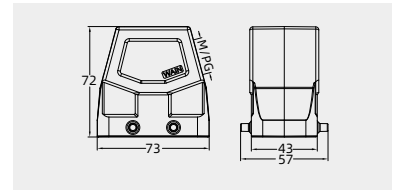
Thread	Designation	Order No.
M25	EMC.W10B-SE-4B-M20	111 210 530 1001
M32	EMC.W10B-SE-4B-M25	111 210 530 1002
PG29	EMC.W10B-SE-4B-PG16	111 210 530 1003



Hoods, side entry, high construction



Thread	Designation	Order No.
M25	EMC.W10B-SEH-4B-M25	111 210 530 5001
M32	EMC.W10B-SEH-4B-M32	111 210 530 5002
PG21	EMC.W10B-SEH-4B-PG21	111 210 530 5003
PG29	EMC.W10B-SEH-4B-PG29	111 210 530 5004

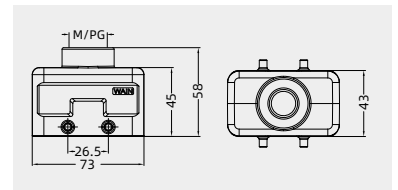


H

Hoods, top entry



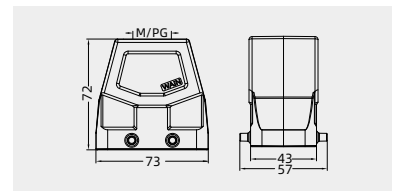
Thread	Designation	Order No.
M25	EMC.W10B-TE-4B-M20	111 210 430 1001
M32	EMC.W10B-TE-4B-M25	111 210 430 1002
PG29	EMC.W10B-TE-4B-PG16	111 210 430 1003



Hoods, top entry, high construction



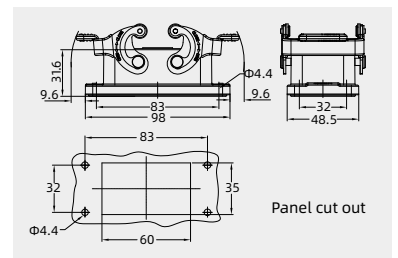
Thread	Designation	Order No.
M25	EMC.W10B-TEH-4B-M25	111 210 430 5001
M32	EMC.W10B-TEH-4B-M32	111 210 430 5002
PG21	EMC.W10B-TEH-4B-PG21	111 210 430 5003
PG29	EMC.W10B-TEH-4B-PG29	111 210 430 5004



Bulkhead mounted housings



Thread	Designation	Order No.
---	EMC1.W10B-BK-2L/SC	111 110 341 1001



10B Pressure tight hoods/housings

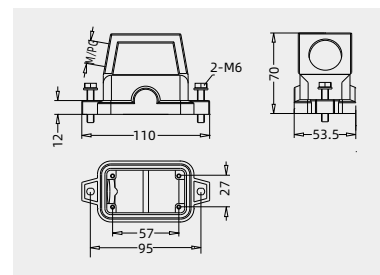
Degree of protection: IP68/IP69K

W version

Hoods, side entry, high construction



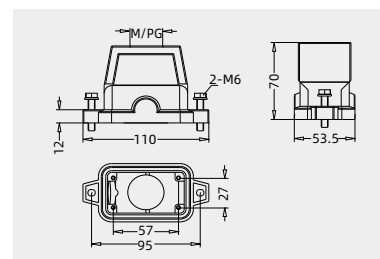
Thread	Designation	Order No.
M20	HP10B-SEH-2S-M20	115 010 520 5002
M25	HP10B-SEH-2S-M25	115 010 520 5103
M32	HP10B-SEH-2S-M32	115 010 520 5104
PG16	HP10B-SEH-2S-PG16	115 010 520 5110
PG21	HP10B-SEH-2S-PG21	115 010 520 5111



Hoods, top entry, high construction



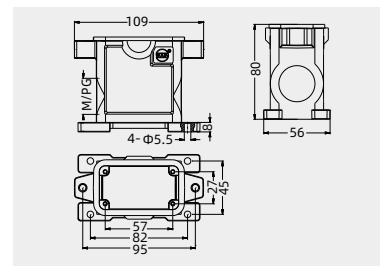
Thread	Designation	Order No.
M20	HP10B-TEH-2S-M20	115 010 420 5002
M25	HP10B-TEH-2S-M25	115 010 420 5103
M32	HP10B-TEH-2S-M32	115 010 420 5104
PG16	HP10B-TEH-2S-PG16	115 010 420 5110
PG21	HP10B-TEH-2S-PG21	115 010 420 5111
PG29	HP10B-TEH-2S-PG29	115 010 420 5012



Surface mounted housings, high construction



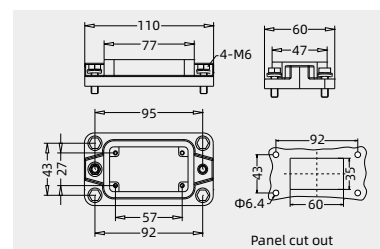
Thread	Designation	Order No.
M20	HP10B-SFH-2H-M20	115 010 220 5002
M25	HP10B-SFH-2H-M25	115 010 220 5003
M32	HP10B-SFH-2H-M32	115 010 220 5004
PG16	HP10B-SFH-2H-PG16	115 010 220 5010
PG21	HP10B-SFH-2H-PG21	115 010 220 5011



Bulkhead mounted housings



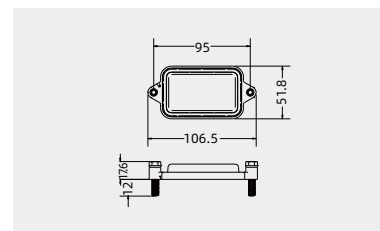
Thread	Designation	Order No.
---	HP10B-BK-2H	115 010 320 1001



Protection covers, plastic



Thread	Designation	Order No.
---	HP10B-CV-2S/2	115 010 020 8002



10B Pressure tight hoods/housings

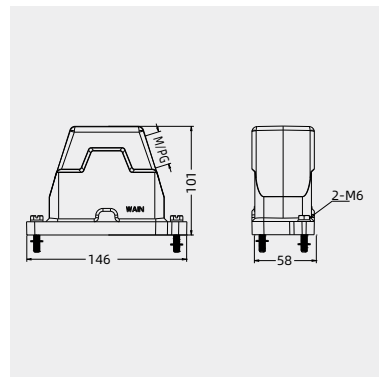
Degree of protection: IP68/IP69K

H version

Hoods, side entry, high construction



Thread	Designation	Order No.
	Screw locking	
M20	HP10B/H-SEH-2S-M20	113 610 520 5002
M25	HP10B/H-SEH-2S-M25	113 610 520 5003
M32	HP10B/H-SEH-2S-M32	113 610 520 5004
PG16	HP10B/H-SEH-2S-PG16	113 610 520 5010
PG21	HP10B/H-SEH-2S-PG21	113 610 520 5011
	Toggle locking	
M20	HP10B/H-SEH-2T-M20	113 610 540 5002
M25	HP10B/H-SEH-2T-M25	113 610 540 5003
M32	HP10B/H-SEH-2T-M32	113 610 540 5004
PG16	HP10B/H-SEH-2T-PG16	113 610 540 5010
PG21	HP10B/H-SEH-2T-PG21	113 610 540 5011

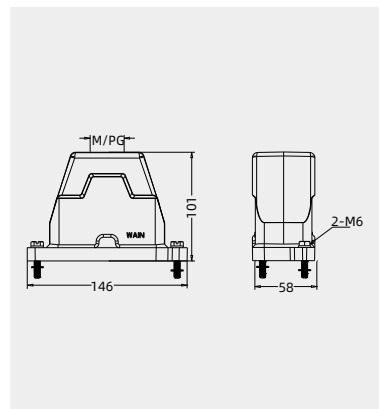


H

Hoods, top entry, high construction



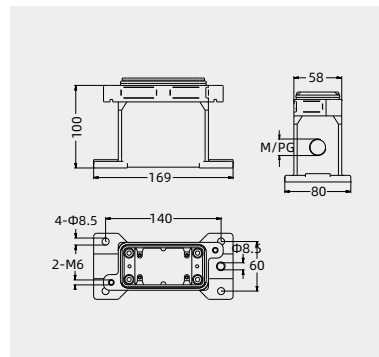
Thread	Designation	Order No.
	Screw locking	
M20	HP10B/H-TEH-2S-M20	113 610 420 5002
M25	HP10B/H-TEH-2S-M25	113 610 420 5003
M32	HP10B/H-TEH-2S-M32	113 610 420 5004
PG16	HP10B/H-TEH-2S-PG16	113 610 420 5010
PG21	HP10B/H-TEH-2S-PG21	113 610 420 5011
PG29	HP10B/H-TEH-2S-PG29	113 610 420 5012
	Toggle locking	
M20	HP10B/H-TEH-2T-M20	113 610 440 5002
M25	HP10B/H-TEH-2T-M25	113 610 440 5003
M32	HP10B/H-TEH-2T-M32	113 610 440 5004
PG16	HP10B/H-TEH-2T-PG16	113 610 440 5010
PG21	HP10B/H-TEH-2T-PG21	113 610 440 5011
PG29	HP10B/H-TEH-2T-PG29	113 610 440 5012



Surface mounted housings, high construction



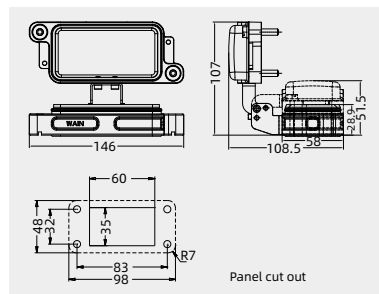
Thread	Designation	Order No.
	Screw locking	
M20	HP10B/H-SFH-2H-M20	113 610 220 5002
M25	HP10B/H-SFH-2H-M25	113 610 220 5003
M32	HP10B/H-SFH-2H-M32	113 610 220 5004
PG16	HP10B/H-SFH-2H-PG16	113 610 220 5010
PG21	HP10B/H-SFH-2H-PG21	113 610 220 5011
	Toggle locking	
M20	HP10B/H-SFH-2T-M20	113 610 240 5002
M25	HP10B/H-SFH-2T-M25	113 610 240 5003
M32	HP10B/H-SFH-2T-M32	113 610 240 5004
PG16	HP10B/H-SFH-2T-PG16	113 610 240 5010
PG21	HP10B/H-SFH-2T-PG21	113 610 240 5011



Bulkhead mounted housings



Thread	Designation	Order No.
	Screw locking	
---	HP10B/H-BK-2H	113 610 320 1001
	Toggle locking	
---	HP10B/H-BK-2T	113 610 340 1001
	with metal cover	
	Screw locking	
---	HP10B/H-BK-2H-MCV	113 610 360 1001
	Toggle locking	
---	HP10B/H-BK-2T-MCV	113 610 370 1001



10B Pressure tight hoods/housings

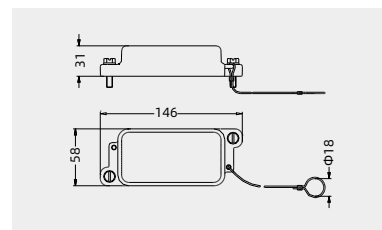
Degree of protection: IP68/IP69K

H version

Protection covers,for housings



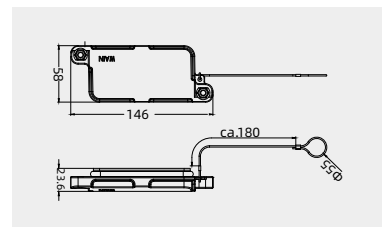
Connect way	Designation	Order No.
	Screw locking HP10B/H-MCV-2S	113 610 020 8101
	Toggle locking HP10B/H-MCV-2T	113 610 040 8103



Protection covers,for hoods



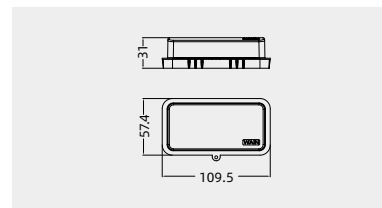
Connect way	Designation	Order No.
	Screw locking HP10B/H-MCV-2H/1	113 610 020 8111
	Toggle locking HP10B/H-MCV-2T/1	113 610 040 8101



Protection covers, for housings(IP5X)



Connect way	Designation	Order No.
---	HP10B/H-CV/C	113 010 900 8001



Degree of protection: IP68/IP69K

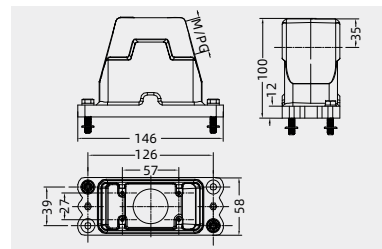
The following hoods/housings comply with the standards for rail transport industry in China.

H version

Hoods, side entry, high construction



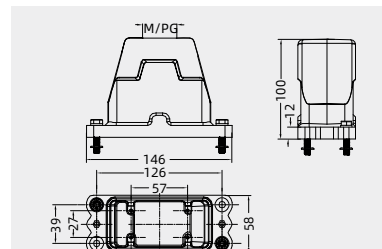
Thread	Designation	Order No.
M20	HP10B/H-SEH-4S-M20	113 610 530 5002
M25	HP10B/H-SEH-4S-M25	113 610 530 5003
M32	HP10B/H-SEH-4S-M32	113 610 530 5004
M40	HP10B/H-SEH-4S-M40	113 610 530 5005
PG16	HP10B/H-SEH-4S-PG16	113 610 530 5010
PG21	HP10B/H-SEH-4S-PG21	113 610 530 5011



Hoods, top entry, high construction



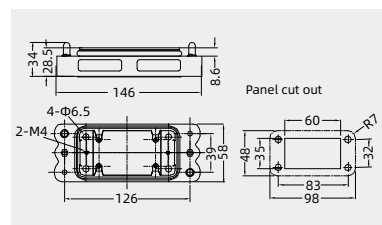
Thread	Designation	Order No.
M20	HP10B/H-TEH-4S-M20	113 610 430 5002
M25	HP10B/H-TEH-4S-M25	113 610 430 5003
M32	HP10B/H-TEH-4S-M32	113 610 430 5004
M40	HP10B/H-TEH-4S-M40	113 610 430 5005
PG16	HP10B/H-TEH-4S-PG16	113 610 430 5010
PG21	HP10B/H-TEH-4S-PG21	113 610 430 5011
PG29	HP10B/H-TEH-4S-PG29	113 610 430 5012



Bulkhead mounted housings



Thread	Designation	Order No.
---	HP10B/H-BK-4H	113 610 330 1001



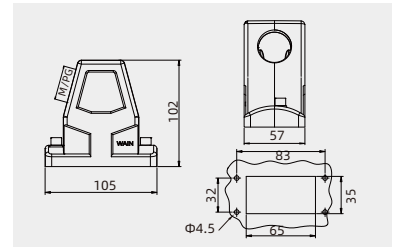
10B Pressure tight hoods/housings

Degree of protection: IP68/IP69K

Hoods, side entry, high construction



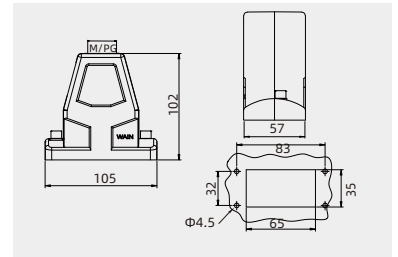
Thread	Designation	Order No.
M25	HC10B-SEH-2S-M25	114 010 520 5003
M32	HC10B-SEH-2S-M32	114 010 520 5004
PG16	HC10B-SEH-2S-PG16	114 010 520 5010
PG21	HC10B-SEH-2S-PG21	114 010 520 5011



Hoods, side entry, high construction



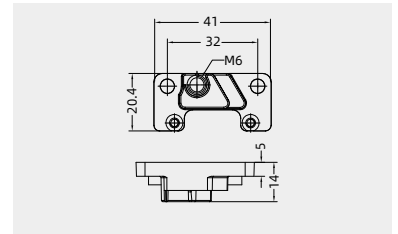
Thread	Designation	Order No.
M25	HC10B-TEH-2S-M25	114 010 420 5003
M32	HC10B-TEH-2S-M32	114 010 420 5004
PG16	HC10B-TEH-2S-PG16	114 010 420 5010
PG21	HC10B-TEH-2S-PG21	114 010 420 5011



Mounting flange



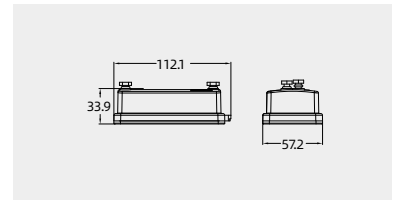
Applications	Designation	Order No.
for integral type hoods	APT-C	114 000 000 1001



Protection covers, plastic



Thread	Designation	Order No.
---	HC10B-CV-2S/2	111 010 020 8001



10B Pressure tight hoods/housings

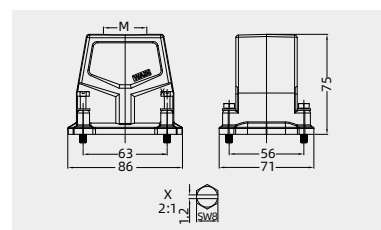
Degree of protection: IP68/IP69K

EMC Pressure tight hoods/housings

Hoods, top entry, high construction



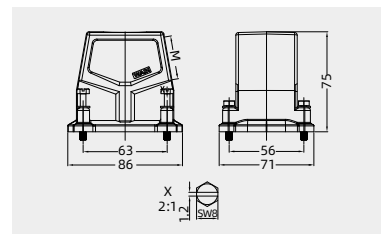
Thread	Designation	Order No.
M20	EMC.W10B-TEH-4S-M20	111 210 430 5005
M25	EMC.W10B-TEH-4S-M25	111 110 430 5002
M32	EMC.W10B-TEH-4S-M32	111 110 430 5003
PG21	EMC.W10B-TEH-4S-PG21	111 210 430 5006
PG29	EMC.W10B-TEH-4S-PG29	111 210 430 5007



Hoods, side entry, high construction



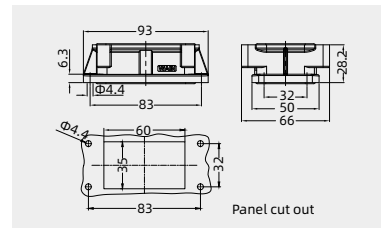
Thread	Designation	Order No.
M20	EMC.W10B-SEH-4S-M20	112 110 530 5003
M25	EMC.W10B-SEH-4S-M25	112 110 530 5004
M32	EMC.W10B-SEH-4S-M32	112 110 530 5002
PG21	EMC.W10B-SEH-4S-PG21	112 110 530 5005
PG29	EMC.W10B-SEH-4S-PG29	112 110 530 5006



Bulkhead mounted housings



Thread	Designation	Order No.
---	EMC.W10B-BK-4H	111 210 330 1001



H

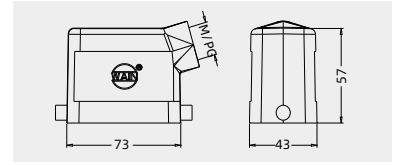
HV10B Metal hoods/housings - for high voltage inserts(HVE Series)

Degree of protection: IP65

Hoods, side entry



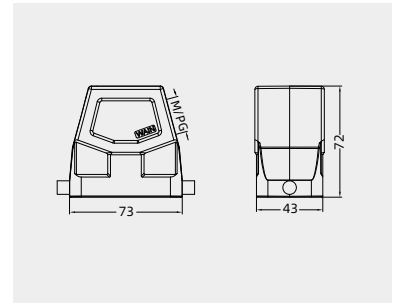
Thread	Designation	Order No.
M20	HV10B-SE-2B-M20	124 010 515 1002
PG16	HV10B-SE-2B-PG16	124 010 515 1010



Hoods, side entry, high construction



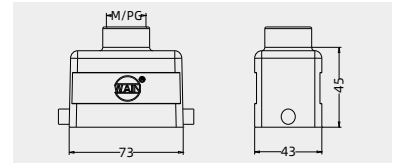
Thread	Designation	Order No.
M25	WV10B-SEH-2B-M25	124 110 510 5001
M32	WV10B-SEH-2B-M32	124 110 510 5002
PG21	WV10B-SEH-2B-PG21	124 110 510 5003
PG29	WV10B-SEH-2B-PG29	124 110 510 5004
	with sleeve	
M25	WV10B-SEH-2B-M25 WS	124 110 515 5103
M32	WV10B-SEH-2B-M32 WS	124 110 515 5104
PG21	WV10B-SEH-2B-PG21 WS	124 110 515 5111
PG29	WV10B-SEH-2B-PG29 WS	124 110 515 5112



Hoods, top entry



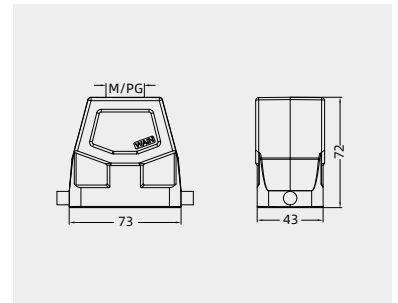
Thread	Designation	Order No.
M20	HV10B-TE-2B-M20	124 010 415 1002
PG16	HV10B-TE-2B-PG16	124 010 415 1010



Hoods, top entry, high construction



Thread	Designation	Order No.
M25	WV10B-TEH-2B-M25	124 110 410 5001
M32	WV10B-TEH-2B-M32	124 110 410 5002
PG21	WV10B-TEH-2B-PG21	124 110 410 5003
PG29	WV10B-TEH-2B-PG29	124 110 410 5004
	with sleeve	
M25	WV10B-TEH-2B-M25 WS	124 110 415 5103
M32	WV10B-TEH-2B-M32 WS	124 110 415 5104
PG21	WV10B-TEH-2B-PG21 WS	124 110 415 5111
PG29	WV10B-TEH-2B-PG29 WS	124 110 415 5112

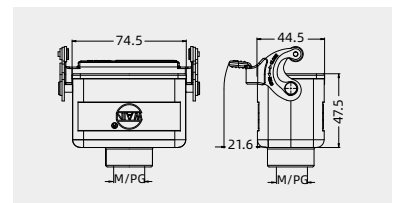


Housings, cable to cable



Thread	Designation	Order No.
M20	HV10B-CCT-1L/SC-M20	124 010 721 1002
PG16	HV10B-CCT-1L/SC-PG16	124 010 721 1010

Please refer to page 15-02 for choosing proper model of lock.

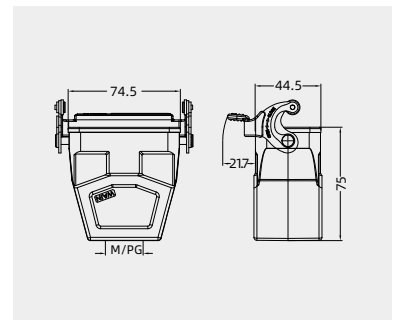


Housings, cable to cable, high construction



Thread	Designation	Order No.
M25	WV10B-CCTH-1L/SC-M25	124 110 721 5001
M32	WV10B-CCTH-1L/SC-M32	124 110 721 5002
PG21	WV10B-CCTH-1L/SC-PG21	124 110 721 5003
PG29	WV10B-CCTH-1L/SC-PG29	124 110 721 5004
	with sleeve	
M25	WV10B-CCTH-1L/SC-M25 WS	124 110 721 5103
M32	WV10B-CCTH-1L/SC-M32 WS	124 110 721 5104
PG21	WV10B-CCTH-1L/SC-PG21 WS	124 110 721 5111
PG29	WV10B-CCTH-1L/SC-PG29 WS	124 110 721 5112

Please refer to page 15-02 for choosing proper model of lock.



HV10B Metal hoods/housings
- for high voltage inserts(HVE Series)

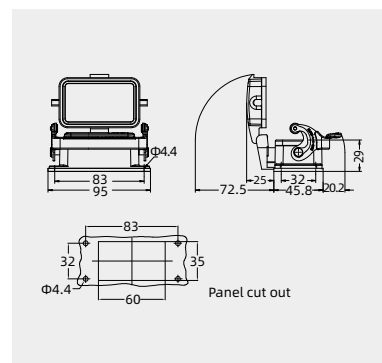
Degree of protection: IP65

Bulkhead mounted housings



Thread	Designation	Order No.
---	HV10B-BK-1L/SC with plastic cover	124 010 321 1001
---	HV10B-BK-1L/SC-CV with metal cover	124 010 361 1001
---	HV10B-BK-1L/SC-MCV	124 010 361 1101

Please refer to page 15-02 for choosing proper model of lock.

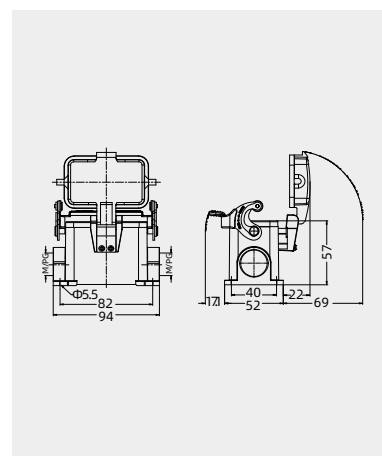


Surface mounted housings



Thread	Designation	Order No.
M20	HV10B-SF-1L/SC-M20	124 010 221 1002
2M20	HV10B-SF-1L/SC-2M20	124 010 221 1022
PG16	HV10B-SF-1L/SC-PG16	124 010 221 1010
2PG16	HV10B-SF-1L/SC-2PG16	124 010 221 1030
	with plastic cover	
M20	HV10B-SF-1L/SC-CV-M20	124 010 261 1002
2M20	HV10B-SF-1L/SC-CV-2M20	124 010 261 1022
PG16	HV10B-SF-1L/SC-CV-PG16	124 010 261 1010
2PG16	HV10B-SF-1L/SC-CV-2PG16	124 010 261 1030
	with metal cover	
M20	HV10B-SF-1L/SC-MCV-M20	124 010 261 1102
2M20	HV10B-SF-1L/SC-MCV-2M20	124 010 261 1122
PG16	HV10B-SF-1L/SC-MCV-PG16	124 010 261 1110
2PG16	HV10B-SF-1L/SC-MCV-2PG16	124 010 261 1130

Please refer to page 15-02 for choosing proper model of lock.

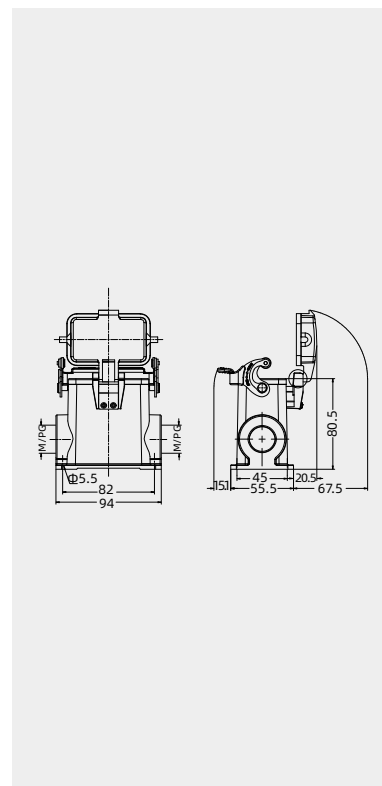


Surface mounted housings, high construction



Thread	Designation	Order No.
M25	HV10B-SFH-1L/SC-M25	124 010 221 5003
2M25	HV10B-SFH-1L/SC-2M25	124 010 221 5023
M32	HV10B-SFH-1L/SC-M32	124 010 221 5004
2M32	HV10B-SFH-1L/SC-2M32	124 010 221 5024
PG21	HV10B-SFH-1L/SC-PG21	124 010 221 5011
2PG21	HV10B-SFH-1L/SC-2PG21	124 010 221 5031
PG29	HV10B-SFH-1L/SC-PG29	124 010 221 5012
2PG29	HV10B-SFH-1L/SC-2PG29	124 010 221 5032
	with plastic cover	
M25	HV10B-SFH-1L/SC-CV-M25	124 010 261 5003
2M25	HV10B-SFH-1L/SC-CV-2M25	124 010 261 5023
M32	HV10B-SFH-1L/SC-CV-M32	124 010 261 5004
2M32	HV10B-SFH-1L/SC-CV-2M32	124 010 261 5024
PG21	HV10B-SFH-1L/SC-CV-PG21	124 010 261 5011
2PG21	HV10B-SFH-1L/SC-CV-2PG21	124 010 261 5031
PG29	HV10B-SFH-1L/SC-CV-PG29	124 010 261 5012
2PG29	HV10B-SFH-1L/SC-CV-2PG29	124 010 261 5032
	with metal cover	
M25	HV10B-SFH-1L/SC-MCV-M25	124 010 261 5103
2M25	HV10B-SFH-1L/SC-MCV-2M25	124 010 261 5123
M32	HV10B-SFH-1L/SC-MCV-M32	124 010 261 5104
2M32	HV10B-SFH-1L/SC-MCV-2M32	124 010 261 5124
PG21	HV10B-SFH-1L/SC-MCV-PG21	124 010 261 5111
2PG21	HV10B-SFH-1L/SC-MCV-2PG21	124 010 261 5131
PG29	HV10B-SFH-1L/SC-MCV-PG29	124 010 261 5112
2PG29	HV10B-SFH-1L/SC-MCV-2PG29	124 010 261 5132

Please refer to page 15-02 for choosing proper model of lock.



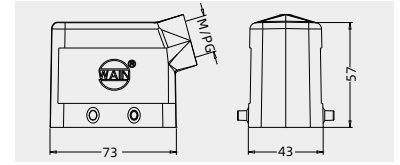
HV10B Metal hoods/housings - for high voltage inserts(HVE Series)

Degree of protection: IP65

Hoods, side entry



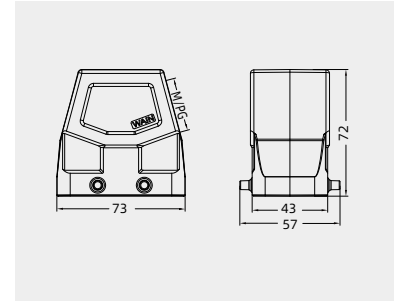
Thread	Designation	Order No.
M20	HV10B-SE-4B-M20	124 010 530 1002
PG16	HV10B-SE-4B-PG16	124 010 530 1010



Hoods, side entry, high construction



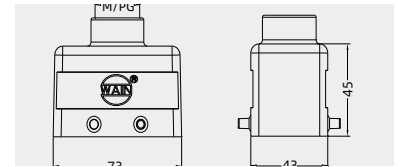
Thread	Designation	Order No.
M25	WV10B-SEH-4B-M25	124 110 530 5001
M32	WV10B-SEH-4B-M32	124 110 530 5002
PG21	WV10B-SEH-4B-PG21	124 110 530 5003
PG29	WV10B-SEH-4B-PG29	124 110 530 5004
	with sleeve	
M25	WV10B-SEH-4B-M25 <i>WS</i>	124 110 530 5103
M32	WV10B-SEH-4B-M32 <i>WS</i>	124 110 530 5104
PG21	WV10B-SEH-4B-PG21 <i>WS</i>	124 110 530 5111
PG29	WV10B-SEH-4B-PG29 <i>WS</i>	124 110 530 5112



Hoods, top entry



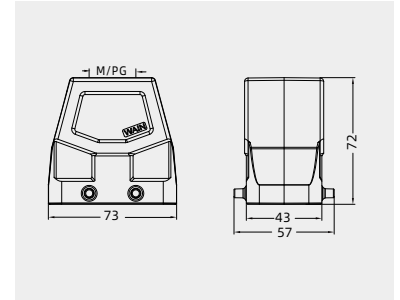
Thread	Designation	Order No.
M20	HV10B-TE-4B-M20	124 010 430 1002
PG16	HV10B-TE-4B-PG16	124 010 430 1010



Hoods, top entry, high construction



Thread	Designation	Order No.
M25	WV10B-TEH-4B-M25	124 110 430 5001
M32	WV10B-TEH-4B-M32	124 110 430 5002
PG21	WV10B-TEH-4B-PG21	124 110 430 5003
PG29	WV10B-TEH-4B-PG29	124 110 430 5004
	with sleeve	
M25	WV10B-TEH-4B-M25 <i>WS</i>	124 110 430 5103
M32	WV10B-TEH-4B-M32 <i>WS</i>	124 110 430 5104
PG21	WV10B-TEH-4B-PG21 <i>WS</i>	124 110 430 5111
PG29	WV10B-TEH-4B-PG29 <i>WS</i>	124 110 430 5112

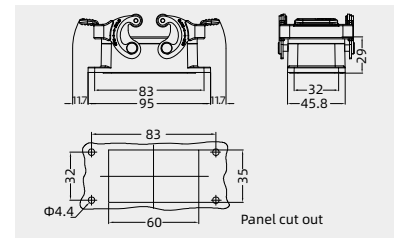


Bulkhead mounted housings



Thread	Designation	Order No.
---	HV10B-BK-2L/ <i>SC</i>	124 010 341 1001

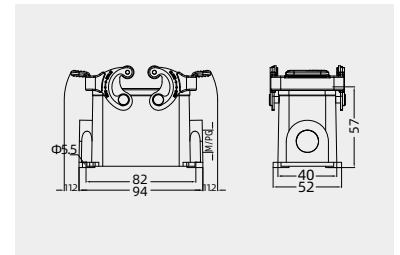
Please refer to page 15-02 for choosing proper model of lock.



Surface mounted housings



Thread	Designation	Order No.
M20	HV10B-SF-2L/ <i>SC</i> -M20	124 010 241 1002
2M20	HV10B-SF-2L/ <i>SC</i> -2M20	124 010 241 1022
M25	HV10B-SF-2L/ <i>SC</i> -M25	124 010 241 1003
2M25	HV10B-SF-2L/ <i>SC</i> -2M25	124 010 241 1023
2PG16	HV10B-SF-2L/ <i>SC</i> -PG16	124 010 241 1010
2PG16	HV10B-SF-2L/ <i>SC</i> -2PG16	124 010 241 1030



HV10B Metal hoods/housings - for high voltage inserts(HVE Series)

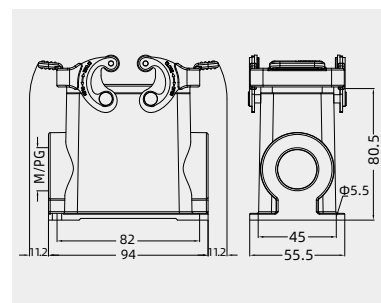
Degree of protection: IP65

Surface mounted housings, high construction



Thread	Designation	Order No.
M25	HV10B-SFH-2L/SC-M25	124 010 241 5003
2M25	HV10B-SFH-2L/SC-2M25	124 010 241 5023
M32	HV10B-SFH-2L/SC-M32	124 010 241 5004
2M32	HV10B-SFH-2L/SC-2M32	124 010 241 5024
PG21	HV10B-SFH-2L/SC-PG21	124 010 241 5011
2PG21	HV10B-SFH-2L/SC-2PG21	124 010 241 5031
PG29	HV10B-SFH-2L/SC-PG29	124 010 241 5012
2PG29	HV10B-SFH-2L/SC-2PG29	124 010 241 5032

Please refer to page 15-02 for choosing proper model of lock.

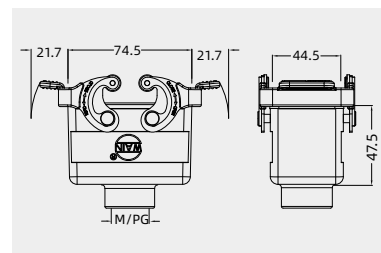


Housings, cable to cable



Thread	Designation	Order No.
M20	HV10B-CCT-2L/SC-M20	124 010 741 1002
PG16	HV10B-CCT-2L/SC-PG16	124 010 741 1010

Please refer to page 15-02 for choosing proper model of lock.

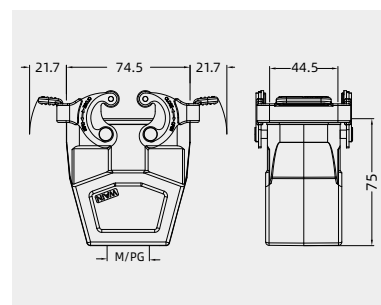


Housings, cable to cable, high construction



Thread	Designation	Order No.
M25	WV10B-CCTH-2L/SC-M25	124 110 741 5001
M32	WV10B-CCTH-2L/SC-M32	124 110 741 5002
PG21	WV10B-CCTH-2L/SC-PG21	124 110 741 5003
PG29	WV10B-CCTH-2L/SC-PG29	124 110 741 5004
	with sleeve	
M25	WV10B-CCTH-2L/SC-M25 WS	124 110 741 5103
M32	WV10B-CCTH-2L/SC-M32 WS	124 110 741 5104
PG21	WV10B-CCTH-2L/SC-PG21 WS	124 110 741 5111
PG29	WV10B-CCTH-2L/SC-PG29 WS	124 110 741 5112

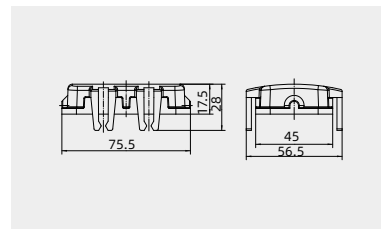
Please refer to page 15-02 for choosing proper model of lock.



Protection covers, plastic



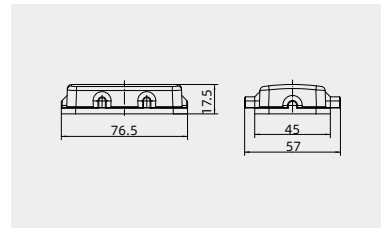
Connect way	Applications	Designation	Order No.
---	for hoods	H10B-CV-4C	111 010 090 8009



Protection covers, plastic



Connect way	Applications	Designation	Order No.
	for Housings, cable to cable	H10B-CV-4B/1	111 010 030 8001
	for Housings, bulkhead mounting / surface mounting	H10B-CV-4B/2	111 010 030 8002



HV10B Metal hoods/housings - for high voltage inserts(HVE Series)

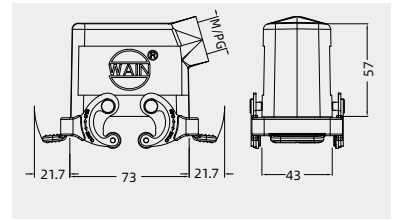
Degree of protection: IP65

Hoods, side entry



Thread	Designation	Order No.
M20	HV10B-SE-2L/SC-M20	124 010 541 1002
PG16	HV10B-SE-2L/SC-PG16	124 010 541 1010

Please refer to page 15-02 for choosing proper model of lock.

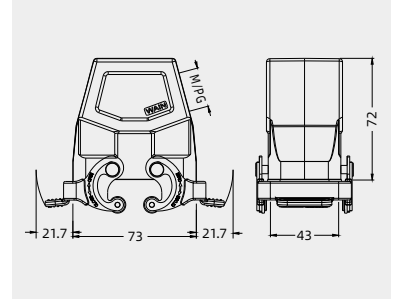


Hoods, side entry, high construction



Thread	Designation	Order No.
M25	WV10B-SEH-2L/SC-M25	124 110 541 5001
M32	WV10B-SEH-2L/SC-M32	124 110 541 5002
PG21	WV10B-SEH-2L/SC-PG21	124 110 541 5003
PG29	WV10B-SEH-2L/SC-PG29	124 110 541 5004
M25	WV10B-SEH-2L/SC-M25 WS	124 110 541 5103
M32	WV10B-SEH-2L/SC-M32 WS	124 110 541 5104
PG21	WV10B-SEH-2L/SC-PG21 WS	124 110 541 5111
PG29	WV10B-SEH-2L/SC-PG29 WS	124 110 541 5012

Please refer to page 15-02 for choosing proper model of lock.

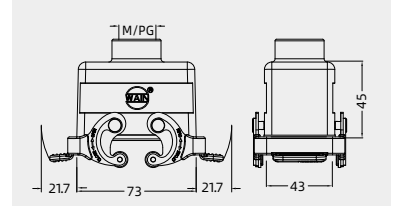


Hoods, top entry



Thread	Designation	Order No.
M20	HV10B-TE-2L/SC-M20	124 010 441 1002
PG16	HV10B-TE-2L/SC-PG16	124 010 441 1010

Please refer to page 15-02 for choosing proper model of lock.

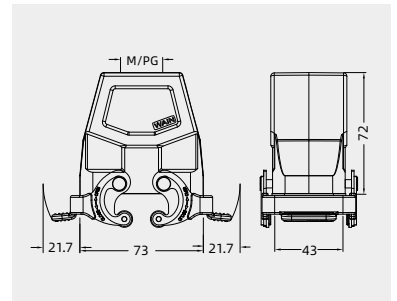


Hoods, top entry, high construction



Thread	Designation	Order No.
M25	WV10B-TEH-2L/SC-M25	111 110 441 5001
M32	WV10B-TEH-2L/SC-M32	111 110 441 5002
PG21	WV10B-TEH-2L/SC-PG21	111 110 441 5003
PG29	WV10B-TEH-2L/SC-PG29	111 110 441 5004
M25	WV10B-TEH-2L/SC-M25 WS	111 110 441 5103
M32	WV10B-TEH-2L/SC-M32 WS	111 110 441 5104
PG21	WV10B-TEH-2L/SC-PG21 WS	111 110 441 5111
PG29	WV10B-TEH-2L/SC-PG29 WS	111 110 441 5112

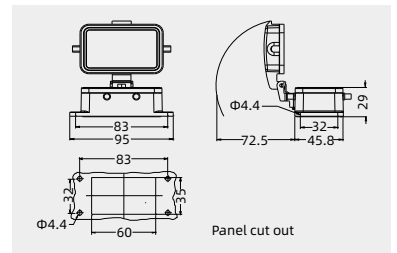
Please refer to page 15-02 for choosing proper model of lock.



Bulkhead mounted housings



Thread	Designation	Order No.
---	HV10B-BK-4B with plastic cover	124 010 330 1001
---	HV10B-BK-4B-CV with metal cover	124 010 370 1001
---	HV10B-BK-4B-MCV	124 010 370 1101



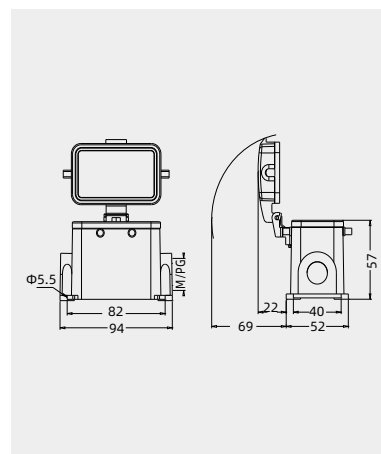
10B Metal hoods/housings
- for high voltage inserts(HVE Series)

Degree of protection: IP65

Surface mounted housings



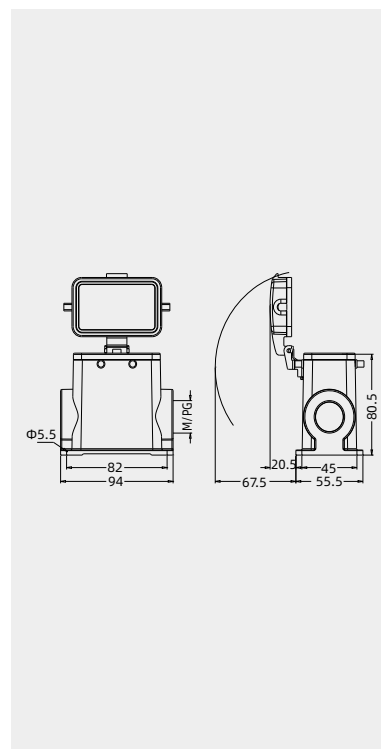
Thread	Designation	Order No.
M20	HV10B-SF-4B-M20	124 010 230 1002
2M20	HV10B-SF-4B-2M20	124 010 230 1022
PG16	HV10B-SF-4B-PG16	124 010 230 1010
2PG16	HV10B-SF-4B-2PG16	124 010 230 1030
with plastic cover		
M20	HV10B-SF-4B-CV-M20	124 010 270 1002
2M20	HV10B-SF-4B-CV-2M20	124 010 270 1022
PG16	HV10B-SF-4B-CV-PG16	124 010 270 1010
2PG16	HV10B-SF-4B-CV-2PG16	124 010 270 1030
with metal cover		
M20	HV10B-SF-4B-MCV-M20	124 010 270 1102
2M20	HV10B-SF-4B-MCV-2M20	124 010 270 1122
PG16	HV10B-SF-4B-MCV-PG16	124 010 270 1110
2PG16	HV10B-SF-4B-MCV-2PG16	124 010 270 1130



Surface mounted housings, high construction



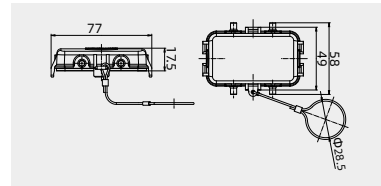
Thread	Designation	Order No.
M25	HV10B-SFH-4B-M25	124 010 230 5003
2M25	HV10B-SFH-4B-2M25	124 010 230 5023
M32	HV10B-SFH-4B-M32	124 010 230 5004
2M32	HV10B-SFH-4B-2M32	124 010 230 5024
PG21	HV10B-SFH-4B-PG21	124 010 230 5011
2PG21	HV10B-SFH-4B-2PG21	124 010 230 5031
PG29	HV10B-SFH-4B-PG29	124 010 230 5012
2PG29	HV10B-SFH-4B-2PG29	124 010 230 5032
with plastic cover		
M25	HV10B-SFH-4B-CV-M25	124 010 270 5003
2M25	HV10B-SFH-4B-CV-2M25	124 010 270 5023
M32	HV10B-SFH-4B-CV-M32	124 010 270 5004
2M32	HV10B-SFH-4B-CV-2M32	124 010 270 5024
PG21	HV10B-SFH-4B-CV-PG21	124 010 270 5011
2PG21	HV10B-SFH-4B-CV-2PG21	124 010 270 5031
PG29	HV10B-SFH-4B-CV-PG29	124 010 270 5012
2PG29	HV10B-SFH-4B-CV-2PG29	124 010 270 5032
with metal cover		
M25	HV10B-SFH-4B-MCV-M25	124 010 270 5103
2M25	HV10B-SFH-4B-MCV-2M25	124 010 270 5123
M32	HV10B-SFH-4B-MCV-M32	124 010 270 5104
2M32	HV10B-SFH-4B-MCV-2M32	124 010 270 5124
PG21	HV10B-SFH-4B-MCV-PG21	124 010 270 5111
2PG21	HV10B-SFH-4B-MCV-2PG21	124 010 270 5131
PG29	HV10B-SFH-4B-MCV-PG29	124 010 270 5112
2PG29	HV10B-SFH-4B-MCV-2PG29	124 010 270 5132



Protection covers, metal



Connect way	Applications	Designation	Order No.
	for hoods	H10B-MCV-4B/1S	111 010 030 8103
	for housings, without sealing	H10B-MCV-4B/2	111 010 030 8102

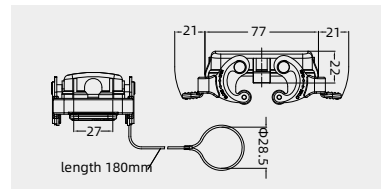


Protection covers, metal



Connect way	Applications	Designation	Order No.
	for hoods	H10B-MCV-2L/SC.1S	111 010 041 8101
	for housings,	H10B-MCV-2L/SC.2	111 010 041 8102

Please refer to page 15-02 for choosing proper model of lock.



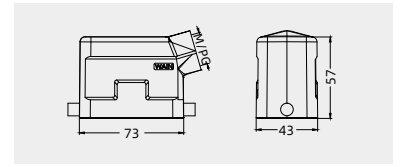
10B Metal hoods/housings - for high voltage inserts(HVE Series)

Degree of protection: IP67

Hoods, side entry



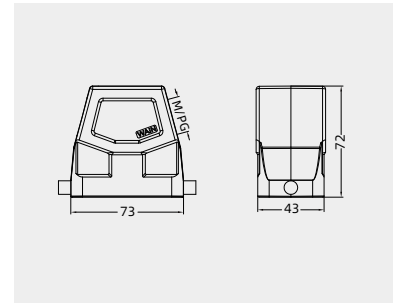
Thread	Designation	Order No.
M20	WV10B-SE-2B-M20	124 110 510 1001
PG16	WV10B-SE-2B-PG16	124 110 510 1002



Hoods, side entry, high construction



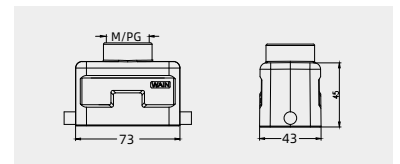
Thread	Designation	Order No.
M25	WV10B-SEH-2B-M25	124 110 510 5001
M32	WV10B-SEH-2B-M32	124 110 510 5002
PG21	WV10B-SEH-2B-PG21	124 110 510 5003
PG29	WV10B-SEH-2B-PG29	124 110 510 5004
	with sleeve	
M25	WV10B-SEH-2B-M25 WS	124 110 515 5103
M32	WV10B-SEH-2B-M32 WS	124 110 515 5104
PG21	WV10B-SEH-2B-PG21 WS	124 110 515 5111
PG29	WV10B-SEH-2B-PG29 WS	124 110 515 5112



Hoods, top entry



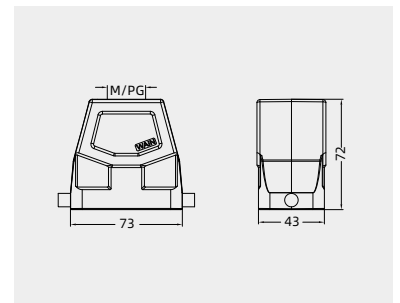
Thread	Designation	Order No.
M20	WV10B-TE-2B-M20	124 110 410 1001
PG16	WV10B-TE-2B-PG16	124 110 410 1002



Hoods, top entry, high construction



Thread	Designation	Order No.
M25	WV10B-TEH-2B-M25	124 110 410 5001
M32	WV10B-TEH-2B-M32	124 110 410 5002
PG21	WV10B-TEH-2B-PG21	124 110 410 5003
PG29	WV10B-TEH-2B-PG29	124 110 410 5004
	with sleeve	
M25	WV10B-TEH-2B-M25 WS	124 110 415 5103
M32	WV10B-TEH-2B-M32 WS	124 110 415 5104
PG21	WV10B-TEH-2B-PG21 WS	124 110 415 5111
PG29	WV10B-TEH-2B-PG29 WS	124 110 415 5112



10B Metal hoods/housings - for high voltage inserts(HVE Series)

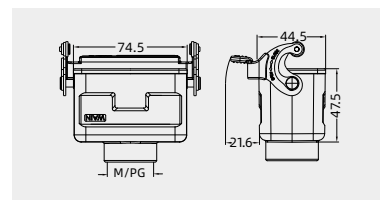
Degree of protection: IP67

Housings, cable to cable



Thread	Designation	Order No.
M20	WV10B-CCT-1L/SC-M20	124 110 721 1001
PG16	WV10B-CCT-1L/SC-PG16	124 110 721 1002

Please refer to page 15-02 for choosing proper model of lock.

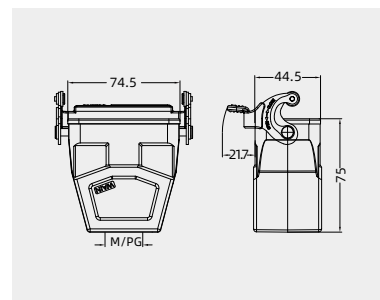


Housings, cable to cable, high construction



Thread	Designation	Order No.
M25	WV10B-CCTH-1L/SC-M25	124 110 721 5001
M32	WV10B-CCTH-1L/SC-M32	124 110 721 5002
PG21	WV10B-CCTH-1L/SC-PG21	124 110 721 5003
PG29	WV10B-CCTH-1L/SC-PG29	124 110 721 5004
	with sleeve	
M25	WV10B-CCTH-1L/SC-M25 WS	124 110 721 5103
M32	WV10B-CCTH-1L/SC-M32 WS	124 110 721 5104
PG21	WV10B-CCTH-1L/SC-PG21 WS	124 110 721 5111
PG29	WV10B-CCTH-1L/SC-PG29 WS	124 110 721 5112

Please refer to page 15-02 for choosing proper model of lock.

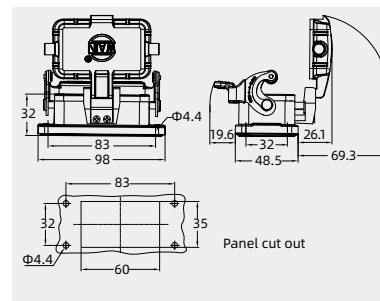


Bulkhead mounted housings



Thread	Designation	Order No.
---	WV10B-BK-1L/SC	124 110 361 1101
	with plastic cover	
---	WV10B-BK-1L/SC-CV	111 110 321 8003
	with metal cover	
---	WV10B-BK-1L/SC-MCV	111 110 321 8004

Please refer to page 15-02 for choosing proper model of lock.



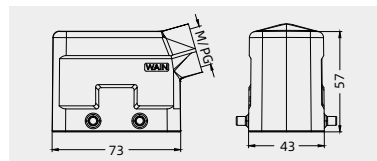
10B Metal hoods/housings - for high voltage inserts(HVE Series)

Degree of protection: IP67

Hoods, side entry



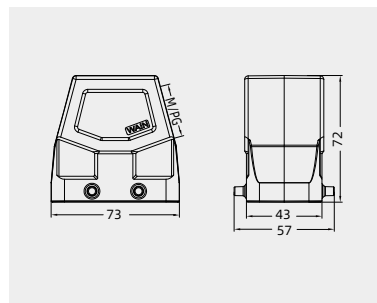
Thread	Designation	Order No.
M20	WV10B-SE-4B-M20	124 110 530 1001
PG16	WV10B-SE-4B-PG16	124 110 530 1002



Hoods, side entry, high construction



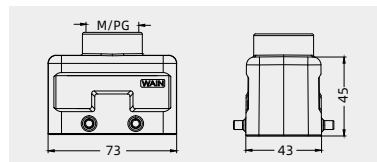
Thread	Designation	Order No.
M25	WV10B-SEH-4B-M25	124 110 530 5001
M32	WV10B-SEH-4B-M32	124 110 530 5002
PG21	WV10B-SEH-4B-PG21	124 110 530 5003
PG29	WV10B-SEH-4B-PG29	124 110 530 5004
	with sleeve	
M25	WV10B-SEH-4B-M25 WS	124 110 530 5103
M32	WV10B-SEH-4B-M32 WS	124 110 530 5104
PG21	WV10B-SEH-4B-PG21 WS	124 110 530 5111
PG29	WV10B-SEH-4B-PG29 WS	124 110 530 5112



Hoods, top entry



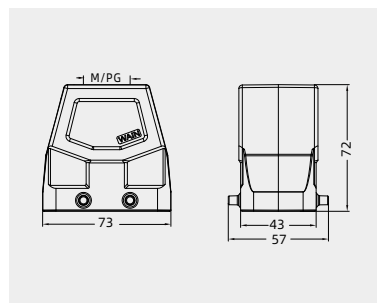
Thread	Designation	Order No.
M20	WV10B-TE-4B-M20	124 110 430 1001
PG16	WV10B-TE-4B-PG16	124 110 430 1002



Hoods, top entry, high construction



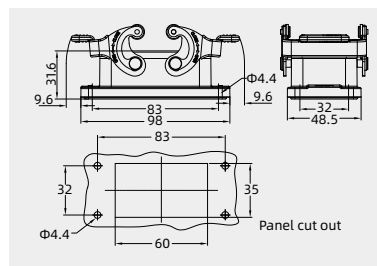
Thread	Designation	Order No.
M25	WV10B-TEH-4B-M25	124 110 430 5001
M32	WV10B-TEH-4B-M32	124 110 430 5002
PG21	WV10B-TEH-4B-PG21	124 110 430 5003
PG29	WV10B-TEH-4B-PG29	124 110 430 5004
	with sleeve	
M25	WV10B-TEH-4B-M25 WS	124 110 430 5103
M32	WV10B-TEH-4B-M32 WS	124 110 430 5104
PG21	WV10B-TEH-4B-PG21 WS	124 110 430 5111
PG29	WV10B-TEH-4B-PG29 WS	124 110 430 5112



Bulkhead mounted housings



Thread	Designation	Order No.
---	WV10B-BK-2L/SC	124 110 341 1101



Please refer to page 15-02 for choosing proper model of lock.

10B Metal hoods/housings
- for high voltage inserts(HVE Series)

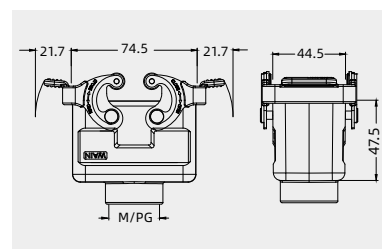
Degree of protection: IP67

Housings, cable to cable



Thread	Designation	Order No.
M20	WV10B-CCT-2L/SC-M20	124 110 741 1001
PG16	WV10B-CCT-2L/SC-PG16	124 110 741 1002

Please refer to page 15-02 for choosing proper model of lock.

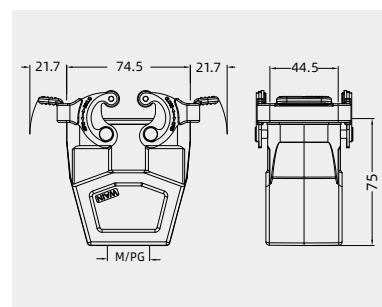


Housings, cable to cable, high construction



Thread	Designation	Order No.
M25	WV10B-CCTH-2L/SC-M25	124 110 741 5001
M32	WV10B-CCTH-2L/SC-M32	124 110 741 5002
PG21	WV10B-CCTH-2L/SC-PG21	124 110 741 5003
PG29	WV10B-CCTH-2L/SC-PG29 with sleeve	124 110 741 5004
M25	WV10B-CCTH-2L/SC-M25 WS	124 110 741 5103
M32	WV10B-CCTH-2L/SC-M32 WS	124 110 741 5104
PG21	WV10B-CCTH-2L/SC-PG21 WS	124 110 741 5111
PG29	WV10B-CCTH-2L/SC-PG29 WS	124 110 741 5112

Please refer to page 15-02 for choosing proper model of lock.



10B Metal hoods/housings - for high voltage inserts(HVE Series)

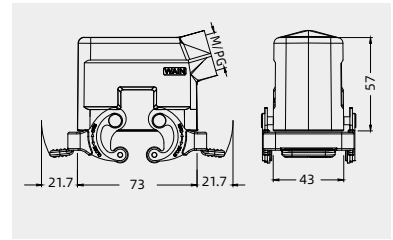
Degree of protection: IP67

Hoods, side entry



Thread	Designation	Order No.
M20	WV10B-SE-2L/SC-M20	124 110 541 1001
PG16	WV10B-SE-2L/SC-PG16	124 110 541 1002

Please refer to page 15-02 for choosing proper model of lock.

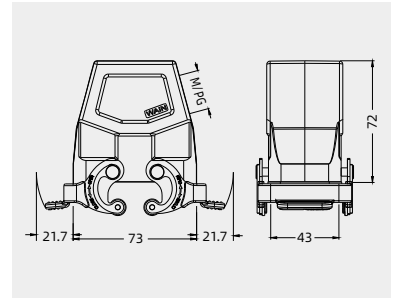


Hoods, side entry, high construction



Thread	Designation	Order No.
M25	WV10B-SEH-2L/SC-M25	124 110 541 5001
M32	WV10B-SEH-2L/SC-M32	124 110 541 5002
PG21	WV10B-SEH-2L/SC-PG21	124 110 541 5003
PG29	WV10B-SEH-2L/SC-PG29	124 110 541 5004
	with sleeve	
M25	WV10B-SEH-2L/SC-M25 WS	124 110 541 5103
M32	WV10B-SEH-2L/SC-M32 WS	124 110 541 5104
PG21	WV10B-SEH-2L/SC-PG21 WS	124 110 541 5111
PG29	WV10B-SEH-2L/SC-PG29 WS	124 110 541 5012

Please refer to page 15-02 for choosing proper model of lock.

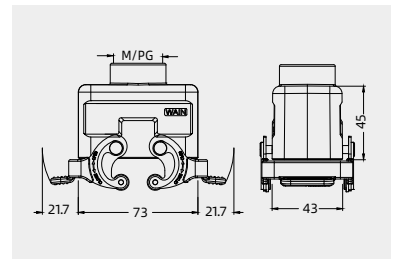


Hoods, top entry



Thread	Designation	Order No.
M20	WV10B-TE-2L/SC-M20	124 110 441 1001
PG16	WV10B-TE-2L/SC-PG16	124 110 441 1002

Please refer to page 15-02 for choosing proper model of lock.

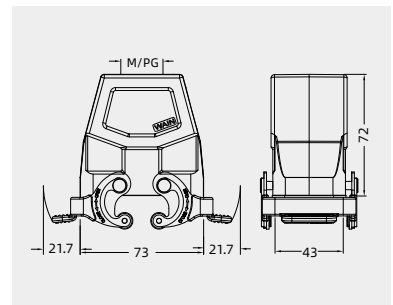


Hoods, top entry, high construction



Thread	Designation	Order No.
M25	WV10B-TEH-2L/SC-M25	124 110 441 5001
M32	WV10B-TEH-2L/SC-M32	124 110 441 5002
PG21	WV10B-TEH-2L/SC-PG21	124 110 441 5003
PG29	WV10B-TEH-2L/SC-PG29	124 110 441 5004
	with sleeve	
M25	WV10B-TEH-2L/SC-M25 WS	124 110 441 5103
M32	WV10B-TEH-2L/SC-M32 WS	124 110 441 5104
PG21	WV10B-TEH-2L/SC-PG21 WS	124 110 441 5111
PG29	WV10B-TEH-2L/SC-PG29 WS	124 110 441 5112

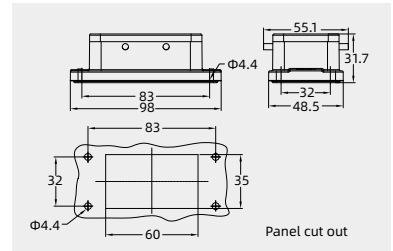
Please refer to page 15-02 for choosing proper model of lock.



Bulkhead mounted housings



Thread	Designation	Order No.
---	WV10B-BK-4B	124 110 330 1101



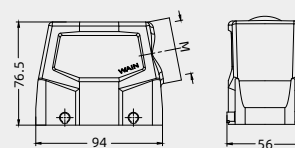
16B Plastic hoods/housings

Degree of protection: IP65

Hoods, side entry, high construction



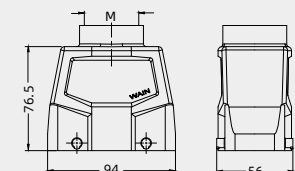
Thread	Designation	Order No.
M32	H16B.P-SEH-4B-M32	117 016 530 5004
M40	H16B.P-SEH-4B-M40	117 016 530 5005



Hoods, top entry, high construction



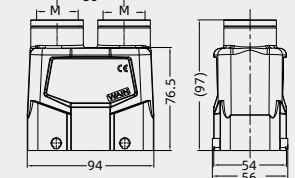
Thread	Designation	Order No.
M32	H16B.P-TEH-4B-M32	117 016 430 5004
M40	H16B.P-TEH-4B-M40	117 016 430 5005



Hoods, top entry, high construction



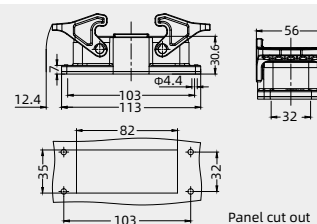
Thread	Designation	Order No.
2M25	H16B.P-TEH-4B-2M25	117 016 430 5002
2M32	H16B.P-TEH-4B-2M32	117 016 430 5001



Bulkhead mounted housings



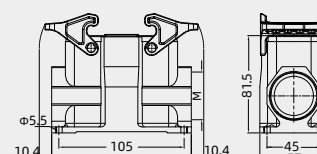
Thread	Designation	Order No.
---	H16B.P-BK-2L	117 016 347 1001



Surface mounted housings, high construction



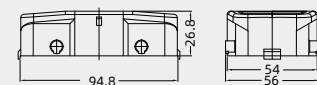
Thread	Designation	Order No.
M32	H16B.P-SFH-2L-M32	117 016 247 5004
2M32	H16B.P-SFH-2L-2M32	117 016 247 5024
M40	H16B.P-SFH-2L-M40	117 016 247 5005
2M40	H16B.P-SFH-2L-2M40	117 016 247 5025



Protection covers, for housings



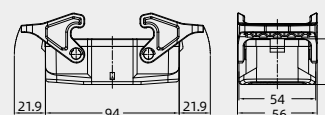
Connect way	Designation	Order No.
---	H16B.P-CV-4B/2	117 016 030 8002



Protection covers, for hoods



Connect way	Designation	Order No.
---	H16B.P-CV-2L/1	117 016 047 8001



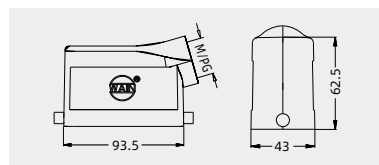
16B Metal hoods/housings

Degree of protection: IP65

Hoods, side entry



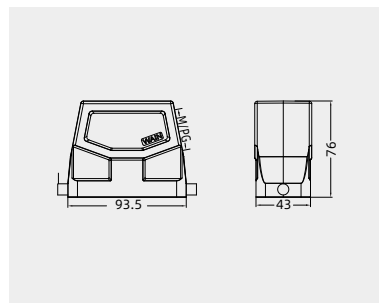
Thread	Designation	Order No.
M25	H16B-SE-2B-M25	111 016 515 1003
M32	H16B-SE-2B-M32	111 016 515 1004
PG21	H16B-SE-2B-PG21	111 016 515 1011



Hoods, side entry, high construction



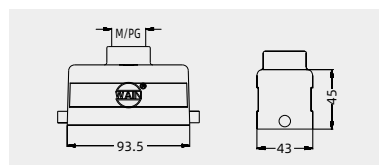
Thread	Designation	Order No.
---	W16B-BEH-2B	111 116 910 5002
M32	W16B-SEH-2B-M32	111 116 510 5001
M40	W16B-SEH-2B-M40	111 116 510 5002
PG21	W16B-SEH-2B-PG21	111 116 510 5003
PG29	W16B-SEH-2B-PG29	111 116 510 5004
	with sleeve	
M32	W16B-SEH-2B-M32 <i>WS</i>	111 116 515 5013
PG21	W16B-SEH-2B-PG21 <i>WS</i>	111 116 515 5011
PG29	W16B-SEH-2B-PG29 <i>WS</i>	111 116 515 5012



Hoods, top entry



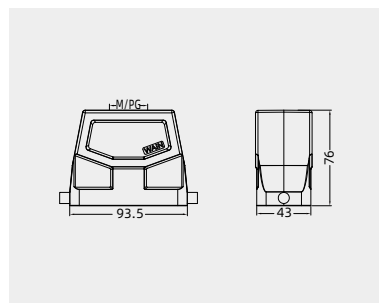
Thread	Designation	Order No.
M25	H16B-TE-2B-M25	111 016 415 1003
M32	H16B-TE-2B-M32	111 016 415 1004
PG21	H16B-TE-2B-PG21	111 016 415 1011



Hoods, top entry, high construction



Thread	Designation	Order No.
---	W16B-BEH-2B	111 116 910 5002
M32	W16B-TEH-2B-M32	111 116 410 5001
M40	W16B-TEH-2B-M40	111 116 410 5002
PG21	W16B-TEH-2B-PG21	111 116 410 5003
PG29	W16B-TEH-2B-PG29	111 116 410 5004
	with sleeve	
M32	W16B-TEH-2B-M32 <i>WS</i>	111 116 415 5004
PG21	W16B-TEH-2B-PG21 <i>WS</i>	111 116 415 5011
PG29	W16B-TEH-2B-PG29 <i>WS</i>	111 116 415 5012



16B Metal hoods/housings

Degree of protection: IP65

Housings, cable to cable



Thread	Designation	Order No.
M25	H16B-CCT-1L/SC-M25	111 016 721 1003
M32	H16B-CCT-1L/SC-M32	111 016 721 1004
PG21	H16B-CCT-1L/SC-PG21	111 016 721 1011

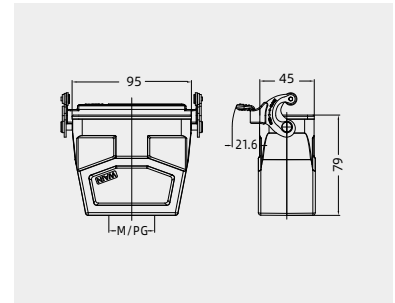
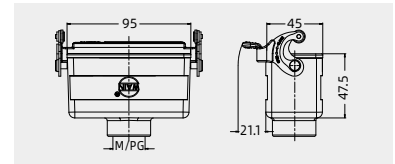
Please refer to page 15-02 for choosing proper model of lock.

Housings, cable to cable, high construction



Thread	Designation	Order No.
M32	W16B-CCTH-1L/SC-M32	111 116 721 5001
M40	W16B-CCTH-1L/SC-M40	111 116 721 5002
PG21	W16B-CCTH-1L/SC-PG21	111 116 721 5003
PG29	W16B-CCTH-1L/SC-PG29 with sleeve	111 116 721 5004
M32	W16B-CCTH-1L/SC-M32 WS	111 116 721 5008
PG21	W16B-CCTH-1L/SC-PG21 WS	111 116 721 5011
PG29	W16B-CCTH-1L/SC-PG29 WS	111 116 721 5012

Please refer to page 15-02 for choosing proper model of lock.



16B Metal hoods/housings

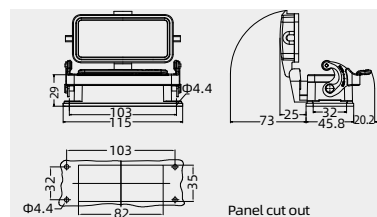
Degree of protection: IP65

Bulkhead mounted housings



Thread	Designation	Order No.
---	H16B-BK-1L/SC with plastic cover	111 016 321 1001
---	H16B-BK-1L/SC-CV with metal cover	111 016 361 1001
---	H16B-BK-1L/SC-MCV	111 016 361 1101

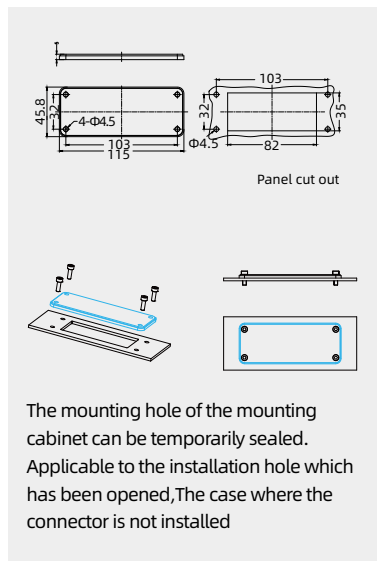
Please refer to page 15-02 for choosing proper model of lock.



BK hole cover plate

Applications	Designation	Order No.
---	16B-BK/MCV	111 016 300 1506

H



16B Metal hoods/housings

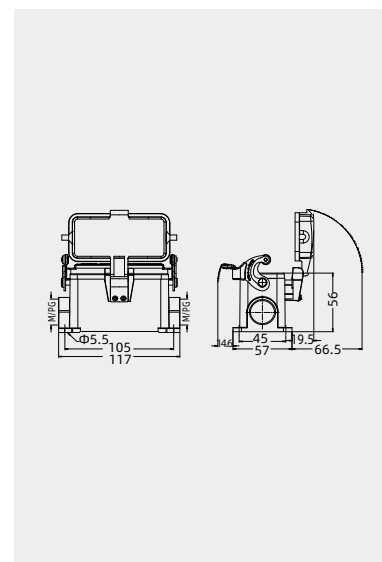
Degree of protection: IP65

Surface mounted housings



Thread	Designation	Order No.
M25	H16B-SF-1L/SC-M25	111 016 221 1003
2M25	H16B-SF-1L/SC-2M25	111 016 221 1023
PG21	H16B-SF-1L/SC-PG21	111 016 221 1011
2PG21	H16B-SF-1L/SC-2PG21	111 016 221 1031
with plastic cover		
M25	H16B-SF-1L/SC-CV-M25	111 016 261 1003
2M25	H16B-SF-1L/SC-CV-2M25	111 016 261 1023
PG21	H16B-SF-1L/SC-CV-PG21	111 016 261 1011
2PG21	H16B-SF-1L/SC-CV-2PG21	111 016 261 1031
with metal cover		
M25	H16B-SF-1L/SC-MCV-M25	111 016 261 1103
2M25	H16B-SF-1L/SC-MCV-2M25	111 016 261 1123
PG21	H16B-SF-1L/SC-MCV-PG21	111 016 261 1111
2PG21	H16B-SF-1L/SC-MCV-2PG21	111 016 261 1131

Please refer to page 15-02 for choosing proper model of lock.

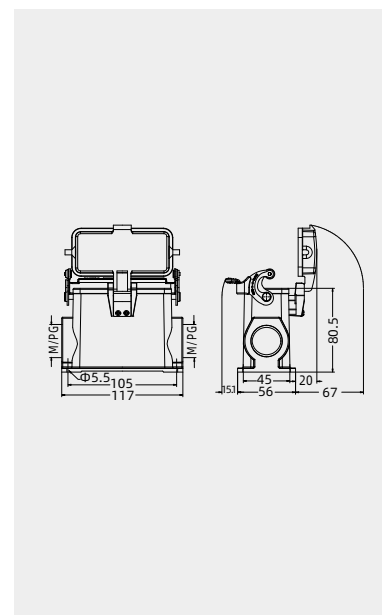


Surface mounted housings, high construction



Thread	Designation	Order No.
M32	H16B-SFH-1L/SC-M32	111 016 221 5004
2M32	H16B-SFH-1L/SC-2M32	111 016 221 5024
PG21	H16B-SFH-1L/SC-PG21	111 016 221 5011
2PG21	H16B-SFH-1L/SC-2PG21	111 016 221 5031
PG29	H16B-SFH-1L/SC-PG29	111 016 221 5012
2PG29	H16B-SFH-1L/SC-2PG29	111 016 221 5032
with plastic cover		
M32	H16B-SFH-1L/SC-CV-M32	111 016 261 5004
2M32	H16B-SFH-1L/SC-CV-2M32	111 016 261 5024
PG21	H16B-SFH-1L/SC-CV-PG21	111 016 261 5011
2PG21	H16B-SFH-1L/SC-CV-2PG21	111 016 261 5031
PG29	H16B-SFH-1L/SC-CV-PG29	111 016 261 5012
2PG29	H16B-SFH-1L/SC-CV-2PG29	111 016 261 5032
with metal cover		
M32	H16B-SFH-1L/SC-MCV-M32	111 016 261 5104
2M32	H16B-SFH-1L/SC-MCV-2M32	111 016 261 5124
PG21	H16B-SFH-1L/SC-MCV-PG21	111 016 261 5111
2PG21	H16B-SFH-1L/SC-MCV-2PG21	111 016 261 5131
PG29	H16B-SFH-1L/SC-MCV-PG29	111 016 261 5112
2PG29	H16B-SFH-1L/SC-MCV-2PG29	111 016 261 5132

Please refer to page 15-02 for choosing proper model of lock.



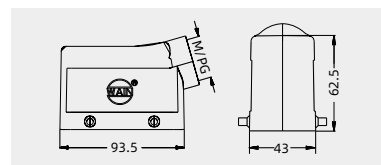
16B Metal hoods/housings

Degree of protection: IP65

Hoods, side entry



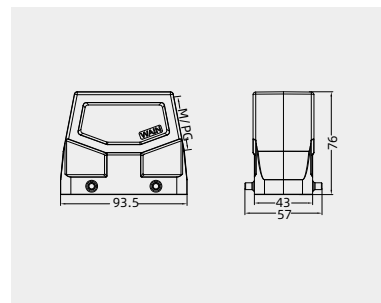
Thread	Designation	Order No.
M25	H16B-SE-4B-M25	111 016 530 1003
M32	H16B-SE-4B-M32	111 016 530 1004
PG21	H16B-SE-4B-PG21	111 016 530 1011



Hoods, side entry, high construction



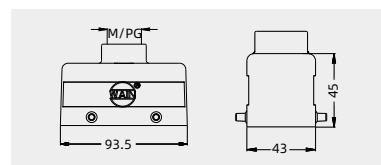
Thread	Designation	Order No.
---	W16B-BEH-4B	111 116 930 5003
M32	W16B-SEH-4B-M32	111 116 530 5001
M40	W16B-SEH-4B-M40	111 116 530 5002
PG21	W16B-SEH-4B-PG21	111 116 530 5003
PG29	W16B-SEH-4B-PG29	111 116 530 5004
	with sleeve	
M32	W16B-SEH-4B-M32 <i>WS</i>	111 116 530 5014
PG21	W16B-SEH-4B-PG21 <i>WS</i>	111 116 530 5011
PG29	W16B-SEH-4B-PG29 <i>WS</i>	111 116 530 5012



Hoods, top entry



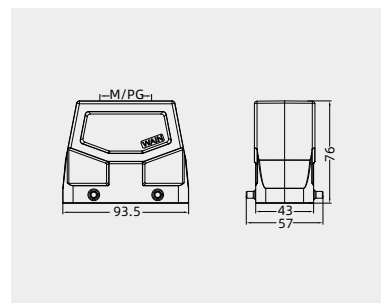
Thread	Designation	Order No.
M25	H16B-TE-4B-M25	111 016 430 1003
M32	H16B-TE-4B-M32	111 016 430 1004
PG21	H16B-TE-4B-PG21	111 016 430 1011



Hoods, top entry, high construction



Thread	Designation	Order No.
---	W16B-BEH-4B	111 116 930 5003
M32	W16B-TEH-4B-M32	111 116 430 5001
M40	W16B-TEH-4B-M40	111 116 430 5002
PG21	W16B-TEH-4B-PG21	111 116 430 5003
PG29	W16B-TEH-4B-PG29	111 116 430 5004
	with sleeve	
M32	W16B-TEH-4B-M32 <i>WS</i>	111 116 430 5022
PG21	W16B-TEH-4B-PG21 <i>WS</i>	111 116 430 5020
PG29	W16B-TEH-4B-PG29 <i>WS</i>	111 116 430 5021



16B Metal hoods/housings

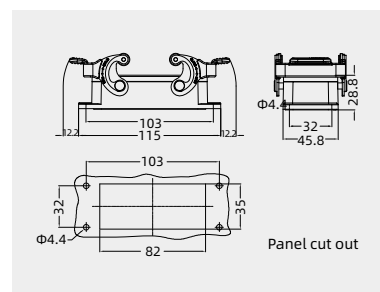
Degree of protection: IP65

Bulkhead mounted housings



Thread	Designation	Order No.
---	H16B-BK-2L/SC	111 016 341 1001

Please refer to page 15-02 for choosing proper model of lock.

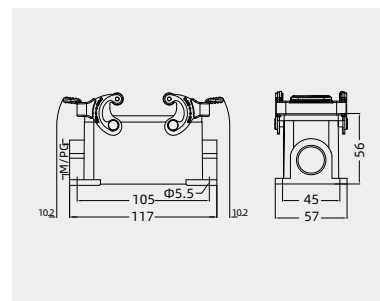


Surface mounted housings



Thread	Designation	Order No.
M25	H16B-SF-2L/SC-M25	111 016 241 1003
2M25	H16B-SF-2L/SC-2M25	111 016 241 1023
PG21	H16B-SF-2L/SC-PG21	111 016 241 1011
2PG21	H16B-SF-2L/SC-2PG21	111 016 241 1031

Please refer to page 15-02 for choosing proper model of lock.

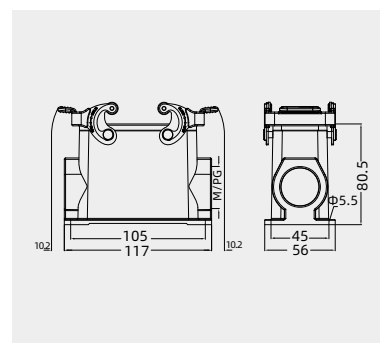


Surface mounted housings, high construction



Thread	Designation	Order No.
M25	H16B-SFH-2L/SC-M25	111 016 241 5003
M32	H16B-SFH-2L/SC-M32	111 016 241 5004
2M32	H16B-SFH-2L/SC-2M32	111 016 241 5024
M40	H16B-SFH-2L/SC-M40	111 016 241 5005
2M40	H16B-SFH-2L/SC-2M40	111 016 241 5025
PG21	H16B-SFH-2L/SC-PG21	111 016 241 5011
2PG21	H16B-SFH-2L/SC-2PG21	111 016 241 5031
PG29	H16B-SFH-2L/SC-PG29	111 016 241 5012
2PG29	H16B-SFH-2L/SC-2PG29	111 016 241 5032

Please refer to page 15-02 for choosing proper model of lock.

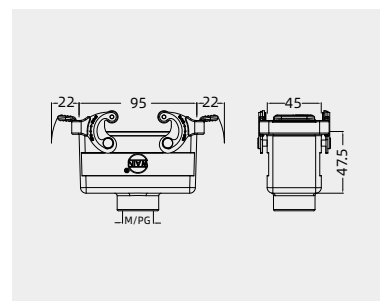


Housings, cable to cable



Thread	Designation	Order No.
M25	H16B-CCT-2L/SC-M25	111 016 741 1003
M32	H16B-CCT-2L/SC-M32	111 016 741 1004
PG21	H16B-CCT-2L/SC-PG21	111 016 741 1011

Please refer to page 15-02 for choosing proper model of lock.



16B Metal hoods/housings

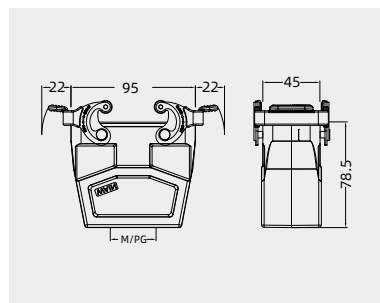
Degree of protection: IP65

Housings, cable to cable, high construction



Thread	Designation	Order No.
M25	W16B-CCTH-2L/SC-M25	111 116 741 5002
M32	W16B-CCTH-2L/SC-M32	111 116 741 5003
M40	W16B-CCTH-2L/SC-M40	111 116 741 5004
PG21	W16B-CCTH-2L/SC-PG21	111 116 741 5005
PG29	W16B-CCTH-2L/SC-PG29	111 116 741 5006
	with sleeve	
M32	W16B-CCTH-2L/SC-M32 WS	111 116 741 5013
PG21	W16B-CCTH-2L/SC-PG21 WS	111 116 741 5011
PG29	W16B-CCTH-2L/SC-PG29 WS	111 116 741 5012

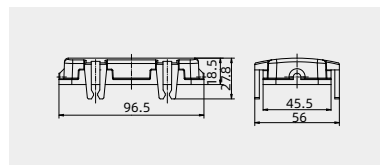
Please refer to page 15-02 for choosing proper model of lock.



Protection covers, plastic



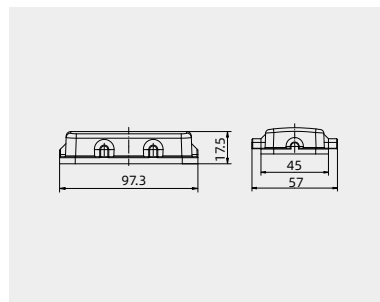
Thread	Applications	Designation	Order No.
---	for hoods	H16B-CV-4C	111 016 090 8009



Protection covers, plastic



Connect way	Applications	Designation	Order No.
	for Housings, cable to cable	H16B-CV-4B/1	111 016 030 8001
	for Housings, bulkhead mounting /surface mounting	H16B-CV-4B/2	111 016 030 8002



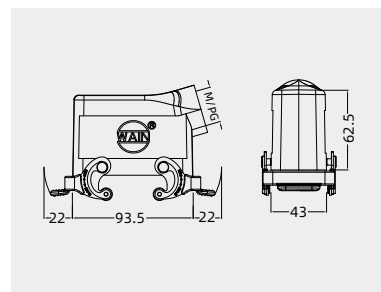
16B Metal hoods/housings

Degree of protection: IP65

Hoods, side entry



Thread	Designation	Order No.
M25	H16B-SE-2L/SC-M25	111 016 541 1003
M32	H16B-SE-2L/SC-M32	111 016 541 1004
PG21	H16B-SE-2L/SC-PG21	111 016 541 1011

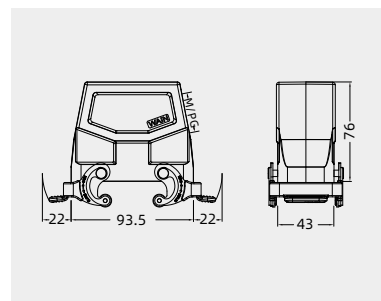


Please refer to page 15-02 for choosing proper model of lock.

Hoods, side entry, high construction



Thread	Designation	Order No.
M32	W16B-SEH-2L/SC-M32	111 116 541 5001
M40	W16B-SEH-2L/SC-M40	111 116 541 5002
PG21	W16B-SEH-2L/SC-PG21	111 116 541 5003
PG29	W16B-SEH-2L/SC-PG29	111 116 541 5004
	with sleeve	
M32	W16B-SEH-2L/SC-M32 WS	111 116 541 5005
PG21	W16B-SEH-2L/SC-PG21 WS	111 116 541 5011
PG29	W16B-SEH-2L/SC-PG29 WS	111 116 541 5006

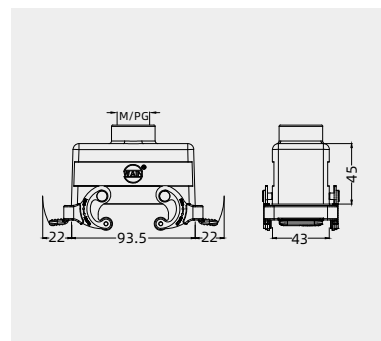


Please refer to page 15-02 for choosing proper model of lock.

Hoods, top entry



Thread	Designation	Order No.
M25	H16B-TE-2L/SC-M25	111 016 441 1003
M32	H16B-TE-2L/SC-M32	111 016 441 1004
PG21	H16B-TE-2L/SC-PG21	111 016 441 1011

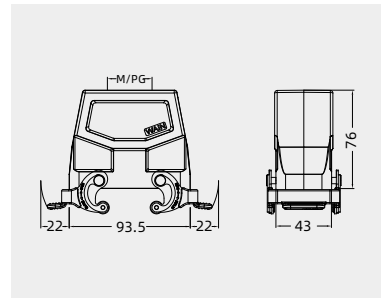


Please refer to page 15-02 for choosing proper model of lock.

Hoods, top entry, high construction



Thread	Designation	Order No.
M32	W16B-TEH-2L/SC-M32	111 116 441 5001
M40	W16B-TEH-2L/SC-M40	111 116 441 5002
PG21	W16B-TEH-2L/SC-PG21	111 116 441 5003
PG29	W16B-TEH-2L/SC-PG29	111 116 441 5004
	with sleeve	
M32	W16B-TEH-2L/SC-M32 WS	111 116 441 5009
PG21	W16B-TEH-2L/SC-PG21 WS	111 116 441 5011
PG29	W16B-TEH-2L/SC-PG29 WS	111 116 441 5012

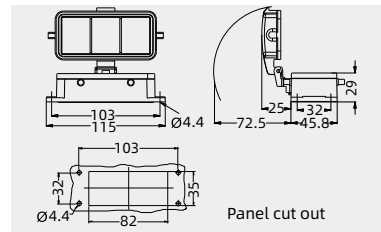


Please refer to page 15-02 for choosing proper model of lock.

Bulkhead mounted housings



Thread	Designation	Order No.
---	H16B-BK-4B	111 016 330 1001
	with plastic cover	
---	H16B-BK-4B-CV	111 016 370 1001
	with metal cover	
---	H16B-BK-4B-MCV	111 016 370 1101



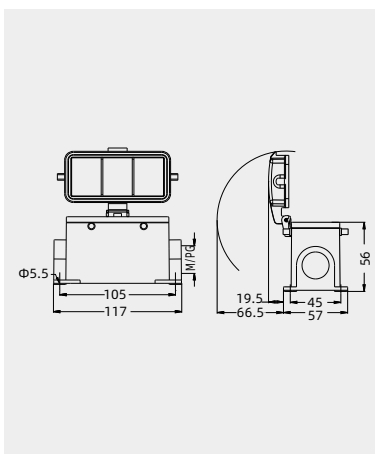
16B Metal hoods/housings

Degree of protection: IP65

Surface mounted housings



Thread	Designation	Order No.
M25	H16B-SF-4B-M25	111 016 230 1003
2M25	H16B-SF-4B-2M25	111 016 230 1023
PG21	H16B-SF-4B-PG21	111 016 230 1011
2PG21	H16B-SF-4B-2PG21	111 016 230 1031
with plastic cover		
M25	H16B-SF-4B-CV-M25	111 016 270 1003
2M25	H16B-SF-4B-CV-2M25	111 016 270 1023
PG21	H16B-SF-4B-CV-PG21	111 016 270 1011
2PG21	H16B-SF-4B-CV-2PG21	111 016 270 1031
with metal cover		
M25	H16B-SF-4B-MCV-M25	111 016 270 1103
2M25	H16B-SF-4B-MCV-2M25	111 016 270 1123
PG21	H16B-SF-4B-MCV-PG21	111 016 270 1111
2PG21	H16B-SF-4B-MCV-2PG21	111 016 270 1131

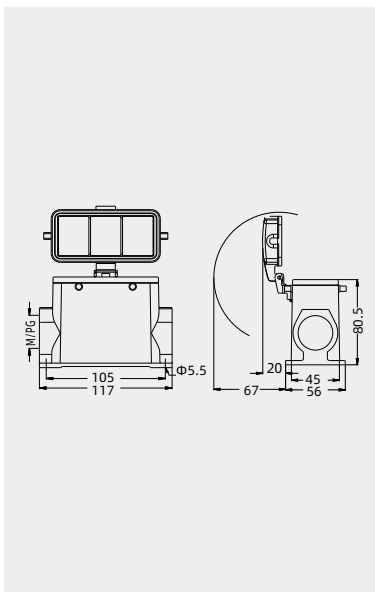


H

Surface mounted housings, high construction



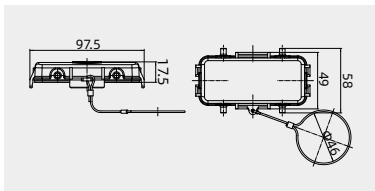
Thread	Designation	Order No.
M32	H16B-SFH-4B-M32	111 016 230 5004
2M32	H16B-SFH-4B-2M32	111 016 230 5024
PG21	H16B-SFH-4B-PG21	111 016 230 5011
2PG21	H16B-SFH-4B-2PG21	111 016 230 5031
PG29	H16B-SFH-4B-PG29	111 016 230 5012
2PG29	H16B-SFH-4B-2PG29	111 016 230 5032
with plastic cover		
M32	H16B-SFH-4B-CV-M32	111 016 270 5004
2M32	H16B-SFH-4B-CV-2M32	111 016 270 5024
PG21	H16B-SFH-4B-CV-PG21	111 016 270 5011
2PG21	H16B-SFH-4B-CV-2PG21	111 016 270 5031
PG29	H16B-SFH-4B-CV-PG29	111 016 270 5012
2PG29	H16B-SFH-4B-CV-2PG29	111 016 270 5032
with metal cover		
M32	H16B-SFH-4B-MCV-M32	111 016 270 5104
2M32	H16B-SFH-4B-MCV-2M32	111 016 270 5124
PG21	H16B-SFH-4B-MCV-PG21	111 016 270 5111
2PG21	H16B-SFH-4B-MCV-2PG21	111 016 270 5131
PG29	H16B-SFH-4B-MCV-PG29	111 016 270 5112
2PG29	H16B-SFH-4B-MCV-2PG29	111 016 270 5132



Protection covers, metal



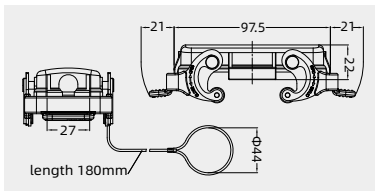
Connect way	Applications	Designation	Order No.
	for hoods	H16B-MCV-4B/1S	111 016 030 8103
	for housings, without sealing	H16B-MCV-4B/2	111 016 030 8102



Protection covers, metal



Connect way	Applications	Designation	Order No.
	for hoods	H16B-MCV-2L/SC.1S	111 016 041 8101
	for housings,	H16B-MCV-2L/SC.2	111 016 041 8102



Please refer to page 15-02 for choosing proper model of lock.

16B Metal hoods/housings

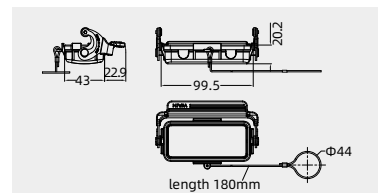
Degree of protection: IP65

Protection covers, metal



Connect way	Applications	Designation	Order No.
	for hoods	H16B-MCV-1L/SC.1S	111 016 021 8001

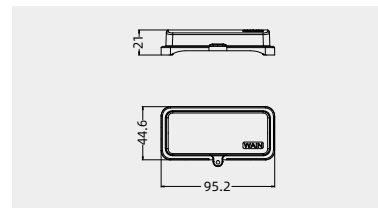
Please refer to page 15-02 for choosing proper model of lock.



Protection covers(IP5X)



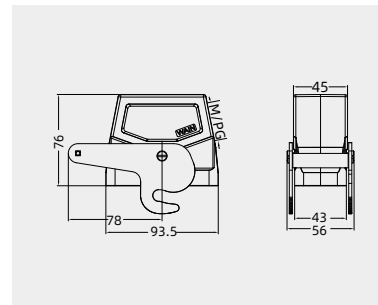
Thread	Applications	Designation	Order No.
---	for housings	16B-CV/C	111 016 000 8002



Hoods, side entry, high construction



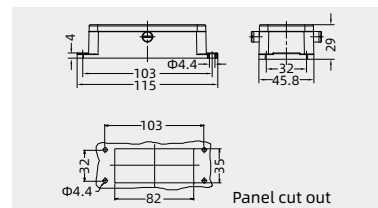
Thread	Designation	Order No.
M25	W16B-SEH-1L/C-M25	111 116 550 5001
M32	W16B-SEH-1L/C-M32	111 116 550 5002
PG21	W16B-SEH-1L/C-PG21	111 116 550 5003
PG29	W16B-SEH-1L/C-PG29	111 116 550 5004
	with sleeve	
M32	W16B-SEH-1L/C-M32 <i>WS</i>	111 116 555 5004
PG21	W16B-SEH-1L/C-PG21 <i>WS</i>	111 116 555 5001
PG29	W16B-SEH-1L/C-PG29 <i>WS</i>	111 116 555 5002



Bulkhead mounted housings



Thread	Designation	Order No.
---	H16B-BK-2B/C	111 016 355 1001



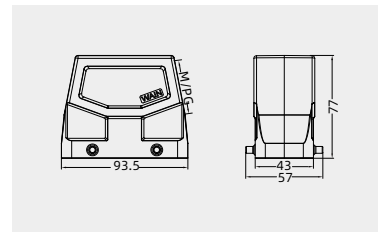
stainless steel hoods/housings

Degree of protection: IP67

Hoods, side entry, high construction



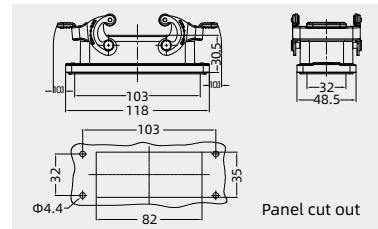
Thread	Designation	Order No.
PG29	W16B.S-SEH-4B-PG29	111 116 530 5528



Bulkhead mounted housings



Thread	Designation	Order No.
---	W16B.S-BK-2L/SCN	111 116 341 1006



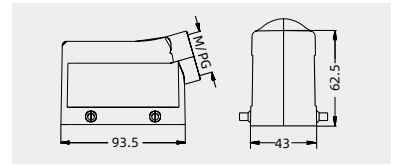
16B Metal hoods/housings -Suitable for harsh environment(anti-corrosion)

Degree of protection: IP65

Hoods, side entry



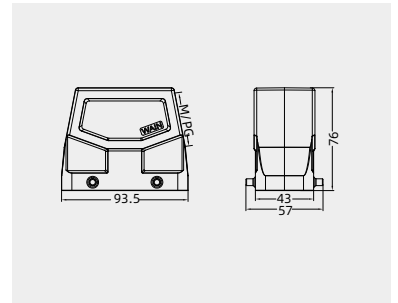
Thread	Designation	Order No.
M25	H16B-MSE-4B-M25	112 016 530 1003
M32	H16B-MSE-4B-M32	112 016 530 1004
PG21	H16B-MSE-4B-PG21	112 016 530 1011



Hoods, side entry, high construction



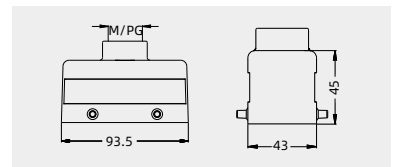
Thread	Designation	Order No.
M32	W16B-MSEH-4B-M32	112 116 530 5005
M40	W16B-MSEH-4B-M40	112 116 530 5006
PG21	W16B-MSEH-4B-PG21	112 116 530 5011
PG29	W16B-MSEH-4B-PG29 with sleeve	112 116 530 5007
M32	W16B-MSEH-4B-M32 WS	112 116 530 5004
PG21	W16B-MSEH-4B-PG21 WS	112 116 530 5001
PG29	W16B-MSEH-4B-PG29 WS	112 116 530 5012



Hoods, top entry



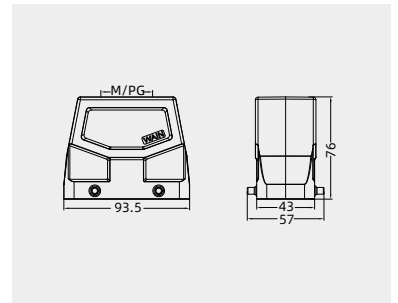
Thread	Designation	Order No.
M25	H16B-MTE-4B-M25	112 016 430 1003
M32	H16B-MTE-4B-M32	112 016 430 1004
PG21	H16B-MTE-4B-PG21	112 016 430 1011



Hoods, top entry, high construction



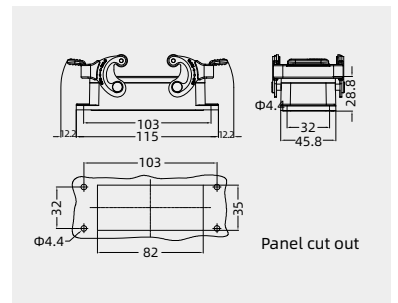
Thread	Designation	Order No.
M32	W16B-MTEH-4B-M32	112 116 430 5005
M40	W16B-MTEH-4B-M40	112 116 530 5006
PG21	W16B-MTEH-4B-PG21	112 116 530 5011
PG29	W16B-MTEH-4B-PG29 with sleeve	112 116 430 5006
M32	W16B-MTEH-4B-M32 WS	112 116 430 5007
PG21	W16B-MTEH-4B-PG21 WS	112 116 430 5008
PG29	W16B-MTEH-4B-PG29 WS	112 116 430 5012



Bulkhead mounted housings



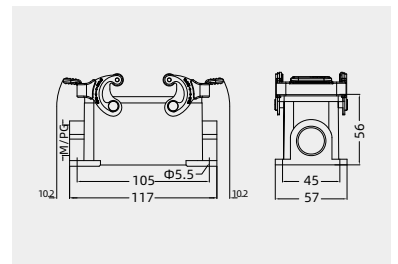
Thread	Designation	Order No.
---	H16B-MBK-2L/SC	112 016 341 1001



Surface mounted housings



Thread	Designation	Order No.
M25	H16B-MSF-2L/SC-M25	112 016 241 1003
2M25	H16B-MSF-2L/SC-2M25	112 016 241 1023
PG21	H16B-MSF-2L/SC-PG21	112 016 241 1011



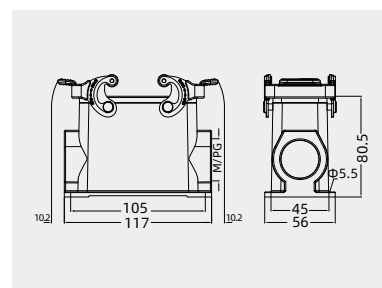
16B Metal hoods/housings -Suitable for harsh environment(anti-corrosion)

Degree of protection: IP65

Surface mounted housings, high construction



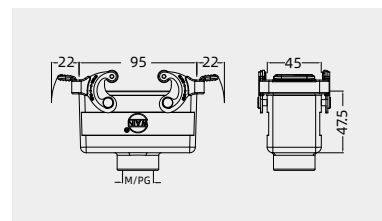
Thread	Designation	Order No.
M32	H16B-MSFH-2L/SC-M32	112 016 241 5004
2M32	H16B-MSFH-2L/SC-2M32	112 016 241 5024
M40	H16B-MSFH-2L/SC-M40	112 016 241 5005
2M40	H16B-MSFH-2L/SC-2M40	112 016 241 5025
PG21	H16B-MSFH-2L/SC-PG21	112 016 241 5011
2PG21	H16B-MSFH-2L/SC-2PG21	112 016 241 5031
PG29	H16B-MSFH-2L/SC-PG29	112 016 241 5012
2PG29	H16B-MSFH-2L/SC-2PG29	112 016 241 5032



Housings, cable to cable



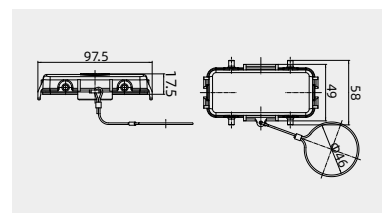
Thread	Designation	Order No.
M25	H16B-MCCT-2L/SC-M25	112 016 741 1003
M32	H16B-MCCT-2L/SC-M32	112 010 741 1004
PG21	H16B-MCCT-2L/SC-PG21	112 016 741 1011



Protection covers



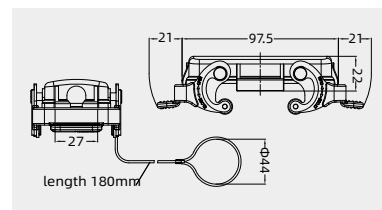
Connect way	Applications	Designation	Order No.
	for hoods	H16B-MMCV-4B/1	112 016 030 8001
	for housings	H16B-MMCV-4B/2	112 016 030 8002



Protection covers



Connect way	Applications	Designation	Order No.
	for hoods	H16B-MMCV-2L/SC.1S	112 016 041 8001
	for housings	H16B-MMCV-2L/SC.2	112 016 041 8002

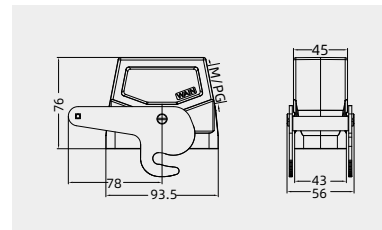


Degree of protection: IP65

Hoods, side entry, high construction



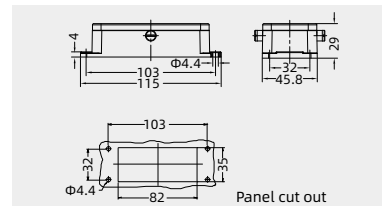
Thread	Designation	Order No.
M32	W16B-MSEH-1L/C-M32	112 116 550 5005
PG21	W16B-MSEH-1L/C-PG21	112 116 550 5006
PG29	W16B-MSEH-1L/C-PG29	112 116 550 5007
	with sleeve	
M32	W16B-MSEH-1L/C-M32 WS	112 116 555 5004
PG21	W16B-MSEH-1L/C-PG21 WS	112 116 555 5011
PG29	W16B-MSEH-1L/C-PG29 WS	112 116 555 5012



Bulkhead mounted housings



Thread	Designation	Order No.
---	H16B-MBK-2B/C	112 016 350 1001



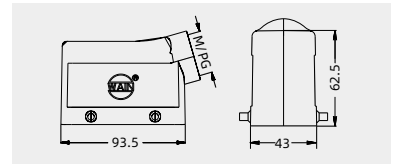
16B EMC Metal hoods/housings

Degree of protection: IP65

Hoods, side entry



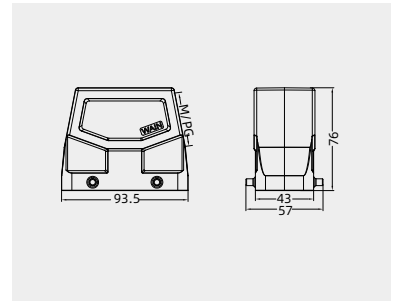
Thread	Designation	Order No.
M25	EMC.H16B-SE-4B-M25	111 616 535 1501
M32	EMC.H16B-SE-4B-M32	111 616 530 1001
PG21	EMC.H16B-SE-4B-PG21	111 616 535 1011



Hoods, side entry, high construction



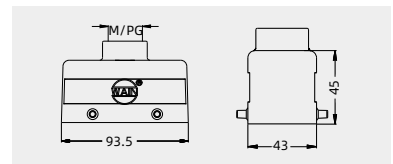
Thread	Designation	Order No.
---	EMC.W16B-BEH-4B	111 216 930 5004
M32	EMC.W16B-SEH-4B-M32	111 216 530 5008
M40	EMC.W16B-SEH-4B-M40	111 216 530 5009
PG21	EMC.W16B-SEH-4B-PG21	111 116 535 5014
PG29	EMC.W16B-SEH-4B-PG29	111 216 530 5010
	with sleeve	
M32	EMC.W16B-SEH-4B-M32 WS	111 116 535 5002
PG21	EMC.W16B-SEH-4B-PG21 WS	111 216 535 5506
PG29	EMC.W16B-SEH-4B-PG29 WS	111 116 535 5003



Hoods, top entry



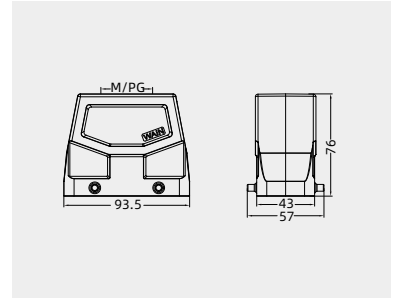
Thread	Designation	Order No.
M25	EMC.H16B-TE-4B-M25	111 616 435 1003
M32	EMC.H16B-TE-4B-M32	111 616 435 1004
PG21	EMC.H16B-TE-4B-PG21	111 616 435 1011



Hoods, top entry, high construction



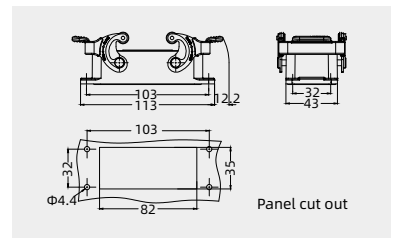
Thread	Designation	Order No.
---	EMC.W16B-BEH-4B	111 216 930 5004
M32	EMC.W16B-TEH-4B-M32	111 216 430 5007
M40	EMC.W16B-TEH-4B-M40	111 216 430 5008
PG21	EMC.W16B-TEH-4B-PG21	111 216 430 5012
PG29	EMC.W16B-TEH-4B-PG29	111 216 430 5009
	with sleeve	
M32	EMC.W16B-TEH-4B-M32 WS	111 116 435 5004
PG21	EMC.W16B-TEH-4B-PG21 WS	111 216 430 5010
PG29	EMC.W16B-TEH-4B-PG29 WS	111 116 435 5002



Bulkhead mounted housings



Thread	Designation	Order No.
---	EMC1.H16B-BK-2L/SC	111 616 341 1201



Please refer to page 15-02 for choosing proper model of lock.

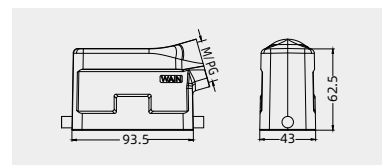
16B Metal hoods/housings

Degree of protection: IP67

Hoods, side entry



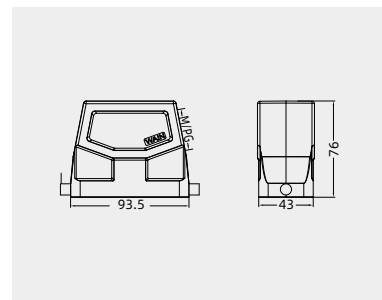
Thread	Designation	Order No.
M25	W16B-SE-2B-M25	111 116 510 1001
M32	W16B-SE-2B-M32	111 116 510 1002
PG21	W16B-SE-2B-PG21	111 116 510 1003



Hoods, side entry, high construction



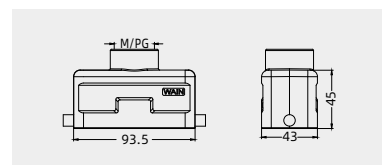
Thread	Designation	Order No.
---	W16B-BEH-2B	111 116 910 5002
M32	W16B-SEH-2B-M32	111 116 510 5001
M40	W16B-SEH-2B-M40	111 116 510 5002
PG21	W16B-SEH-2B-PG21	111 116 510 5003
PG29	W16B-SEH-2B-PG29	111 116 510 5004
M32	W16B-SEH-2B-M32 WS	111 116 515 5013
PG21	W16B-SEH-2B-PG21 WS	111 116 515 5011
PG29	W16B-SEH-2B-PG29 WS	111 116 515 5012



Hoods, top entry



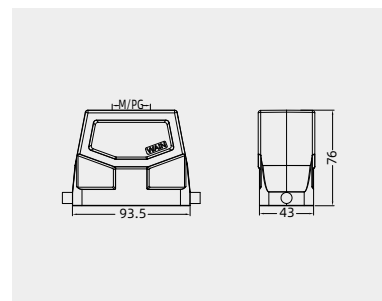
Thread	Designation	Order No.
M25	W16B-TE-2B-M25	111 116 410 1001
M32	W16B-TE-2B-M32	111 116 410 1002
PG21	W16B-TE-2B-PG21	111 116 410 1003



Hoods, top entry, high construction



Thread	Designation	Order No.
---	W16B-BEH-2B	111 116 910 5002
M32	W16B-TEH-2B-M32	111 116 410 5001
M40	W16B-TEH-2B-M40	111 116 410 5002
PG21	W16B-TEH-2B-PG21	111 116 410 5003
PG29	W16B-TEH-2B-PG29	111 116 410 5004
M32	W16B-TEH-2B-M32 WS	111 116 415 5004
PG21	W16B-TEH-2B-PG21 WS	111 116 415 5011
PG29	W16B-TEH-2B-PG29 WS	111 116 415 5012



16B Metal hoods/housings

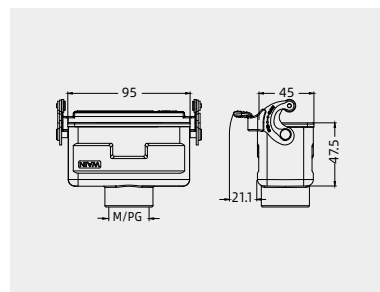
Degree of protection: IP67

Housings, cable to cable



Thread	Designation	Order No.
M25	W16B-CCT-1L/SC-M25	111 116 721 1002
M32	W16B-CCT-1L/SC-M32	111 116 721 1003
PG21	W16B-CCT-1L/SC-PG21	111 116 721 1004

Please refer to page 15-02 for choosing proper model of lock.

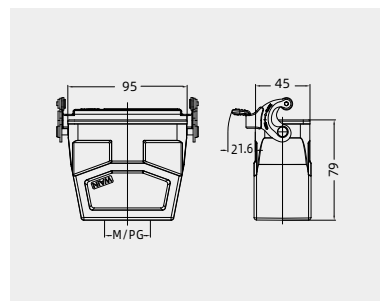


Housings, cable to cable, high construction



Thread	Designation	Order No.
M32	W16B-CCTH-1L/SC-M32	111 116 721 5001
M40	W16B-CCTH-1L/SC-M40	111 116 721 5002
PG21	W16B-CCTH-1L/SC-PG21	111 116 721 5003
PG29	W16B-CCTH-1L/SC-PG29	111 116 721 5004
	with sleeve	
M32	W16B-CCTH-1L/SC-M32 WS	111 116 721 5008
PG21	W16B-CCTH-1L/SC-PG21 WS	111 116 721 5011
PG29	W16B-CCTH-1L/SC-PG29 WS	111 116 721 5012

Please refer to page 15-02 for choosing proper model of lock.

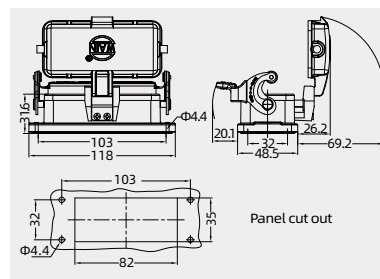


Bulkhead mounted housings



Thread	Designation	Order No.
---	W16B-BK-1L/SC with plastic cover	111 116 321 1001
---	W16B-BK-1L/SC-CV with metal cover	111 116 321 8001
---	W16B-BK-1L/SC-MCV	111 116 321 8002

Please refer to page 15-02 for choosing proper model of lock.



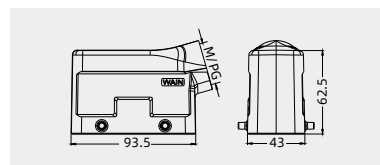
16B Metal hoods/housings

Degree of protection: IP67

Hoods, side entry



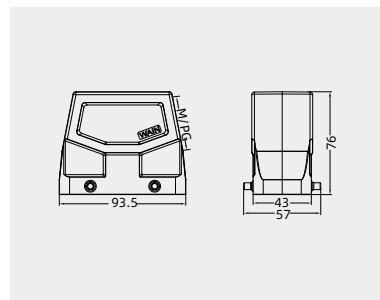
Thread	Designation	Order No.
M25	W16B-SE-4B-M25	111 116 530 1001
M32	W16B-SE-4B-M32	111 116 530 1002
PG21	W16B-SE-4B-PG21	111 116 530 1003



Hoods, side entry, high construction



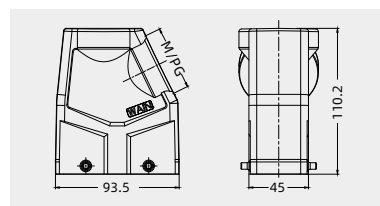
Thread	Designation	Order No.
---	W16B-BEH-4B	111 116 930 5003
M32	W16B-SEH-4B-M32	111 116 530 5001
M40	W16B-SEH-4B-M40	111 116 530 5002
PG21	W16B-SEH-4B-PG21	111 116 530 5003
PG29	W16B-SEH-4B-PG29	111 116 530 5004
	with sleeve	
M32	W16B-SEH-4B-M32 <i>WS</i>	111 116 530 5014
PG21	W16B-SEH-4B-PG21 <i>WS</i>	111 116 530 5011
PG29	W16B-SEH-4B-PG29 <i>WS</i>	111 116 530 5012



Hoods, top entry, high construction



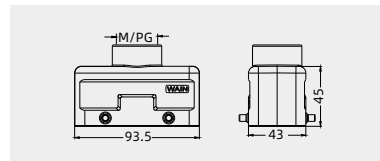
Thread	Designation	Order No.
M50	W16B-SEH-4B-M50	111 116 530 5006
PG36	W16B-SEH-4B-PG36	111 116 530 5013

Suitable for cable with maximum OD Φ 32mm

Hoods, top entry



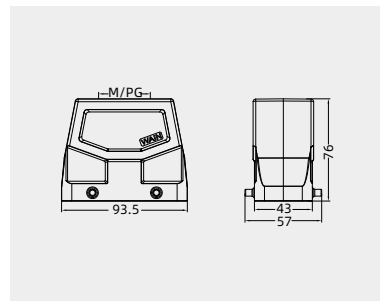
Thread	Designation	Order No.
M25	W16B-TE-4B-M25	111 116 430 1001
M32	W16B-TE-4B-M32	111 116 430 1002
PG21	W16B-TE-4B-PG21	111 116 430 1003



Hoods, top entry, high construction



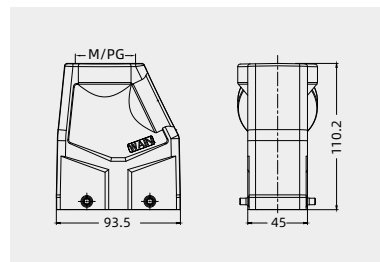
Thread	Designation	Order No.
---	W16B-BEH-4B	111 116 930 5003
M32	W16B-TEH-4B-M32	111 116 430 5001
M40	W16B-TEH-4B-M40	111 116 430 5002
PG21	W16B-TEH-4B-PG21	111 116 430 5003
PG29	W16B-TEH-4B-PG29	111 116 430 5004
	with sleeve	
M32	W16B-TEH-4B-M32 <i>WS</i>	111 116 430 5022
PG21	W16B-TEH-4B-PG21 <i>WS</i>	111 116 430 5020
PG29	W16B-TEH-4B-PG29 <i>WS</i>	111 116 430 5021



Hoods, top entry, high construction



Thread	Designation	Order No.
M50	W16B-TEH-4B-M50	111 116 430 5006
PG36	W16B-TEH-4B-PG36	111 116 430 5013



16B Metal hoods/housings

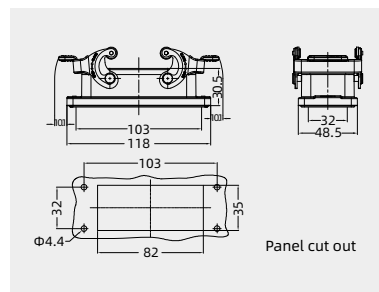
Degree of protection: IP67

Bulkhead mounted housings



Thread	Designation	Order No.
---	W16B-BK-2L/SC	111 116 341 1002

Please refer to page 15-02 for choosing proper model of lock.

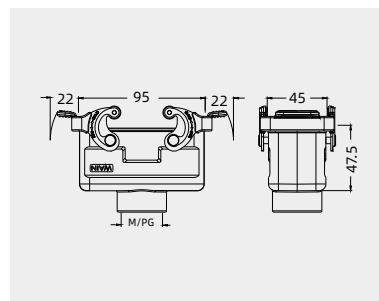


Housings, cable to cable



Thread	Designation	Order No.
M25	W16B-CCT-2L/SC-M25	111 116 741 1001
M32	W16B-CCT-2L/SC-M32	111 116 741 1002
PG21	W16B-CCT-2L/SC-PG21	111 116 741 1003

Please refer to page 15-02 for choosing proper model of lock.

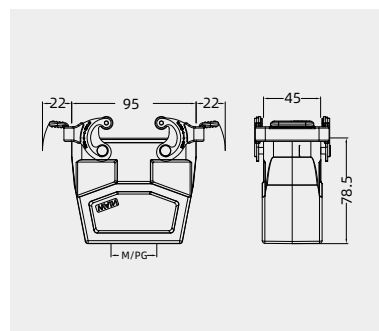


Housings, cable to cable, high construction



Thread	Designation	Order No.
M25	W16B-CCTH-2L/SC-M25	111 116 741 5002
M32	W16B-CCTH-2L/SC-M32	111 116 741 5003
M40	W16B-CCTH-2L/SC-M40	111 116 741 5004
PG21	W16B-CCTH-2L/SC-PG21	111 116 741 5005
PG29	W16B-CCTH-2L/SC-PG29	111 116 741 5006
	with sleeve	
M32	W16B-CCTH-2L/SC-M32 WS	111 116 741 5013
PG21	W16B-CCTH-2L/SC-PG21 WS	111 116 741 5011
PG29	W16B-CCTH-2L/SC-PG29 WS	111 116 741 5012

Please refer to page 15-02 for choosing proper model of lock.



16B Metal hoods/housings

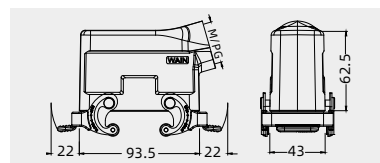
Degree of protection: IP67

Hoods, side entry



Thread	Designation	Order No.
M25	W16B-SE-2L/SC-M25	111 116 541 1001
M32	W16B-SE-2L/SC-M32	111 116 541 1002
PG21	W16B-SE-2L/SC-PG21	111 116 541 1003

Please refer to page 15-02 for choosing proper model of lock.

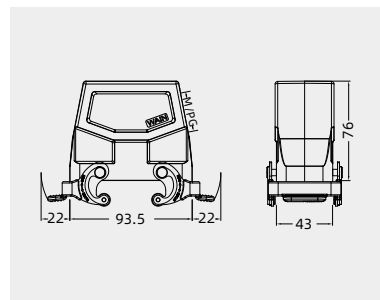


Hoods, side entry, high construction



Thread	Designation	Order No.
M32	W16B-SEH-2L/SC-M32	111 116 541 5001
M40	W16B-SEH-2L/SC-M40	111 116 541 5002
PG21	W16B-SEH-2L/SC-PG21	111 116 541 5003
PG29	W16B-SEH-2L/SC-PG29	111 116 541 5004
	with sleeve	
M32	W16B-SEH-2L/SC-M32 WS	111 116 541 5005
PG21	W16B-SEH-2L/SC-PG21 WS	111 116 541 5011
PG29	W16B-SEH-2L/SC-PG29 WS	111 116 541 5006

Please refer to page 15-02 for choosing proper model of lock.

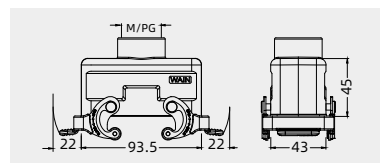


Hoods, top entry



Thread	Designation	Order No.
M25	W16B-TE-2L/SC-M25	111 116 441 1001
M32	W16B-TE-2L/SC-M32	111 116 441 1002
PG21	W16B-TE-2L/SC-PG21	111 116 441 1003

Please refer to page 15-02 for choosing proper model of lock.

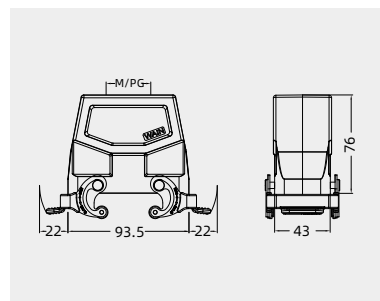


Hoods, top entry, high construction



Thread	Designation	Order No.
M32	W16B-TEH-2L/SC-M32	111 116 441 5001
M40	W16B-TEH-2L/SC-M40	111 116 441 5002
PG21	W16B-TEH-2L/SC-PG21	111 116 441 5003
PG29	W16B-TEH-2L/SC-PG29	111 116 441 5004
	with sleeve	
M32	W16B-TEH-2L/SC-M32 WS	111 116 441 5009
PG21	W16B-TEH-2L/SC-PG21 WS	111 116 441 5011
PG29	W16B-TEH-2L/SC-PG29 WS	111 116 441 5012

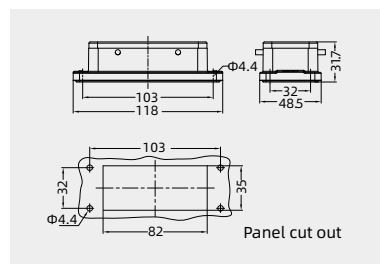
Please refer to page 15-02 for choosing proper model of lock.



Bulkhead mounted housings



Thread	Designation	Order No.
---	W16B-BK-4B	111 116 330 1001



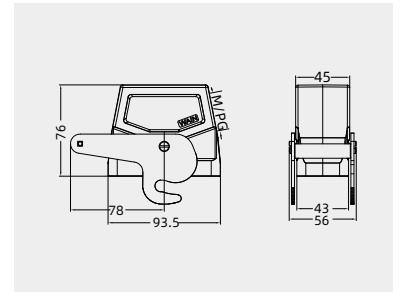
16B Metal hoods/housings

Degree of protection: IP67

Hoods, side entry, high construction



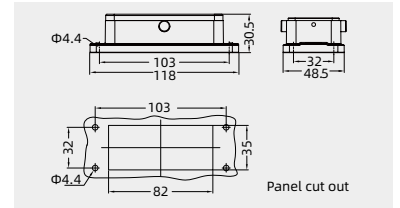
Thread	Designation	Order No.
M25	W16B-SEH-1L/C-M25	111 116 550 5001
M32	W16B-SEH-1L/C-M32	111 116 550 5002
PG21	W16B-SEH-1L/C-PG21	111 116 550 5003
PG29	W16B-SEH-1L/C-PG29	111 116 550 5004
	with sleeve	
M32	W16B-SEH-1L/C-M32 WS	111 116 555 5004
PG21	W16B-SEH-1L/C-PG21 WS	111 116 555 5001
PG29	W16B-SEH-1L/C-PG29 WS	111 116 555 5002



Bulkhead mounted housings



Thread	Designation	Order No.
---	W16B-BK-2B/C	111 116 350 1001



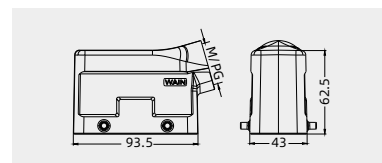
16B Metal hoods/housings

Degree of protection: IP67

Hoods, side entry



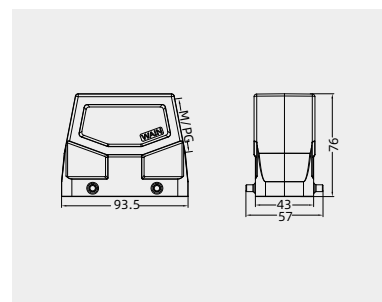
Thread	Designation	Order No.
M25	W16B-MSE-4B-M25	112 116 530 1001
M32	W16B-MSE-4B-M32	112 116 530 1003
PG21	W16B-MSE-4B-PG21	112 116 530 1002



Hoods, side entry, high construction



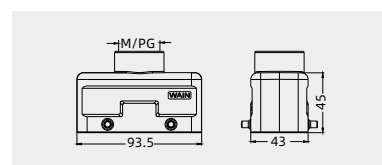
Thread	Designation	Order No.
M32	W16B-MSEH-4B-M32	112 116 530 5005
M40	W16B-MSEH-4B-M40	112 116 530 5006
PG21	W16B-MSEH-4B-PG21	112 116 530 5011
PG29	W16B-MSEH-4B-PG29 with sleeve	112 116 530 5007
M32	W16B-MSEH-4B-M32 WS	112 116 530 5004
PG21	W16B-MSEH-4B-PG21 WS	112 116 530 5001
PG29	W16B-MSEH-4B-PG29 WS	112 116 530 5012



Hoods, top entry



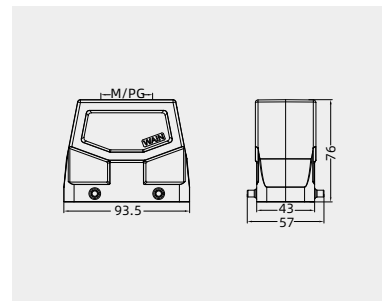
Thread	Designation	Order No.
M25	W16B-MTE-4B-M25	112 116 430 1001
M32	W16B-MTE-4B-M32	112 116 430 1003
PG21	W16B-MTE-4B-PG21	112 116 430 1002



Hoods, top entry, high construction



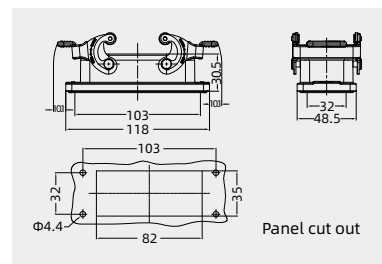
Thread	Designation	Order No.
M32	W16B-MTEH-4B-M32	112 116 430 5005
M40	W16B-MTEH-4B-M40	112 116 430 5001
PG21	W16B-MTEH-4B-PG21	112 116 430 5011
PG29	W16B-MTEH-4B-PG29 with sleeve	112 116 430 5006
M32	W16B-MTEH-4B-M32 WS	112 116 430 5007
PG21	W16B-MTEH-4B-PG21 WS	112 116 430 5008
PG29	W16B-MTEH-4B-PG29 WS	112 116 430 5012



Bulkhead mounted housings



Thread	Designation	Order No.
---	W16B-MBK-2L/SC	112 116 341 1001



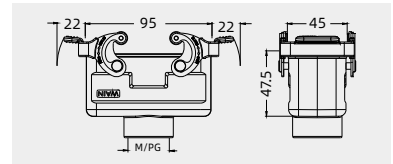
16B Metal hoods/housings -Suitable for harsh environment(anti-corrosion)

Degree of protection: IP67

Housings, cable to cable



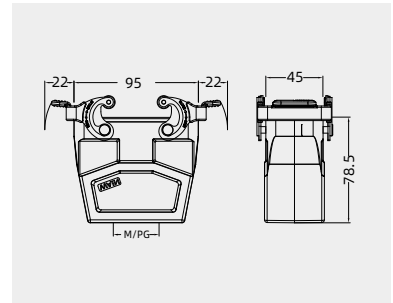
Thread	Designation	Order No.
M25	W16B-MCCT-2L/SC-M25	112 116 741 1002
M32	W16B-MCCT-2L/SC-M32	112 116 741 1003
PG21	W16B-MCCT-2L/SC-PG21	112 116 741 1001



Housings, cable to cable, high construction



Thread	Designation	Order No.
M32	W16B-MCCTH-2L/SC-M32	112 116 741 5004
M40	W16B-MCCTH-2L/SC-M40	112 116 741 5005
PG21	W16B-MCCTH-2L/SC-PG21	112 116 741 5011
PG29	W16B-MCCTH-2L/SC-PG29	112 116 741 5012
	with sleeve	
M32	W16B-MCCTH-2L/SC-M32 WS	112 116 741 5001
PG21	W16B-MCCTH-2L/SC-PG21 WS	112 116 741 5002
PG29	W16B-MCCTH-2L/SC-PG29 WS	112 116 741 5003

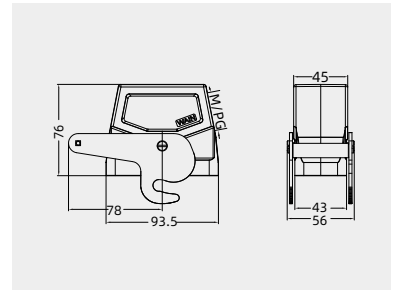


Degree of protection: IP67

Hoods, side entry, high construction



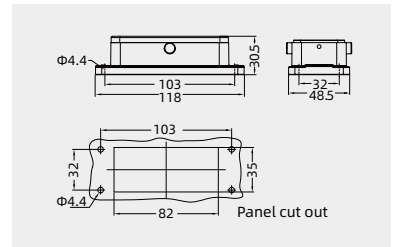
Thread	Designation	Order No.
M32	W16B-MSEH-1L/C-M32	112 116 550 5005
PG21	W16B-MSEH-1L/C-PG21	112 116 550 5006
PG29	W16B-MSEH-1L/C-PG29	112 116 550 5007
	with sleeve	
M32	W16B-MSEH-1L/C-M32 WS	112 116 555 5004
PG21	W16B-MSEH-1L/C-PG21 WS	112 116 555 5011
PG29	W16B-MSEH-1L/C-PG29 WS	112 116 555 5012



Bulkhead mounted housings



Thread	Designation	Order No.
---	W16B-MBK-2B/C	112 116 350 1001



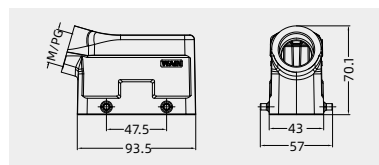
16B EMC Metal hoods/housings

Degree of protection: IP67

Hoods, side entry



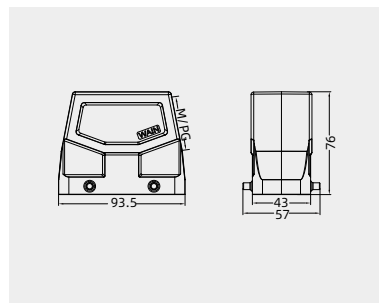
Thread	Designation	Order No.
M25	EMC.W16B-SE-4B-M25	111 216 530 1001
M32	EMC.W16B-SE-4B-M32	111 216 530 1002
PG21	EMC.W16B-SE-4B-PG21	111 216 530 1003



Hoods, side entry, high construction



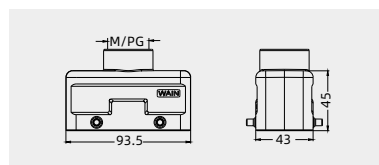
Thread	Designation	Order No.
---	EMC.W16B-BEH-4B	111 216 930 5004
M32	EMC.W16B-SEH-4B-M32	111 216 530 5008
M40	EMC.W16B-SEH-4B-M40	111 216 530 5009
PG21	EMC.W16B-SEH-4B-PG21	111 116 535 5014
PG29	EMC.W16B-SEH-4B-PG29	111 216 530 5010
	with sleeve	
M32	EMC.W16B-SEH-4B-M32 WS	111 116 535 5002
PG21	EMC.W16B-SEH-4B-PG21 WS	111 216 535 5506
PG29	EMC.W16B-SEH-4B-PG29 WS	111 116 535 5003



Hoods, top entry



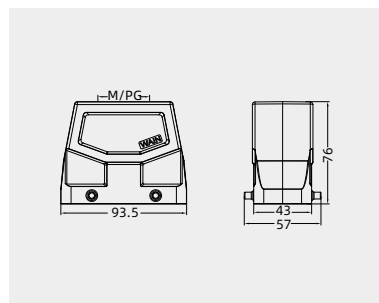
Thread	Designation	Order No.
M25	EMC.W16B-TE-4B-M25	111 216 430 1001
M32	EMC.W16B-TE-4B-M32	111 216 430 1002
PG21	EMC.W16B-TE-4B-PG21	111 216 430 1003



Hoods, top entry, high construction



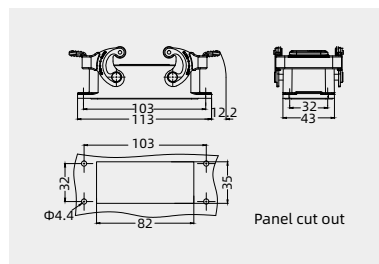
Thread	Designation	Order No.
---	EMC.W16B-BEH-4B	111 216 930 5004
M32	EMC.W16B-TEH-4B-M32	111 216 430 5007
M40	EMC.W16B-TEH-4B-M40	111 216 430 5008
PG21	EMC.W16B-TEH-4B-PG21	111 216 430 5012
PG29	EMC.W16B-TEH-4B-PG29	111 216 430 5009
	with sleeve	
M32	EMC.W16B-TEH-4B-M32 WS	111 116 435 5004
PG21	EMC.W16B-TEH-4B-PG21 WS	111 216 430 5010
PG29	EMC.W16B-TEH-4B-PG29 WS	111 116 435 5002



Bulkhead mounted housings



Thread	Designation	Order No.
---	EMC1.W16B-BK-2L/SC	111 116 341 1001



Please refer to page 15-02 for choosing proper model of lock.

16B Pressure tight hoods/housings

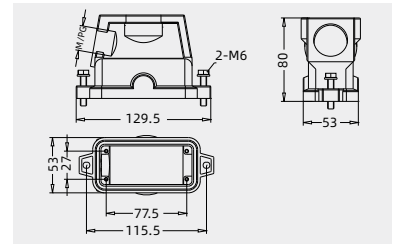
Degree of protection: IP68/IP69K

W version

Hoods, side entry, high construction



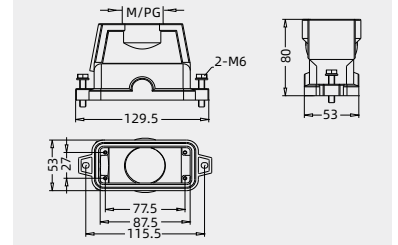
Thread	Designation	Order No.
M25	HP16B-SEH-2S-M25	115 016 520 5003
M32	HP16B-SEH-2S-M32	115 016 520 5104
M40	HP16B-SEH-2S-M40	115 016 520 5105
PG21	HP16B-SEH-2S-PG21	115 016 520 5111
PG29	HP16B-SEH-2S-PG29	115 016 520 5112



Hoods, top entry, high construction



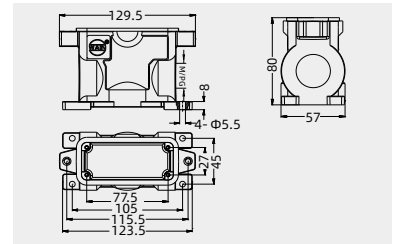
Thread	Designation	Order No.
M25	HP16B-TEH-2S-M25	115 016 420 5103
M32	HP16B-TEH-2S-M32	115 016 420 5104
M40	HP16B-TEH-2S-M40	115 016 420 5105
M50	HP16B-TEH-2S-M50	115 016 420 5106
PG21	HP16B-TEH-2S-PG21	115 016 420 5111
PG29	HP16B-TEH-2S-PG29	115 016 420 5112



Surface mounted housings



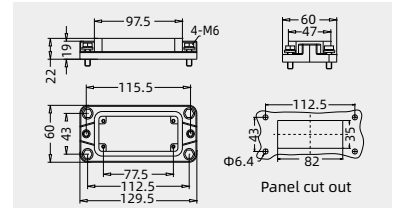
Thread	Designation	Order No.
M25	HP16B-SFH-2H-M25	115 016 220 5003
M32	HP16B-SFH-2H-M32	115 016 220 5004
M40	HP16B-SFH-2H-M40	115 016 220 5005
PG21	HP16B-SFH-2H-PG21	115 016 220 5011
PG29	HP16B-SFH-2H-PG29	115 016 220 5012



Bulkhead mounted housings



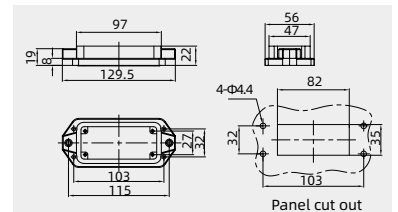
Thread	Designation	Order No.
---	HP16B-BK-2H	115 016 320 1001



Bulkhead mounted housings



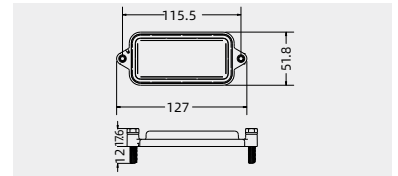
Thread	Designation	Order No.
---	HP16B-BK/S-2H	115 016 320 1004



Protection covers, plastic



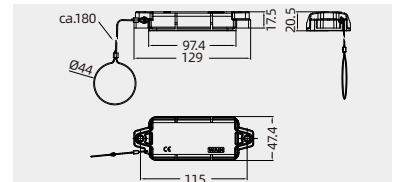
Describe for housings	Designation	Order No.
	HP16B-CV-2S/2	115 016 020 8002



Protection covers, plastic



Describe for hoods	Designation	Order No.
	HP16B-CV-2H/1	115 016 020 8500



16B Pressure tight hoods/housings

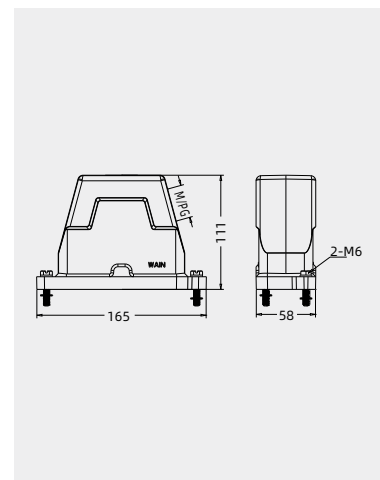
Degree of protection: IP68/IP69K

H version

Hoods, side entry, high construction



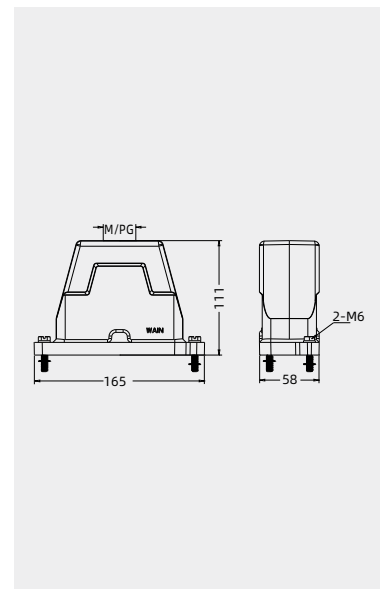
Thread	Designation	Order No.
	Screw locking	
M25	HP16B/H-SEH-2S-M25	113 616 520 5003
M32	HP16B/H-SEH-2S-M32	113 616 520 5004
M40	HP16B/H-SEH-2S-M40	113 616 520 5005
M50	HP16B/H-SEH-2S-M50	113 616 520 5006
PG21	HP16B/H-SEH-2S-PG21	113 616 520 5011
PG29	HP16B/H-SEH-2S-PG29	113 616 520 5012
PG36	HP16B/H-SEH-2S-PG36	113 616 520 5013
	Toggle locking	
M25	HP16B/H-SEH-2T-M25	113 616 540 5003
M32	HP16B/H-SEH-2T-M32	113 616 540 5004
M40	HP16B/H-SEH-2T-M40	113 616 540 5005
M50	HP16B/H-SEH-2T-M50	113 616 540 5006
PG21	HP16B/H-SEH-2T-PG21	113 616 540 5011
PG29	HP16B/H-SEH-2T-PG29	113 616 540 5012
PG36	HP16B/H-SEH-2T-PG36	113 616 540 5013



Hoods, top entry, high construction



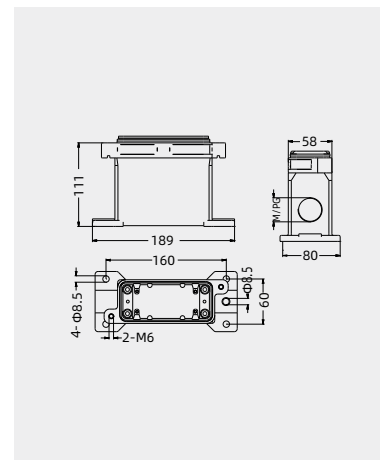
Thread	Designation	Order No.
	Screw locking	
M25	HP16B/H-TEH-2S-M25	113 616 420 5003
2M25	HP16B/H-TEH-2S-2M25	113 616 420 5023
M32	HP16B/H-TEH-2S-M32	113 616 420 5004
M40	HP16B/H-TEH-2S-M40	113 616 420 5005
M50	HP16B/H-TEH-2S-M50	113 616 420 5006
PG21	HP16B/H-TEH-2S-PG21	113 616 420 5011
2PG21	HP16B/H-TEH-2S-2PG21	113 616 420 5031
PG29	HP16B/H-TEH-2S-PG29	113 616 420 5012
PG36	HP16B/H-TEH-2S-PG36	113 616 420 5013
	Toggle locking	
M25	HP16B/H-TEH-2T-M25	113 616 440 5003
2M25	HP16B/H-TEH-2T-2M25	113 616 440 5023
M32	HP16B/H-TEH-2T-M32	113 616 440 5004
M40	HP16B/H-TEH-2T-M40	113 616 440 5005
M50	HP16B/H-TEH-2T-M50	113 616 440 5006
PG21	HP16B/H-TEH-2T-PG21	113 616 440 5011
2PG21	HP16B/H-TEH-2T-2PG21	113 616 440 5031
PG29	HP16B/H-TEH-2T-PG29	113 616 440 5012
PG36	HP16B/H-TEH-2T-PG36	113 616 440 5013



Surface mounted housings, high construction



Thread	Designation	Order No.
	Screw locking	
M25	HP16B/H-SFH-2H-M25	113 616 220 5003
M32	HP16B/H-SFH-2H-M32	113 616 220 5004
M40	HP16B/H-SFH-2H-M40	113 016 220 5002
M40	HP16B/H-SFH-2H-2M40	113 616 220 5025
PG21	HP16B/H-SFH-2H-PG21	113 616 220 5011
PG29	HP16B/H-SFH-2H-PG29	113 616 220 5012
PG36	HP16B/H-SFH-2H-PG36	113 616 220 5013
	Toggle locking	
M25	HP16B/H-SFH-2T-M25	113 616 240 5003
M32	HP16B/H-SFH-2T-M32	113 616 240 5004
M40	HP16B/H-SFH-2T-M40	113 616 240 5005
2M40	HP16B/H-SFH-2T-2M40	113 616 240 5025
PG21	HP16B/H-SFH-2T-PG21	113 616 240 5011
PG29	HP16B/H-SFH-2T-PG29	113 616 240 5012
PG36	HP16B/H-SFH-2T-PG36	113 616 240 5013



16B Pressure tight hoods/housings

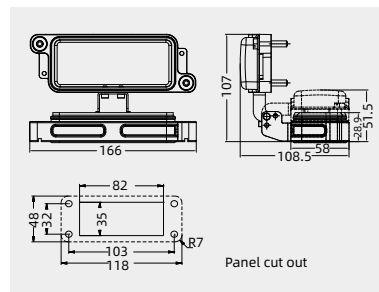
Degree of protection: IP68/IP69K

H version

Bulkhead mounted housings



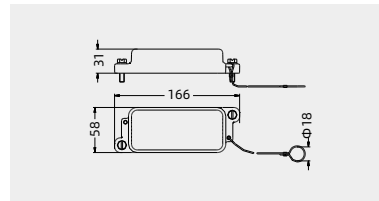
Thread	Designation	Order No.
---	Screw locking	113 616 320 1001
	HP16B/H-BK-2H	
---	Toggle locking	113 616 340 1001
	HP16B/H-BK-2T	
---	with metal cover	113 616 360 1001
	Screw locking	
---	HP16B/H-BK-2H-MCV	113 616 370 1001
	Toggle locking	
---	HP16B/H-BK-2T-MCV	113 616 370 1001



Protection covers, for housings



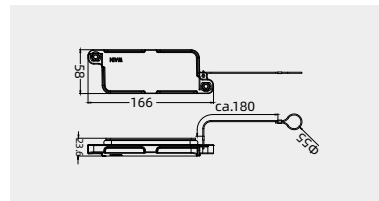
Connect way	Designation	Order No.
	Screw locking	113 616 020 8101
	HP16B/H-MCV-2S	
	Toggle locking	113 616 040 8103
	HP16B/H-MCV-2T	



Protection covers, for hoods



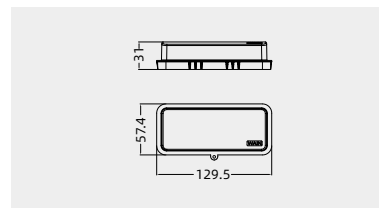
Connect way	Designation	Order No.
	Screw locking	113 616 020 8111
	HP16B/H-MCV-2H/1	
	Toggle locking	113 616 040 8101
	HP16B/H-MCV-2T/1	



Protection covers, for housings(IP5X)



Connect way	Designation	Order No.
---	HP16B/H-CV/C	113 016 900 8001

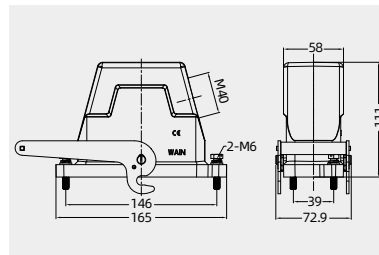


Hoods, side entry, high construction



Thread	Designation	Order No.
M40	HP16B/H-SEH-2S-1L/C-M40	113 616 520 5507

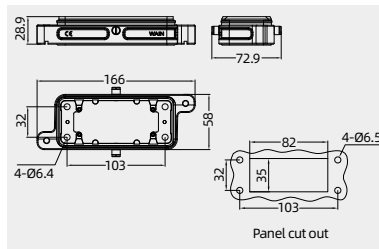
Other outlet hole threads available



Bulkhead mounted housings



Thread	Designation	Order No.
---	HP16B/H-BK-2H-2B/C	113 616 320 1500



16B Pressure tight hoods/housings

Degree of protection: IP68/IP69K

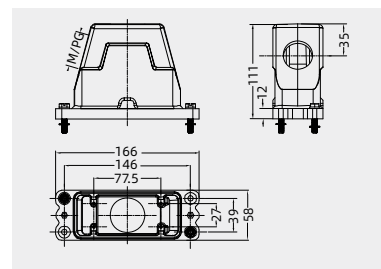
The following hoods/housings comply with the standards for rail transport industry in China.

H version

Hoods, side entry, high construction



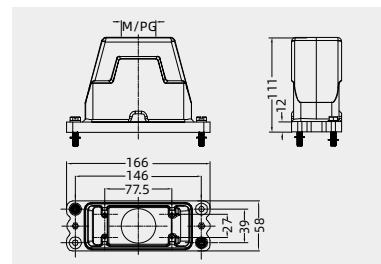
Thread	Designation	Order No.
M25	HP16B/H-SEH-4S-M25	113 616 530 5003
M32	HP16B/H-SEH-4S-M32	113 616 530 5004
M40	HP16B/H-SEH-4S-M40	113 616 530 5005
PG21	HP16B/H-SEH-4S-PG21	113 616 530 5011
PG29	HP16B/H-SEH-4S-PG29	113 616 530 5012



Hoods, top entry, high construction



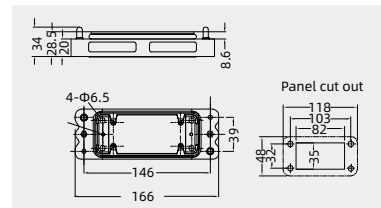
Thread	Designation	Order No.
M25	HP16B/H-TEH-4S-M25	113 616 430 5003
M32	HP16B/H-TEH-4S-M32	113 616 430 5004
M40	HP16B/H-TEH-4S-M40	113 616 430 5005
M50	HP16B/H-TEH-4S-M50	113 616 430 5006
PG21	HP16B/H-TEH-4S-PG21	113 616 430 5011
PG29	HP16B/H-TEH-4S-PG29	113 616 430 5012
PG36	HP16B/H-TEH-4S-PG36	113 616 430 5013



Bulkhead mounted housings



Thread	Designation	Order No.
---	HP16B/H-BK-4H	113 616 330 1001



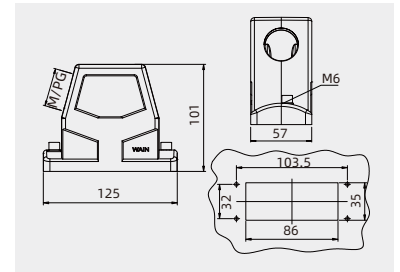
16B Pressure tight hoods/housings

Degree of protection: IP68/IP69K

Hoods, side entry, high construction



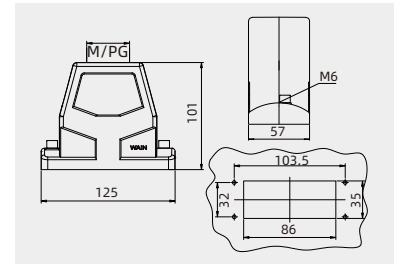
Thread	Designation	Order No.
M32	HC16B-SEH-2S-M32	114 016 520 5004
M40	HC16B-SEH-2S-M40	114 016 520 5005
PG21	HC16B-SEH-2S-PG21	114 016 520 5011
PG29	HC16B-SEH-2S-PG29	114 016 520 5012



Hoods, top entry, high construction



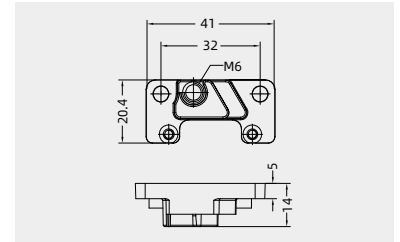
Thread	Designation	Order No.
M32	HC16B-TEH-2S-M32	114 016 420 5004
M40	HC16B-TEH-2S-M40	114 016 420 5005
PG21	HC16B-TEH-2S-PG21	114 016 420 5011
PG29	HC16B-TEH-2S-PG29	114 016 420 5012



Mounting flange



Applications	Designation	Order No.
for integral type hoods	APT-C	114 000 000 1001

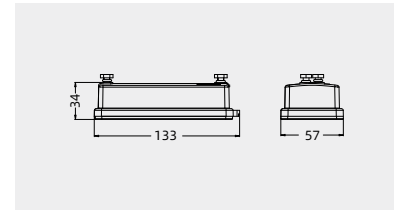


Protection covers, plastic

Degree of protection: IP65



Thread	Designation	Order No.
---	HC16B-CV-2S/2	130 016 020 8001



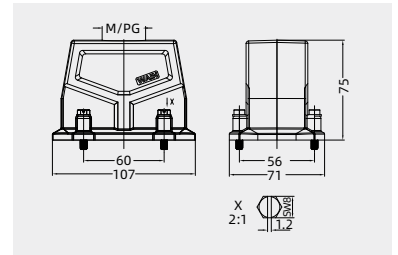
16B Pressure tight hoods/housings

Degree of protection: IP68/IP69K

Hoods, top entry, high construction



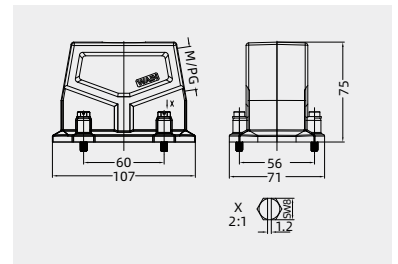
Thread	Designation	Order No.
M32	EMC.W16B-TEH-4S-M32	111 116 430 5010
M40	EMC.W16B-TEH-4S-M40	111 116 430 5011
PG21	EMC.W16B-TEH-4S-PG21	111 116 430 5012
PG29	EMC.W16B-TEH-4S-PG29	111 216 430 5002



Hoods, top entry, high construction



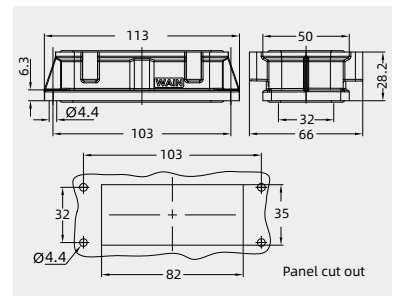
Thread	Designation	Order No.
M32	EMC.W16B-SEH-4S-M32	111 216 530 5002
M40	EMC.W16B-SEH-4S-M40	111 216 530 5003
PG21	EMC.W16B-SEH-4S-PG21	111 216 530 5004
PG29	EMC.W16B-SEH-4S-PG29	111 216 530 5005



Bulkhead mounted housings



Thread	Designation	Order No.
---	EMC.W16B-BK-4H	111 216 330 1001



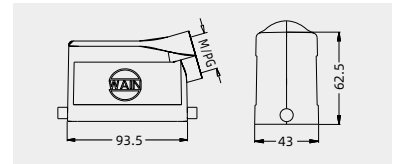
16B Metal hoods/housings - for high voltage inserts(HVE Series)

Degree of protection: IP65

Hoods, side entry



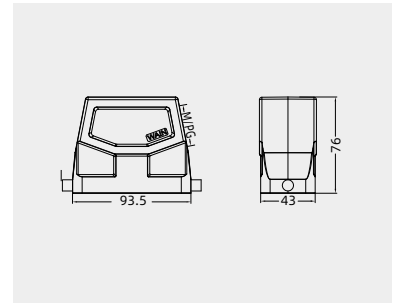
Thread	Designation	Order No.
M25	HV16B-SE-2B-M25	124 016 515 1003
PG21	HV16B-SE-2B-PG21	124 016 515 1011



Hoods, side entry, high construction



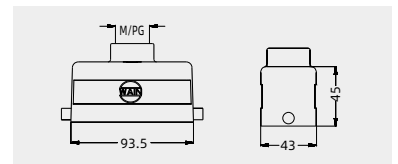
Thread	Designation	Order No.
M32	WV16B-SEH-2B-M32	124 116 510 5001
M40	WV16B-SEH-2B-M40	124 116 510 5002
PG21	WV16B-SEH-2B-PG21	124 116 510 5003
PG29	WV16B-SEH-2B-PG29	124 116 510 5004
	with sleeve	
M32	WV16B-SEH-2B-M32 WS	124 116 515 5004
PG21	WV16B-SEH-2B-PG21 WS	124 116 515 5011
PG29	WV16B-SEH-2B-PG29 WS	124 116 515 5012



Hoods, top entry



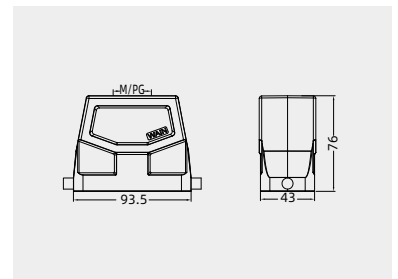
Thread	Designation	Order No.
M25	HV16B-TE-2B-M25	124 016 415 1003
M32	HV16B-TE-2B-M32	124 016 415 1004
PG21	HV16B-TE-2B-PG21	124 016 415 1011



Hoods, top entry, high construction



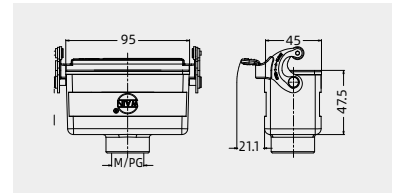
Thread	Designation	Order No.
M32	WV16B-TEH-2B-M32	124 116 410 5001
M40	WV16B-TEH-2B-M40	124 116 410 5002
PG21	WV16B-TEH-2B-PG21	124 116 410 5003
PG29	WV16B-TEH-2B-PG29	124 116 410 5004
	with sleeve	
M32	WV16B-TEH-2B-M32 WS	124 116 415 5004
PG21	WV16B-TEH-2B-PG21 WS	124 116 415 5011
PG29	WV16B-TEH-2B-PG29 WS	124 116 415 5012



Housings, cable to cable



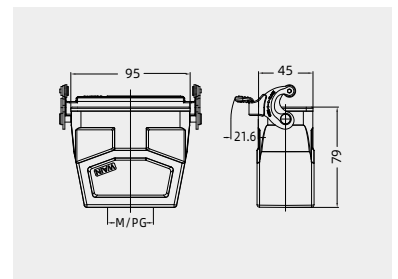
Thread	Designation	Order No.
M25	HV16B-CCT-1L/SC-M25	124 016 721 1003
PG21	HV16B-CCT-1L/SC-PG21	124 016 721 1011



Housings, cable to cable, high construction



Thread	Designation	Order No.
M32	WV16B-CCTH-1L/SC-M32	124 116 721 5001
M40	WV16B-CCTH-1L/SC-M40	124 116 721 5002
PG21	WV16B-CCTH-1L/SC-PG21	124 116 721 5003
PG29	WV16B-CCTH-1L/SC-PG29	124 116 721 5004
	with sleeve	
M32	WV16B-CCTH-1L/SC-M32 WS	124 116 721 5005
PG21	WV16B-CCTH-1L/SC-PG21 WS	124 116 721 5011
PG29	WV16B-CCTH-1L/SC-PG29 WS	124 116 721 5012



Please refer to page 15-02 for choosing proper model of lock.

Please refer to page 15-02 for choosing proper model of lock.

16B Metal hoods/housings - for high voltage inserts(HVE Series)

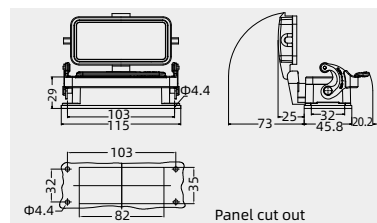
Degree of protection: IP65

Bulkhead mounted housings



Thread	Designation	Order No.
---	HV16B-BK-1L/SC with plastic cover	124 016 321 1001
---	HV16B-BK-1L/SC-CV with metal cover	124 016 361 1001
---	HV16B-BK-1L/SC-MCV	124 016 361 1101

Please refer to page 15-02 for choosing proper model of lock.

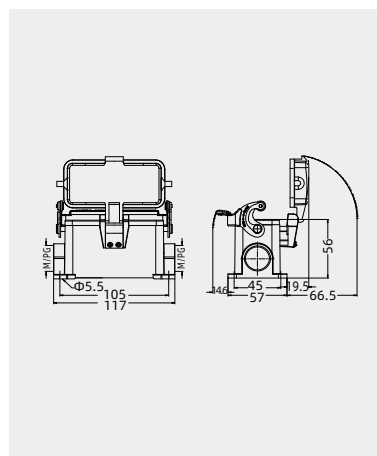


Surface mounted housings



Thread	Designation	Order No.
M25	HV16B-SF-1L/SC-M25	124 016 221 1003
2M25	HV16B-SF-1L/SC-2M25	124 016 221 1023
PG21	HV16B-SF-1L/SC-PG21	124 016 221 1011
2PG21	HV16B-SF-1L/SC-2PG21 with plastic cover	124 016 221 1031
M25	HV16B-SF-1L/SC-CV-M25	124 016 261 1003
2M25	HV16B-SF-1L/SC-CV-2M25	124 016 261 1023
PG21	HV16B-SF-1L/SC-CV-PG21	124 016 261 1011
2PG21	HV16B-SF-1L/SC-CV-2PG21 with metal cover	124 016 261 1031
M25	HV16B-SF-1L/SC-MCV-M25	124 016 261 1103
2M25	HV16B-SF-1L/SC-MCV-2M25	124 016 261 1123
PG21	HV16B-SF-1L/SC-MCV-PG21	124 016 261 1111
2PG21	HV16B-SF-1L/SC-MCV-2PG21	124 016 261 1131

Please refer to page 15-02 for choosing proper model of lock.

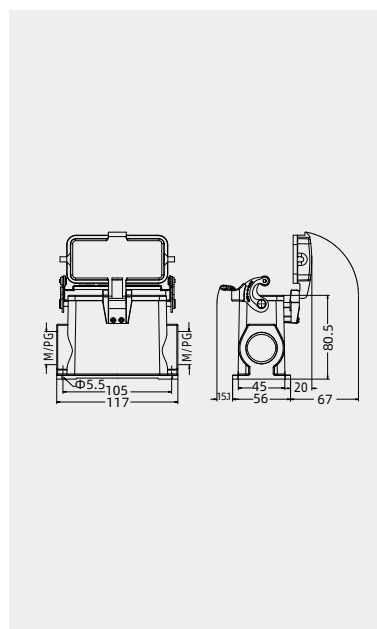


Surface mounted housings, high construction



Thread	Designation	Order No.
M32	HV16B-SFH-1L/SC-M32	124 016 221 5004
2M32	HV16B-SFH-1L/SC-2M32	124 016 221 5024
PG21	HV16B-SFH-1L/SC-PG21	124 016 221 5011
2PG21	HV16B-SFH-1L/SC-2PG21	124 016 221 5031
PG29	HV16B-SFH-1L/SC-PG29	124 016 221 5012
2PG29	HV16B-SFH-1L/SC-2PG29 with plastic cover	124 016 221 5032
M32	HV16B-SFH-1L/SC-CV-M32	124 016 261 5004
2M32	HV16B-SFH-1L/SC-CV-2M32	124 016 261 5024
PG21	HV16B-SFH-1L/SC-CV-PG21	124 016 261 5011
2PG21	HV16B-SFH-1L/SC-CV-2PG21	124 016 261 5031
PG29	HV16B-SFH-1L/SC-CV-PG29	124 016 261 5012
2PG29	HV16B-SFH-1L/SC-CV-2PG29 with metal cover	124 016 261 5032
M32	HV16B-SFH-1L/SC-MCV-M32	124 016 261 5104
2M32	HV16B-SFH-1L/SC-MCV-2M32	124 016 261 5124
PG21	HV16B-SFH-1L/SC-MCV-PG21	124 016 261 5111
2PG21	HV16B-SFH-1L/SC-MCV-2PG21	124 016 261 5131
PG29	HV16B-SFH-1L/SC-MCV-PG29	124 016 261 5112
2PG29	HV16B-SFH-1L/SC-MCV-2PG29	124 016 261 5132

Please refer to page 15-02 for choosing proper model of lock.



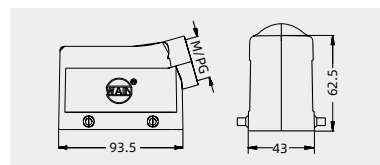
16B Metal hoods/housings - for high voltage inserts(HVE Series)

Degree of protection: IP65

Hoods, side entry



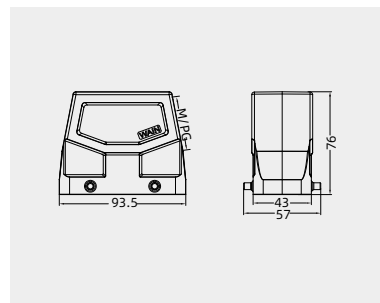
Thread	Designation	Order No.
M25	HV16B-SE-4B-M25	124 016 530 1003
M32	HV16B-SE-4B-M32	124 016 530 1004
PG21	HV16B-SE-4B-PG21	124 016 530 1011



Hoods, side entry, high construction



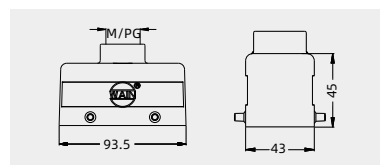
Thread	Designation	Order No.
M32	WV16B-SEH-4B-M32	124 116 530 5001
M40	WV16B-SEH-4B-M40	124 116 530 5002
PG21	WV16B-SEH-4B-PG21	124 116 530 5003
PG29	WV16B-SEH-4B-PG29 with sleeve	124 116 530 5004
M32	WV16B-SEH-4B-M32 WS	124 116 530 5007
PG21	WV16B-SEH-4B-PG21 WS	124 116 530 5011
PG29	WV16B-SEH-4B-PG29 WS	124 116 530 5012



Hoods, top entry



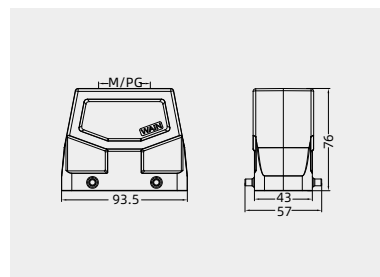
Thread	Designation	Order No.
M25	HV16B-TE-4B-M25	124 016 430 1003
PG21	HV16B-TE-4B-PG21	124 016 430 1011



Hoods, top entry, high construction



Thread	Designation	Order No.
M32	WV16B-TEH-4B-M32	124 116 430 5001
M40	WV16B-TEH-4B-M40	124 116 430 5002
PG21	WV16B-TEH-4B-PG21	124 116 430 5003
PG29	WV16B-TEH-4B-PG29 with sleeve	124 116 430 5004
M32	WV16B-TEH-4B-M32 WS	124 116 430 5007
PG21	WV16B-TEH-4B-PG21 WS	124 116 430 5011
PG29	WV16B-TEH-4B-PG29 WS	124 116 430 5012



16B Metal hoods/housings - for high voltage inserts(HVE Series)

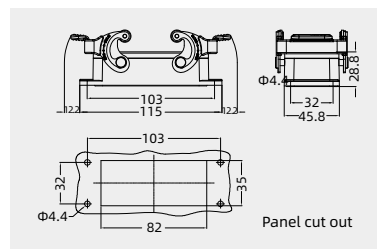
Degree of protection: IP65

Bulkhead mounted housings



Thread	Designation	Order No.
---	HV16B-BK-2L/SC	124 016 341 1001

Please refer to page 15-02 for choosing proper model of lock.

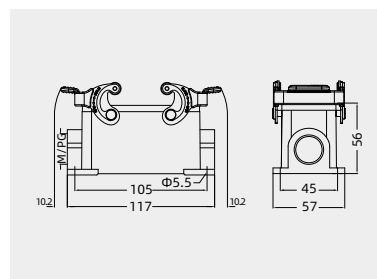


Surface mounted housings



Thread	Designation	Order No.
M25	HV16B-SF-2L/SC-M25	124 016 241 1003
2M25	HV16B-SF-2L/SC-2M25	124 016 241 1023
PG21	HV16B-SF-2L/SC-PG21	124 016 241 1011
2PG21	HV16B-SF-2L/SC-2PG21	124 016 241 1031

Please refer to page 15-02 for choosing proper model of lock.

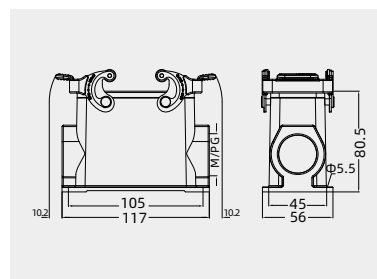


Surface mounted housings, high construction



Thread	Designation	Order No.
M32	HV16B-SFH-2L/SC-M32	124 016 241 5004
2M32	HV16B-SFH-2L/SC-2M32	124 016 241 5024
PG21	HV16B-SFH-2L/SC-PG21	124 016 241 5011
2PG21	HV16B-SFH-2L/SC-2PG21	124 016 241 5031
PG29	HV16B-SFH-2L/SC-PG29	124 016 241 5012
2PG29	HV16B-SFH-2L/SC-2PG29	124 016 241 5032

Please refer to page 15-02 for choosing proper model of lock.

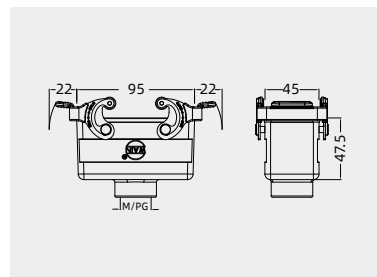


Surface mounted housings, high construction



Thread	Designation	Order No.
M25	HV16B-CCT-2L/SC-M25	124 016 741 1003
PG21	HV16B-CCT-2L/SC-PG21	124 016 741 1011

Please refer to page 15-02 for choosing proper model of lock.



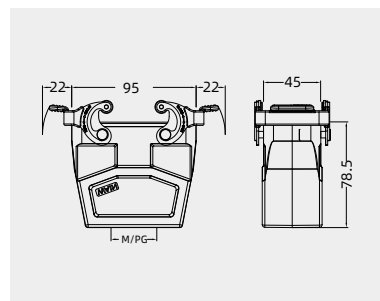
16B Metal hoods/housings
- for high voltage inserts(HVE Series)

Degree of protection: IP65

Housings, cable to cable, high construction



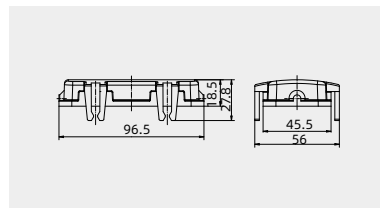
Thread	Designation	Order No.
M32	WV16B-CCTH-2L/SC-M32	124 116 741 5001
M40	WV16B-CCTH-2L/SC-M40	124 116 741 5002
PG21	WV16B-CCTH-2L/SC-PG21	124 116 741 5003
PG29	WV16B-CCTH-2L/SC-PG29	124 116 741 5004
	with sleeve	
M32	WV16B-CCTH-2L/SC-M32 WS	124 116 741 5005
PG21	WV16B-CCTH-2L/SC-PG21 WS	124 116 741 5011
PG29	WV16B-CCTH-2L/SC-PG29 WS	124 116 741 5012



Protection covers, plastic


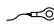


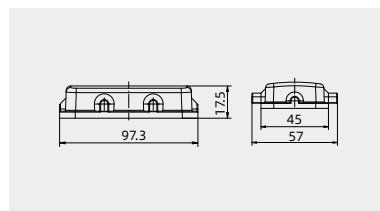
Connect way	Applications	Designation	Order No.
---	for hoods	H16B-CV-4C	111 016 090 8009



Protection covers, plastic



Connect way	Applications	Designation	Order No.
	for Housings, cable to cable	H16B-CV-4B/1	111 016 030 8001
	for Housings, bulkhead mounting / surface mounting	H16B-CV-4B/2	111 016 030 8002



16B Metal hoods/housings - for high voltage inserts(HVE Series)

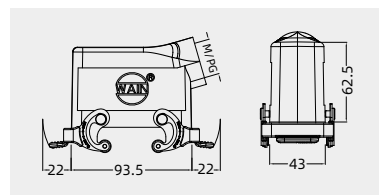
Degree of protection: IP65

Hoods, side entry



Thread	Designation	Order No.
M25	HV16B-SE-2L/SC-M25	124 016 541 1003
M32	HV16B-SE-2L/SC-M32	124 016 541 1004
PG21	HV16B-SE-2L/SC-PG21	124 016 541 1011

Please refer to page 15-02 for choosing proper model of lock.

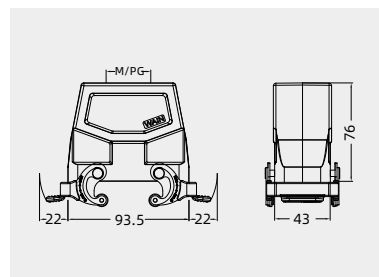


Hoods, side entry, high construction



Thread	Designation	Order No.
M32	WV16B-SEH-2L/SC-M32	124 116 541 5001
M40	WV16B-SEH-2L/SC-M40	124 116 541 5002
PG21	WV16B-SEH-2L/SC-PG21	124 116 541 5003
PG29	WV16B-SEH-2L/SC-PG29	124 116 541 5004
	with sleeve	
M32	WV16B-SEH-2L/SC-M32 WS	124 116 541 5006
PG21	WV16B-SEH-2L/SC-PG21 WS	124 116 541 5011
PG29	WV16B-SEH-2L/SC-PG29 WS	124 116 541 5012

Please refer to page 15-02 for choosing proper model of lock.

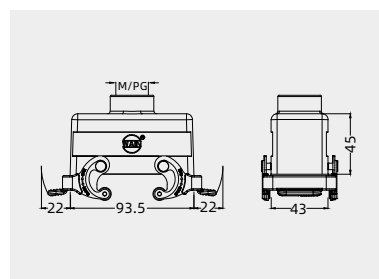


Hoods, top entry



Thread	Designation	Order No.
M25	HV16B-TE-2L/SC-M25	124 016 441 1003
PG21	HV16B-TE-2L/SC-PG21	124 016 441 1011

Please refer to page 15-02 for choosing proper model of lock.

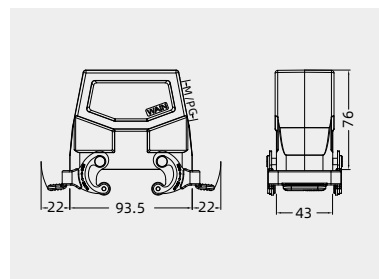


Hoods, top entry, high construction



Thread	Designation	Order No.
M32	WV16B-TEH-2L/SC-M32	124 116 441 5001
M40	WV16B-TEH-2L/SC-M40	124 116 441 5002
PG21	WV16B-TEH-2L/SC-PG21	124 116 441 5003
PG29	WV16B-TEH-2L/SC-PG29	124 116 441 5004
	with sleeve	
M32	WV16B-TEH-2L/SC-M32 WS	124 116 441 5005
PG21	WV16B-TEH-2L/SC-PG21 WS	124 116 441 5011
PG29	WV16B-TEH-2L/SC-PG29 WS	124 116 441 5012

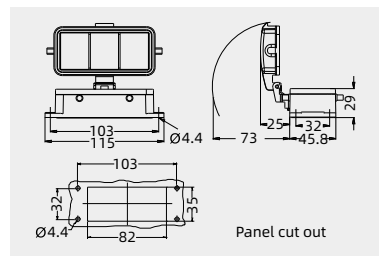
Please refer to page 15-02 for choosing proper model of lock.



Bulkhead mounted housings



Thread	Designation	Order No.
---	HV16B-BK-4B with plastic cover	124 016 330 1001
---	HV16B-BK-4B-CV with metal cover	124 016 370 1001
---	HV16B-BK-4B-MCV	124 016 370 1101



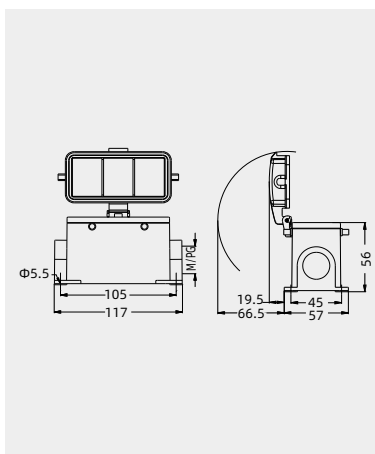
HV16B Metal hoods/housings - for high voltage inserts(HVE Series)

Degree of protection: IP65

Surface mounted housings



Thread	Designation	Order No.
M25	HV16B-SF-4B-M25	124 016 230 1003
2M25	HV16B-SF-4B-2M25	124 016 230 1023
PG21	HV16B-SF-4B-PG21	124 016 230 1011
2PG21	HV16B-SF-4B-2PG21	124 016 230 1031
with plastic cover		
M25	HV16B-SF-4B-CV-M25	124 016 270 1003
2M25	HV16B-SF-4B-CV-2M25	124 016 270 1023
PG21	HV16B-SF-4B-CV-PG21	124 016 270 1011
2PG21	HV16B-SF-4B-CV-2PG21	124 016 270 1031
with metal cover		
M25	HV16B-SF-4B-MCV-M25	124 016 270 1103
2M25	HV16B-SF-4B-MCV-2M25	124 016 270 1123
PG21	HV16B-SF-4B-MCV-PG21	124 016 270 1111
2PG21	HV16B-SF-4B-MCV-2PG21	124 016 270 1131

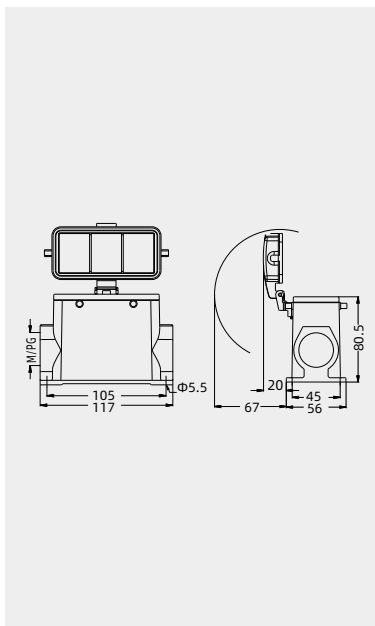


H

Surface mounted housings, high construction



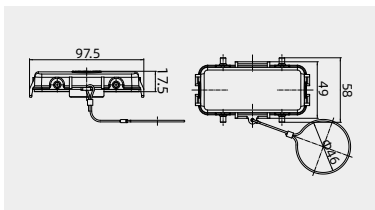
Thread	Designation	Order No.
M32	HV16B-SFH-4B-M32	124 016 230 5004
2M32	HV16B-SFH-4B-2M32	124 016 230 5024
PG21	HV16B-SFH-4B-PG21	124 016 230 5011
2PG21	HV16B-SFH-4B-2PG21	124 016 230 5031
PG29	HV16B-SFH-4B-PG29	124 016 230 5012
2PG29	HV16B-SFH-4B-2PG29	124 016 230 5032
with plastic cover		
M32	HV16B-SFH-4B-CV-M32	124 016 270 5004
2M32	HV16B-SFH-4B-CV-2M32	124 016 270 5024
PG21	HV16B-SFH-4B-CV-PG21	124 016 270 5011
2PG21	HV16B-SFH-4B-CV-2PG21	124 016 270 5031
PG29	HV16B-SFH-4B-CV-PG29	124 016 270 5012
2PG29	HV16B-SFH-4B-CV-2PG29	124 016 270 5032
with metal cover		
M32	HV16B-SFH-4B-MCV-M32	124 016 270 5104
2M32	HV16B-SFH-4B-MCV-2M32	124 016 270 5124
PG21	HV16B-SFH-4B-MCV-PG21	124 016 270 5111
2PG21	HV16B-SFH-4B-MCV-2PG21	124 016 270 5131
PG29	HV16B-SFH-4B-MCV-PG29	124 016 270 5112
2PG29	HV16B-SFH-4B-MCV-2PG29	124 016 270 5132



Protection covers, metal



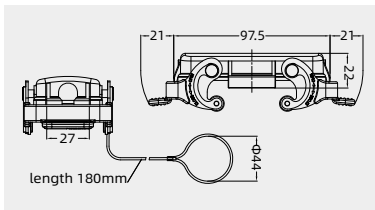
Connect way	Applications	Designation	Order No.
	for hoods	H16B-MCV-4B/1S	111 016 030 8103
	for housings, without sealing	H16B-MCV-4B/2	111 016 030 8102



Protection covers, metal



Connect way	Applications	Designation	Order No.
	for hoods	H16B-MCV-2L/SC.1S	111 016 041 8101
	or housings	H16B-MCV-2L/SC.2	111 016 041 8102



Please refer to page 15-02 for choosing proper model of lock.

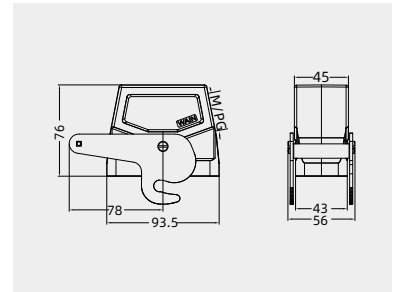
HV16B Metal hoods/housings
- for high voltage inserts(HVE Series)

Degree of protection: IP65

Hoods, side entry, high construction



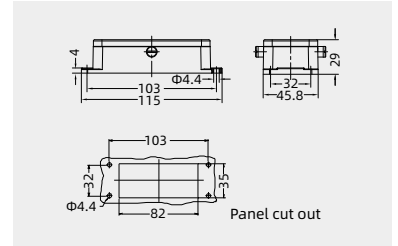
Thread	Designation	Order No.
M32	WV16B-SEH-1L/C-M32	124 116 550 5001
PG21	WV16B-SEH-1L/C-PG21	124 116 550 5002
PG29	WV16B-SEH-1L/C-PG29	124 116 550 5003
	with sleeve	
M32	WV16B-SEH-1L/C-M32 <i>WS</i>	124 116 555 5004
PG21	WV16B-SEH-1L/C-PG21 <i>WS</i>	124 116 555 5011
PG29	WV16B-SEH-1L/C-PG29 <i>WS</i>	124 116 555 5012



Bulkhead mounted housings



Thread	Designation	Order No.
---	HV16B-BK-2B/C	124 016 355 1001



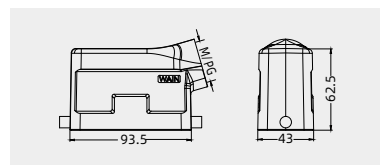
HV16B Metal hoods/housings - for high voltage inserts(HVE Series)

Degree of protection: IP67

Hoods, side entry



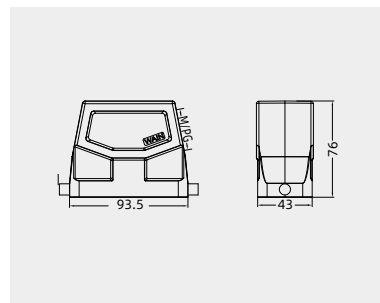
Thread	Designation	Order No.
M25	WV16B-SE-2B-M25	124 116 510 1001
PG21	WV16B-SE-2B-PG21	124 116 510 1002



Hoods, side entry, high construction



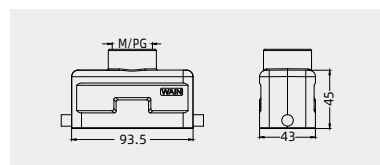
Thread	Designation	Order No.
M32	WV16B-SEH-2B-M32	124 116 510 5001
M40	WV16B-SEH-2B-M40	124 116 510 5002
PG21	WV16B-SEH-2B-PG21	124 116 510 5003
PG29	WV16B-SEH-2B-PG29 with sleeve	124 116 510 5004
M32	WV16B-SEH-2B-M32 WS	124 116 515 5004
PG21	WV16B-SEH-2B-PG21 WS	124 116 515 5011
PG29	WV16B-SEH-2B-PG29 WS	124 116 515 5012



Hoods, top entry



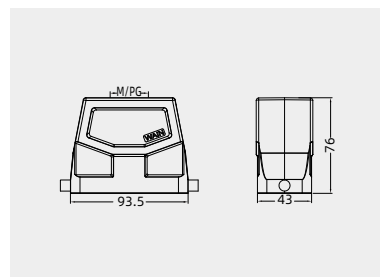
Thread	Designation	Order No.
M25	WV16B-TE-2B-M25	124 116 410 1001
M32	WV16B-TE-2B-M32	124 116 410 1002
PG21	WV16B-TE-2B-PG21	124 116 410 1003



Hoods, top entry, high construction



Thread	Designation	Order No.
M32	WV16B-TEH-2B-M32	124 116 410 5001
M40	WV16B-TEH-2B-M40	124 116 410 5002
PG21	WV16B-TEH-2B-PG21	124 116 410 5003
PG29	WV16B-TEH-2B-PG29 with sleeve	124 116 410 5004
M32	WV16B-TEH-2B-M32 WS	124 116 415 5004
PG21	WV16B-TEH-2B-PG21 WS	124 116 415 5011
PG29	WV16B-TEH-2B-PG29 WS	124 116 415 5012



HV16B Metal hoods/housings - for high voltage inserts(HVE Series)

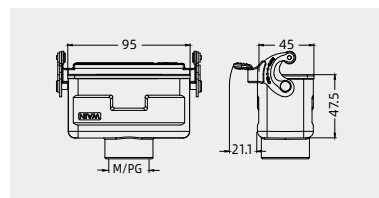
Degree of protection: IP65

Housings, cable to cable



Thread	Designation	Order No.
M25	WV16B-CCT-1L/SC-M25	124 116 721 1001
PG21	WV16B-CCT-1L/SC-PG21	124 116 721 1002

Please refer to page 15-02 for choosing proper model of lock.

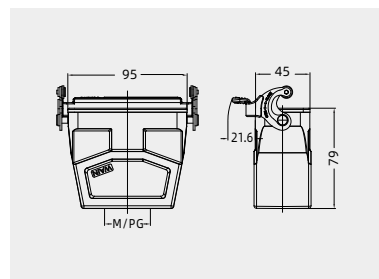


Housings, cable to cable, high construction



Thread	Designation	Order No.
M32	WV16B-CCTH-1L/SC-M32	124 116 721 5001
M40	WV16B-CCTH-1L/SC-M40	124 116 721 5002
PG21	WV16B-CCTH-1L/SC-PG21	124 116 721 5003
PG29	WV16B-CCTH-1L/SC-PG29	124 116 721 5004
	with sleeve	
M32	WV16B-CCTH-1L/SC-M32 WS	124 116 721 5005
PG21	WV16B-CCTH-1L/SC-PG21 WS	124 116 721 5011
PG29	WV16B-CCTH-1L/SC-PG29 WS	124 116 721 5012

Please refer to page 15-02 for choosing proper model of lock.

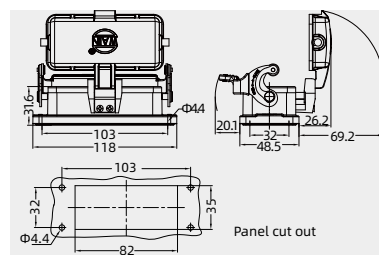


Bulkhead mounted housings



Thread	Designation	Order No.
---	WV16B-BK-1L/SC with plastic cover	124 116 321 1101
---	WV16B-BK-1L/SC-CV with metal cover	111 116 321 8003
---	WV16B-BK-1L/SC-MCV	111 116 321 8004

Please refer to page 15-02 for choosing proper model of lock.



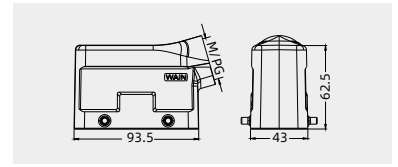
16B Metal hoods/housings - for high voltage inserts(HVE Series)

Degree of protection: IP67

Hoods, side entry



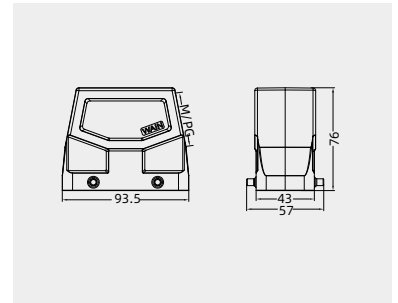
Thread	Designation	Order No.
M25	WV16B-SE-4B-M25	124 116 530 1001
M32	WV16B-SE-4B-M32	124 116 530 1002
PG21	WV16B-SE-4B-PG21	124 116 530 1003



Hoods, side entry, high construction



Thread	Designation	Order No.
M32	WV16B-SEH-4B-M32	124 116 530 5001
M40	WV16B-SEH-4B-M40	124 116 530 5002
PG21	WV16B-SEH-4B-PG21	124 116 530 5003
PG29	WV16B-SEH-4B-PG29 with sleeve	124 116 530 5004
M32	WV16B-SEH-4B-M32 <i>WS</i>	124 116 530 5007
PG21	WV16B-SEH-4B-PG21 <i>WS</i>	124 116 530 5011
PG29	WV16B-SEH-4B-PG29 <i>WS</i>	124 116 530 5012

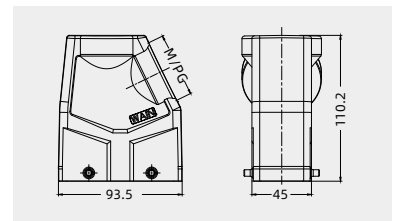


Hoods, side entry, high construction



Thread	Designation	Order No.
M50	WV16B-SEH-4B-M50	124 116 530 5005
PG36	WV16B-SEH-4B-PG36	124 116 530 5006

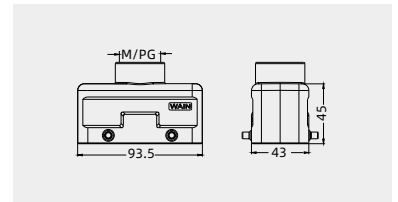
Suitable for cable with maximum OD $\Phi 32\text{mm}$



Hoods, top entry



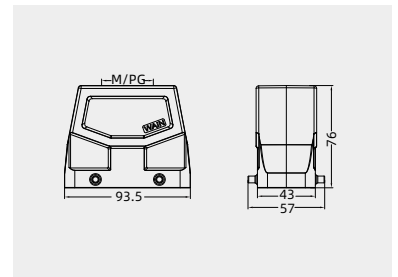
Thread	Designation	Order No.
M25	WV16B-TE-4B-M25	124 116 430 1001
PG21	WV16B-TE-4B-PG21	124 116 430 1002



Hoods, top entry, high construction



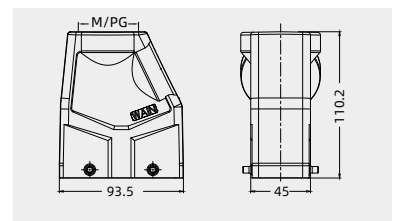
Thread	Designation	Order No.
M32	WV16B-TEH-4B-M32	124 116 430 5001
M40	WV16B-TEH-4B-M40	124 116 430 5002
PG21	WV16B-TEH-4B-PG21	124 116 430 5003
PG29	WV16B-TEH-4B-PG29 with sleeve	124 116 430 5004
M32	WV16B-TEH-4B-M32 <i>WS</i>	124 116 430 5007
PG21	WV16B-TEH-4B-PG21 <i>WS</i>	124 116 430 5011
PG29	WV16B-TEH-4B-PG29 <i>WS</i>	124 116 430 5012



Hoods, top entry, high construction



Thread	Designation	Order No.
M50	WV16B-TEH-4B-M50	124 116 430 5005
PG36	WV16B-TEH-4B-PG36	124 116 430 5006



16B Metal hoods/housings
- for high voltage inserts(HVE Series)

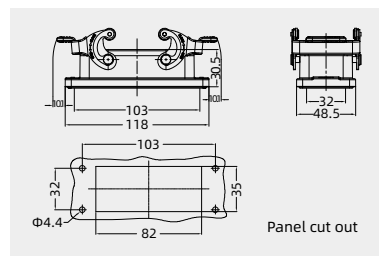
Degree of protection: IP67

Bulkhead mounted housings



Thread	Designation	Order No.
---	WV16B-BK-2L/SC	124 116 341 1101

Please refer to page 15-02 for choosing proper model of lock.

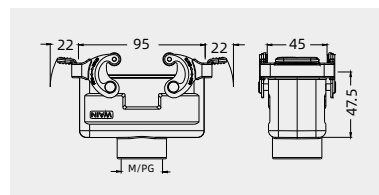


Housings, cable to cable



Thread	Designation	Order No.
M25	WV16B-CCT-2L/SC-M25	124 116 741 1001
PG21	WV16B-CCT-2L/SC-PG21	124 116 741 1002

Please refer to page 15-02 for choosing proper model of lock.

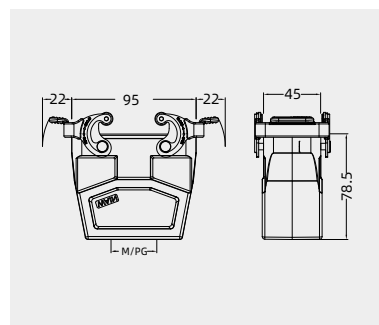


Housings, cable to cable, high construction



Thread	Designation	Order No.
M32	WV16B-CCTH-2L/SC-M32	124 116 741 5001
M40	WV16B-CCTH-2L/SC-M40	124 116 741 5002
PG21	WV16B-CCTH-2L/SC-PG21	124 116 741 5003
PG29	WV16B-CCTH-2L/SC-PG29	124 116 741 5004
	with sleeve	
M32	WV16B-CCTH-2L/SC-M32 WS	124 116 741 5005
PG21	WV16B-CCTH-2L/SC-PG21 WS	124 116 741 5011
PG29	WV16B-CCTH-2L/SC-PG29 WS	124 116 741 5012

Please refer to page 15-02 for choosing proper model of lock.



H

16B Metal hoods/housings - for high voltage inserts(HVE Series)

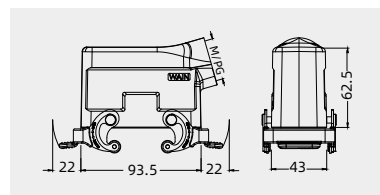
Degree of protection: IP67

Hoods, side entry



Thread	Designation	Order No.
M25	WV16B-SE-2L/SC-M25	124 116 541 1001
M32	WV16B-SE-2L/SC-M32	124 116 541 1002
PG21	WV16B-SE-2L/SC-PG21	124 116 541 1003

Please refer to page 15-02 for choosing proper model of lock.

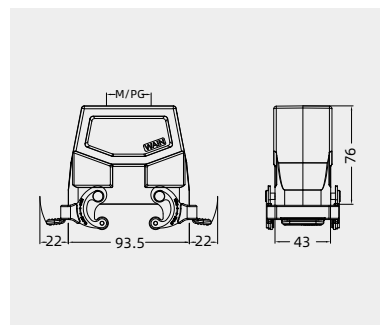


Hoods, side entry, high construction



Thread	Designation	Order No.
M32	WV16B-SEH-2L/SC-M32	124 116 541 5001
M40	WV16B-SEH-2L/SC-M40	124 116 541 5002
PG21	WV16B-SEH-2L/SC-PG21	124 116 541 5003
PG29	WV16B-SEH-2L/SC-PG29 with sleeve	124 116 541 5004
M32	WV16B-SEH-2L/SC-M32 WS	124 116 541 5006
PG21	WV16B-SEH-2L/SC-PG21 WS	124 116 541 5011
PG29	WV16B-SEH-2L/SC-PG29 WS	124 116 541 5012

Please refer to page 15-02 for choosing proper model of lock.

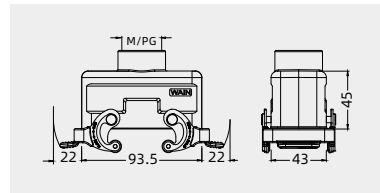


Hoods, side entry



Thread	Designation	Order No.
M25	WV16B-TE-2L/SC-M25	124 116 441 1001
PG21	WV16B-TE-2L/SC-PG21	124 116 441 1002

Please refer to page 15-02 for choosing proper model of lock.

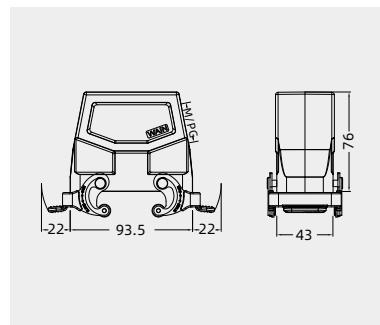


Hoods, side entry, high construction



Thread	Designation	Order No.
M32	WV16B-TEH-2L/SC-M32	124 116 441 5001
M40	WV16B-TEH-2L/SC-M40	124 116 441 5002
PG21	WV16B-TEH-2L/SC-PG21	124 116 441 5003
PG29	WV16B-TEH-2L/SC-PG29 with sleeve	124 116 441 5004
M32	WV16B-TEH-2L/SC-M32 WS	124 116 441 5005
PG21	WV16B-TEH-2L/SC-PG21 WS	124 116 441 5011
PG29	WV16B-TEH-2L/SC-PG29 WS	124 116 441 5012

Please refer to page 15-02 for choosing proper model of lock.



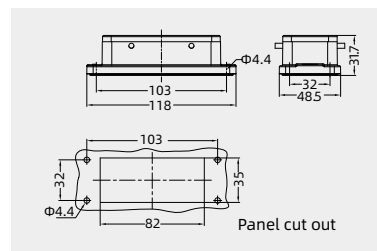
16B Metal hoods/housings - for high voltage inserts(HVE Series)

Degree of protection: IP67

Bulkhead mounted housings



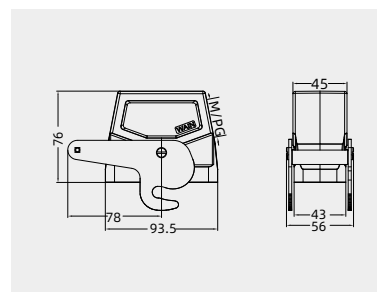
Thread	Designation	Order No.
---	WV16B-BK-4B	124 116 330 1101



Hoods, side entry, high construction



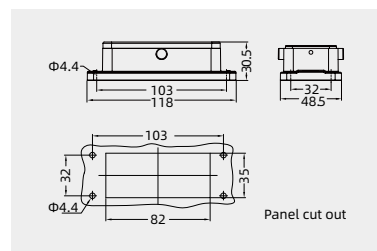
Thread	Designation	Order No.
M32	WV16B-SEH-1L/C-M32	124 116 550 5001
PG21	WV16B-SEH-1L/C-PG21	124 116 550 5002
PG29	WV16B-SEH-1L/C-PG29 with sleeve	124 116 550 5003
M32	WV16B-SEH-1L/C-M32 WS	124 116 555 5004
PG21	WV16B-SEH-1L/C-PG21 WS	124 116 555 5011
PG29	WV16B-SEH-1L/C-PG29 WS	124 116 555 5012



Bulkhead mounted housings



Thread	Designation	Order No.
---	WV16B-BK-2B/C	124 116 350 1101



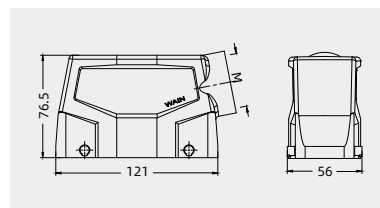
24B Plastic hoods/housings

Degree of protection: IP65

Hoods, side entry, high construction



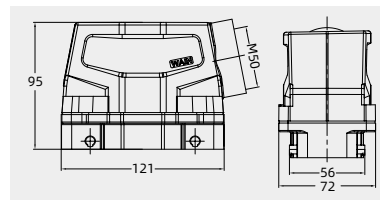
Thread	Designation	Order No.
M32	H24B.P-SEH-4B-M32	117 024 530 5004
M40	H24B.P-SEH-4B-M40	117 024 530 5005



Hoods, side entry, high construction



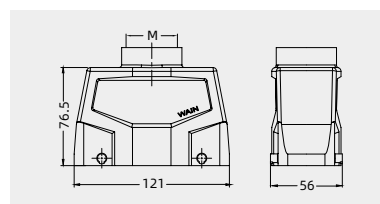
Thread	Designation	Order No.
M50	H24B.P-SEH-4B-M50	117 024 530 5502



Hoods, top entry, high construction



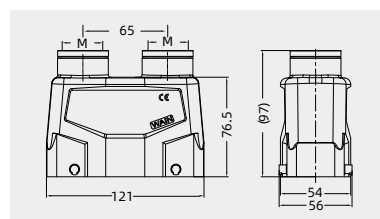
Thread	Designation	Order No.
M32	H24B.P-TEH-4B-M32	117 024 430 5004
M40	H24B.P-TEH-4B-M40	117 024 430 5005



Hoods, top entry, high construction



Thread	Designation	Order No.
2M25	H24B.P-TEH-4B-2M25	117 024 430 5002
2M32	H24B.P-TEH-4B-2M32	117 024 430 5001

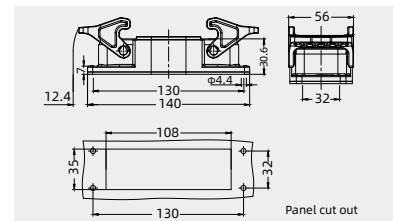


Degree of protection: IP65

Bulkhead mounted housings



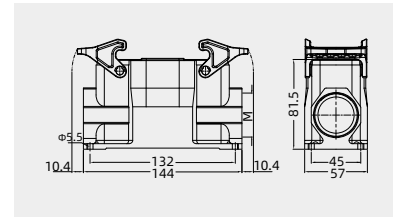
Connect way	Designation	Order No.
---	H24B.P-BK-2L	117 024 347 1001



Surface mounted housings, high construction



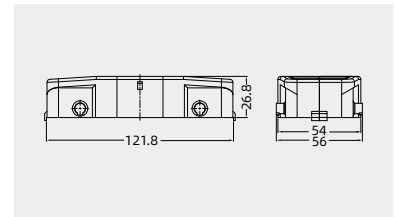
Thread	Designation	Order No.
M32	H24B.P-SFH-2L-M32	117 024 247 5004
2M32	H24B.P-SFH-2L-2M32	117 024 247 5024
M40	H24B.P-SFH-2L-M40	117 024 247 5005
2M40	H24B.P-SFH-2L-2M40	117 024 247 5025



Protection covers, for housings



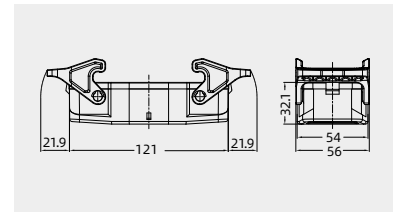
Connect way	Designation	Order No.
---	H24B.P-CV-4B/2	117 024 030 8002



Protection covers, for hoods



Connect way	Designation	Order No.
---	H24B.P-CV-2L/1	117 024 047 8001



24B Modular type plastic hoods/housings

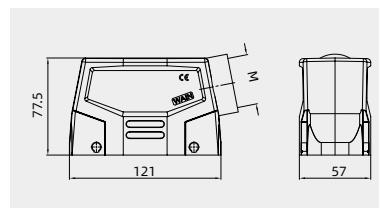
Degree of protection: IP65

Number of modules: 7

Hoods, side entry, high construction



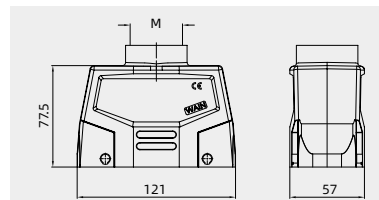
Thread	Designation	Order No.
M32	HM24B.P-SEH-4B-M32	129 024 530 1500
M40	HM24B.P-SEH-4B-M40	129 024 530 5001



Hoods, top entry, high construction



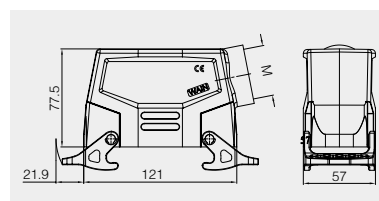
Thread	Designation	Order No.
M32	HM24B.P-TEH-4B-M32	129 024 430 1500
M40	HM24B.P-TEH-4B-M40	129 024 430 5001



Hoods, side entry, high construction



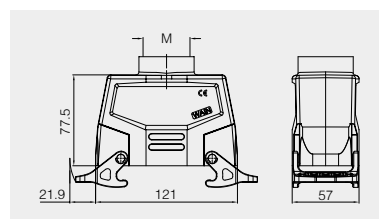
Thread	Designation	Order No.
M32	HM24B.P-SEH-2L-M32	129 024 547 1500
M40	HM24B.P-SEH-2L-M40	129 024 540 1001



Hoods, top entry, high construction



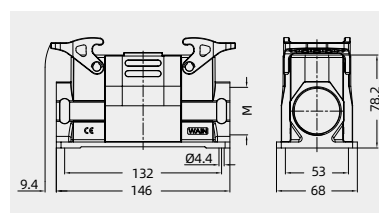
Thread	Designation	Order No.
M32	HM24B.P-TEH-2L-M32	129 024 447 1500
M40	HM24B.P-TEH-2L-M40	129 024 440 1001



Surface mounted housings, high construction



Thread	Designation	Order No.
M32	HM24B.P-SFH-2L-M32	129 024 247 1501
M32	HM24B.P-SFH-2L-2M32	129 024 247 1502
M40	HM24B.P-SFH-2L-M40	129 024 230 5001
M40	HM24B.P-SFH-2L-2M40	129 024 247 1500



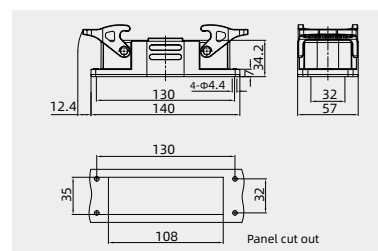
Degree of protection: IP65

Number of modules: 7

Bulkhead mounted housings



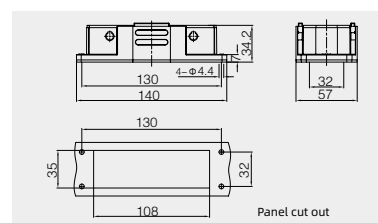
Thread	Designation	Order No.
---	HM24B.P-BK-2L	129 024 340 1001



Bulkhead mounted housings



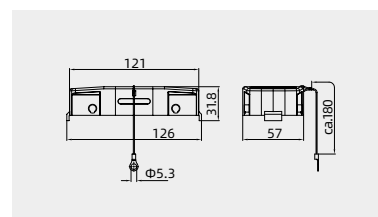
Thread	Designation	Order No.
---	HM24B.P-BK-4B	129 024 330 1001



Protection covers, for housings



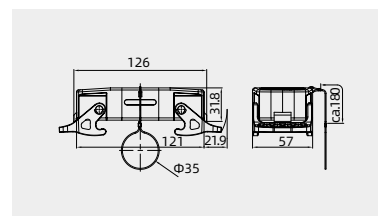
Connect way	Designation	Order No.
	HM24B.P-CV-4B/2	129 024 030 8001



Protection covers, for hoods



Connect way	Designation	Order No.
	HM24B.P-CV-2L/1	129 024 040 8001



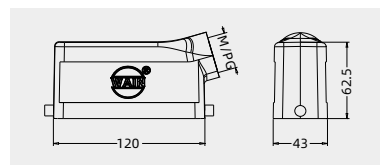
24B Metal hoods/housings

Degree of protection: IP65

Hoods, side entry



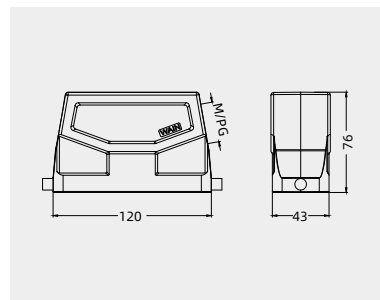
Thread	Designation	Order No.
M25	H24B-SE-2B-M25	111 024 515 1003
M32	H24B-SE-2B-M32	111 024 515 1004
PG21	H24B-SE-2B-PG21	111 024 515 1011



Hoods, side entry, high construction



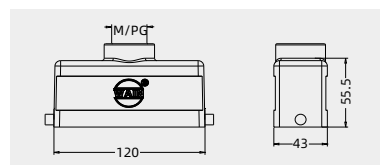
Thread	Designation	Order No.
---	W24B-BEH-2B	111 124 910 5002
M32	W24B-SEH-2B-M32	111 124 510 5001
M40	W24B-SEH-2B-M40	111 124 510 5002
PG21	W24B-SEH-2B-PG21	111 124 510 5003
PG29	W24B-SEH-2B-PG29	111 124 510 5004
	with sleeve	
M32	W24B-SEH-2B-M32 <i>WS</i>	111 124 515 5004
PG21	W24B-SEH-2B-PG21 <i>WS</i>	111 124 515 5011
PG29	W24B-SEH-2B-PG29 <i>WS</i>	111 124 515 5012



Hoods, top entry



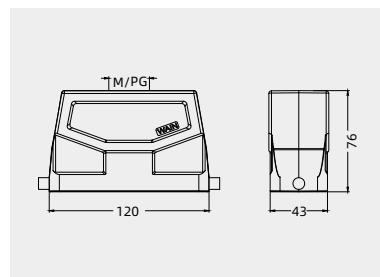
Thread	Designation	Order No.
M25	H24B-TE-2B-M25	111 024 415 1003
M32	H24B-TE-2B-M32	111 024 415 1004
PG21	H24B-TE-2B-PG21	111 024 415 1011
PG29	H24B-TE-2B-PG29	111 024 415 1012



Hoods, top entry, high construction



Thread	Designation	Order No.
---	W24B-BEH-2B	111 124 910 5002
M32	W24B-TEH-2B-M32	111 124 410 5001
M40	W24B-TEH-2B-M40	111 124 410 5002
PG21	W24B-TEH-2B-PG21	111 124 410 5003
PG29	W24B-TEH-2B-PG29	111 124 410 5004
	with sleeve	
M32	W24B-TEH-2B-M32 <i>WS</i>	111 124 415 5004
PG21	W24B-TEH-2B-PG21 <i>WS</i>	111 124 415 5011
PG29	W24B-TEH-2B-PG29 <i>WS</i>	111 124 415 5012

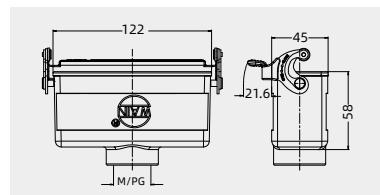


Housings, cable to cable



Thread	Designation	Order No.
M25	H24B-CCT-1L/SC-M25	111 024 721 1003
M32	H24B-CCT-1L/SC-M32	111 024 721 1004
PG21	H24B-CCT-1L/SC-PG21	111 024 721 1011
PG29	H24B-CCT-1L/SC-PG29	111 024 721 1012

Please refer to page 15-02 for choosing proper model of lock.

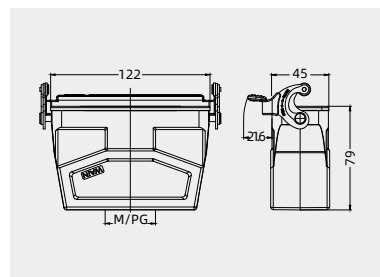


Housings, cable to cable, high construction



Thread	Designation	Order No.
M32	W24B-CCTH-1L/SC-M32	111 124 721 5002
M40	W24B-CCTH-1L/SC-M40	111 124 721 5003
PG21	W24B-CCTH-1L/SC-PG21	111 124 721 5004
PG29	W24B-CCTH-1L/SC-PG29	111 124 721 5005
	with sleeve	
M32	W24B-CCTH-1L/SC-M32 <i>WS</i>	111 124 721 5006
PG21	W24B-CCTH-1L/SC-PG21 <i>WS</i>	111 124 721 5011
PG29	W24B-CCTH-1L/SC-PG29 <i>WS</i>	111 124 721 5012

Please refer to page 15-02 for choosing proper model of lock.



24B Metal hoods/housings

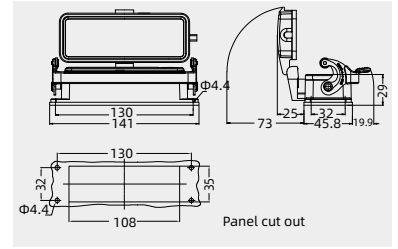
Degree of protection: IP65

Bulkhead mounted housings



Thread	Designation	Order No.
---	H24B-BK-1L/SC with plastic cover	111 024 321 1001
---	H24B-BK-1L/SC-CV with metal cover	111 024 361 1001
---	H24B-BK-1L/SC-MCV	111 024 361 1101

Please refer to page 15-02 for choosing proper model of lock.

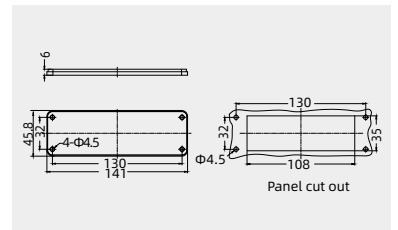


BK hole cover plate



Applications	Designation	Order No.
---	24B-BK/MCV	111 024 390 8001

可将安装柜的安装孔临时密封住，适用于已开好了安装孔，而未安装连接器的情况。

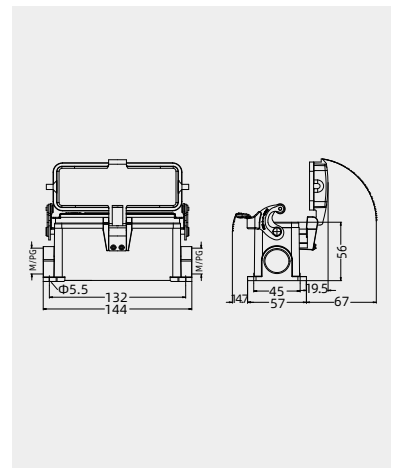


Surface mounted housings



Thread	Designation	Order No.
M25	H24B-SF-1L/SC-M25	111 024 221 1003
2M25	H24B-SF-1L/SC-2M25	111 024 221 1023
PG21	H24B-SF-1L/SC-PG21	111 024 221 1011
2PG21	H24B-SF-1L/SC-2PG21	111 024 221 1031
	with plastic cover	
M25	H24B-SF-1L/SC-CV-M25	111 024 261 1003
2M25	H24B-SF-1L/SC-CV-2M25	111 024 261 1023
PG21	H24B-SF-1L/SC-CV-PG21	111 024 261 1011
2PG21	H24B-SF-1L/SC-CV-2PG21	111 024 261 1031
	with metal cover	
M25	H24B-SF-1L/SC-MCV-M25	111 024 261 1103
2M25	H24B-SF-1L/SC-MCV-2M25	111 024 261 1123
PG21	H24B-SF-1L/SC-MCV-PG21	111 024 261 1111
2PG21	H24B-SF-1L/SC-MCV-2PG21	111 024 261 1131

Please refer to page 15-02 for choosing proper model of lock.

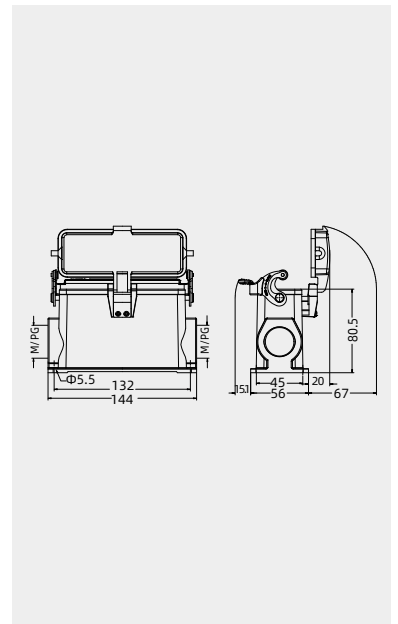


Surface mounted housings, high construction



Thread	Designation	Order No.
M32	H24B-SFH-1L/SC-M32	111 024 221 5004
2M32	H24B-SFH-1L/SC-2M32	111 024 221 5024
PG21	H24B-SFH-1L/SC-PG21	111 024 221 5011
2PG21	H24B-SFH-1L/SC-2PG21	111 024 221 5031
PG29	H24B-SFH-1L/SC-PG29	111 024 221 5012
2PG29	H24B-SFH-1L/SC-2PG29	111 024 221 5032
	with plastic cover	
M32	H24B-SFH-1L/SC-CV-M32	111 024 261 5004
2M32	H24B-SFH-1L/SC-CV-2M32	111 024 261 5024
PG21	H24B-SFH-1L/SC-CV-PG21	111 024 261 5011
2PG21	H24B-SFH-1L/SC-CV-2PG21	111 024 261 5031
PG29	H24B-SFH-1L/SC-CV-PG29	111 024 261 5012
2PG29	H24B-SFH-1L/SC-CV-2PG29	111 024 261 5032
	with metal cover	
M32	H24B-SFH-1L/SC-MCV-M32	111 024 261 5104
2M32	H24B-SFH-1L/SC-MCV-2M32	111 024 261 5124
PG21	H24B-SFH-1L/SC-MCV-PG21	111 024 261 5111
2PG21	H24B-SFH-1L/SC-MCV-2PG21	111 024 261 5131
PG29	H24B-SFH-1L/SC-MCV-PG29	111 024 261 5112
2PG29	H24B-SFH-1L/SC-MCV-2PG29	111 024 261 5132

Please refer to page 15-02 for choosing proper model of lock.



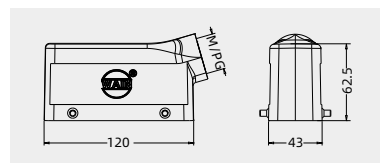
24B Metal hoods/housings

Degree of protection: IP65

Hoods, side entry



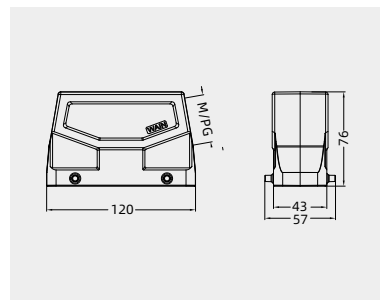
Thread	Designation	Order No.
M25	H24B-SE-4B-M25	111 024 530 1003
M32	H24B-SE-4B-M32	111 024 530 1004
PG21	H24B-SE-4B-PG21	111 024 530 1011



Hoods, side entry, high construction



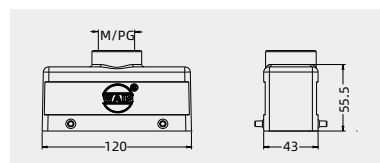
Thread	Designation	Order No.
---	W24B-BEH-4B	111 124 930 5003
M32	W24B-SEH-4B-M32	111 124 530 5001
M40	W24B-SEH-4B-M40	111 124 530 5002
PG21	W24B-SEH-4B-PG21	111 124 530 5003
PG29	W24B-SEH-4B-PG29	111 124 530 5004
	with sleeve	
M32	W24B-SEH-4B-M32 <i>WS</i>	111 124 530 5008
PG21	W24B-SEH-4B-PG21 <i>WS</i>	111 124 530 5011
PG29	W24B-SEH-4B-PG29 <i>WS</i>	111 124 530 5012



Hoods, top entry



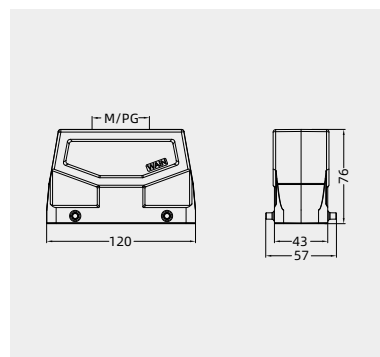
Thread	Designation	Order No.
M25	H24B-TE-4B-M25	111 024 430 1003
M32	H24B-TE-4B-M32	111 024 430 1004
PG21	H24B-TE-4B-PG21	111 024 430 1011
PG29	H24B-TE-4B-PG29	111 024 430 1012



Hoods, top entry, high construction



Thread	Designation	Order No.
---	W24B-BEH-4B	111 124 930 5003
M32	W24B-TEH-4B-M32	111 124 430 5001
M40	W24B-TEH-4B-M40	111 124 430 5002
PG21	W24B-TEH-4B-PG21	111 124 430 5003
PG29	W24B-TEH-4B-PG29	111 124 430 5004
2M32	W24B-TEH-4B-2M32	111 124 430 5005
	with sleeve	
M32	W24B-TEH-4B-M32 <i>WS</i>	111 124 430 5014
PG21	W24B-TEH-4B-PG21 <i>WS</i>	111 124 430 5011
PG29	W24B-TEH-4B-PG29 <i>WS</i>	111 124 430 5010



24B Metal hoods/housings

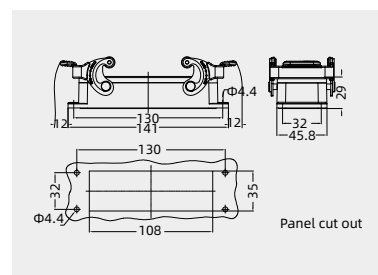
Degree of protection: IP65

Bulkhead mounted housings



Thread	Designation	Order No.
---	H24B-BK-2L/SC	111 024 341 1001

Please refer to page 15-02 for choosing proper model of lock.

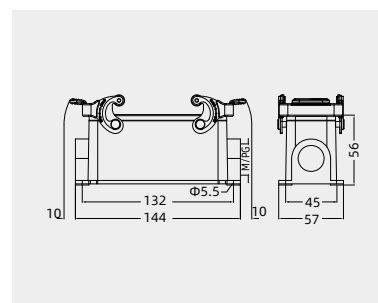


Surface mounted housings



Thread	Designation	Order No.
M25	H24B-SF-2L/SC-M25	111 024 241 1003
2M25	H24B-SF-2L/SC-2M25	111 024 241 1023
PG21	H24B-SF-2L/SC-PG21	111 024 241 1011
2PG21	H24B-SF-2L/SC-2PG21	111 024 241 1031

Please refer to page 15-02 for choosing proper model of lock.

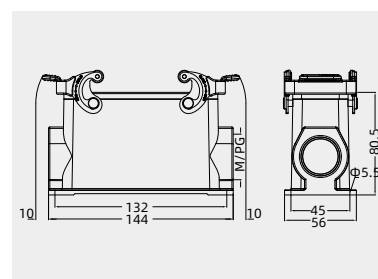


Surface mounted housings, high construction



Thread	Designation	Order No.
M32	H24B-SFH-2L/SC-M32	111 024 241 5004
2M32	H24B-SFH-2L/SC-2M32	111 024 241 5024
2M40	H24B-SFH-2L/SC-2M40	111 024 241 5025
PG21	H24B-SFH-2L/SC-PG21	111 024 241 5011
2PG21	H24B-SFH-2L/SC-2PG21	111 024 241 5031
PG29	H24B-SFH-2L/SC-PG29	111 024 241 5012
2PG29	H24B-SFH-2L/SC-2PG29	111 024 241 5032

Please refer to page 15-02 for choosing proper model of lock.

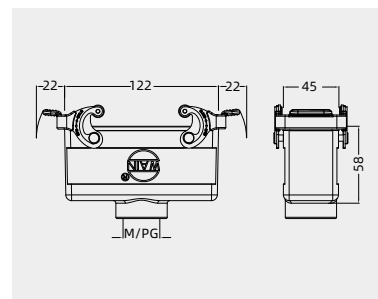


Housings, cable to cable



Thread	Designation	Order No.
M25	H24B-CCT-2L/SC-M25	111 024 741 1003
M32	H24B-CCT-2L/SC-M32	111 024 741 1004
PG21	H24B-CCT-2L/SC-PG21	111 024 741 1011
PG29	H24B-CCT-2L/SC-PG29	111 024 741 1012

Please refer to page 15-02 for choosing proper model of lock.



24B Metal hoods/housings

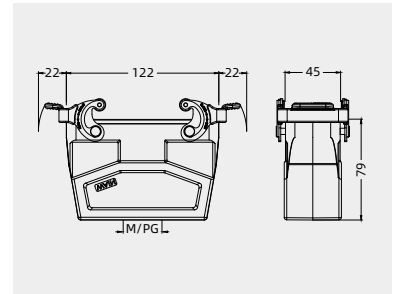
Degree of protection: IP65

Housings, cable to cable, high construction



Thread	Designation	Order No.
M32	W24B-CCTH-2L/SC-M32	111 124 741 5002
M40	W24B-CCTH-2L/SC-M40	111 124 741 5003
PG21	W24B-CCTH-2L/SC-PG21	111 124 741 5004
PG29	W24B-CCTH-2L/SC-PG29	111 124 741 5005
M32	W24B-CCTH-2L/SC-M32 WS	111 124 741 5010
PG21	W24B-CCTH-2L/SC-PG21 WS	111 124 741 5011
PG29	W24B-CCTH-2L/SC-PG29 WS	111 124 741 5012

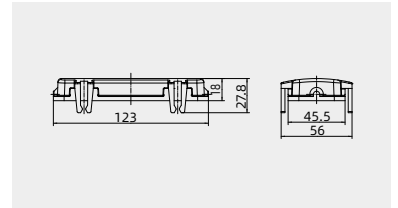
Please refer to page 15-02 for choosing proper model of lock.



Protection covers, plastic



Connect way	Applications	Designation	Order No.
---	for hoods	H24B-CV-4C	111 024 090 8009

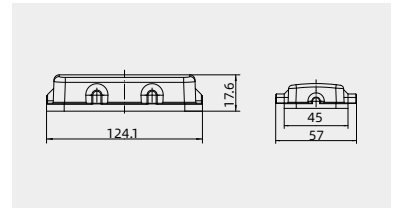


H

Protection covers, plastic



Connect way	Applications	Designation	Order No.
	for Housings, cable to cable	H24B-CV-4B/1	111 024 030 8001
	for Housings, bulkhead mounting / surface mounting	H24B-CV-4B/2	111 024 030 8002



24B Metal hoods/housings

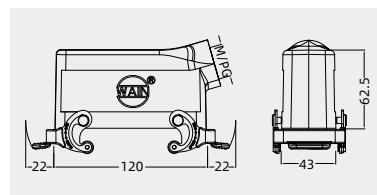
Degree of protection: IP65

Hoods, side entry



Thread	Designation	Order No.
M25	H24B-SE-2L/SC-M25	111 024 541 1003
M32	H24B-SE-2L/SC-M32	111 024 541 1004
PG21	H24B-SE-2L/SC-PG21	111 024 541 1011

Please refer to page 15-02 for choosing proper model of lock.

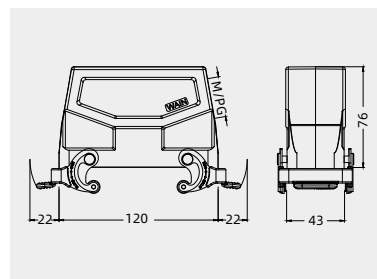


Hoods, side entry, high construction



Thread	Designation	Order No.
M32	W24B-SEH-2L/SC-M32	111 124 541 5001
M40	W24B-SEH-2L/SC-M40	111 124 541 5002
PG21	W24B-SEH-2L/SC-PG21	111 124 541 5003
PG29	W24B-SEH-2L/SC-PG29	111 124 541 5004
	with sleeve	
M32	W24B-SEH-2L/SC-M32 WS	111 124 541 5005
PG21	W24B-SEH-2L/SC-PG21 WS	111 124 541 5011
PG29	W24B-SEH-2L/SC-PG29 WS	111 124 541 5012

Please refer to page 15-02 for choosing proper model of lock.

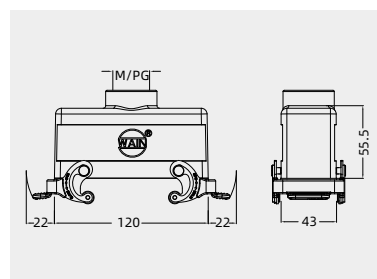


Hoods, top entry



Thread	Designation	Order No.
M25	H24B-TE-2L/SC-M25	111 024 441 1003
M32	H24B-TE-2L/SC-M32	111 024 441 1004
PG21	H24B-TE-2L/SC-PG21	111 024 441 1011
PG29	H24B-TE-2L/SC-PG29	111 024 441 1012

Please refer to page 15-02 for choosing proper model of lock.

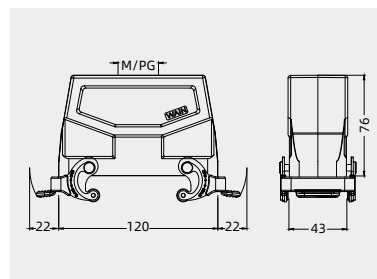


Hoods, top entry, high construction



Thread	Designation	Order No.
M32	W24B-TEH-2L/SC-M32	111 124 441 5001
M40	W24B-TEH-2L/SC-M40	111 124 441 5002
PG21	W24B-TEH-2L/SC-PG21	111 124 441 5003
PG29	W24B-TEH-2L/SC-PG29	111 124 441 5004
	with sleeve	
M32	W24B-TEH-2L/SC-M32 WS	111 124 441 5006
PG21	W24B-TEH-2L/SC-PG21 WS	111 124 441 5011
PG29	W24B-TEH-2L/SC-PG29 WS	111 124 441 5012

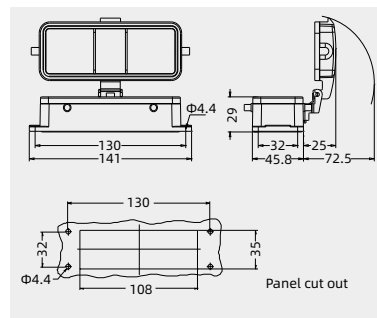
Please refer to page 15-02 for choosing proper model of lock.



Bulkhead mounted housings



Thread	Designation	Order No.
---	H24B-BK-4B	111 024 330 1001
	with plastic cover	
---	H24B-BK-4B-CV	111 024 370 1001
	with metal cover	
---	H24B-BK-4B-MCV	111 024 370 1101



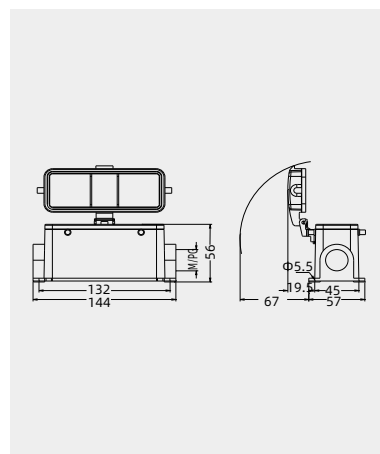
24B Metal hoods/housings

Degree of protection: IP65

Surface mounted housings



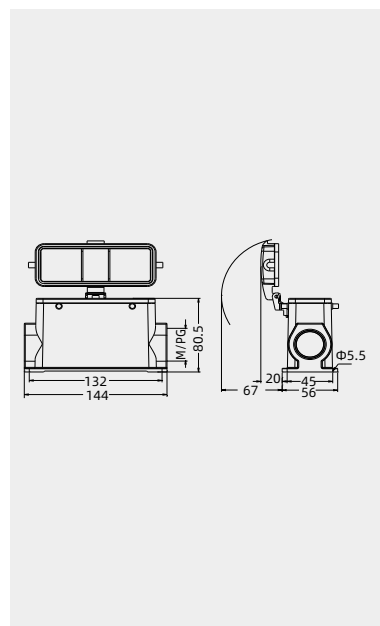
Thread	Designation	Order No.
M25	H24B-SF-4B-M25	111 024 230 1003
2M25	H24B-SF-4B-2M25	111 024 230 1023
PG21	H24B-SF-4B-PG21	111 024 230 1011
2PG21	H24B-SF-4B-2PG21	111 024 230 1031
	with plastic cover	
M25	H24B-SF-4B-CV-M25	111 024 270 1003
2M25	H24B-SF-4B-CV-2M25	111 024 270 1023
PG21	H24B-SF-4B-CV-PG21	111 024 270 1011
2PG21	H24B-SF-4B-CV-2PG21	111 024 270 1031
	with metal cover	
M25	H24B-SF-4B-MCV-M25	111 024 270 1103
2M25	H24B-SF-4B-MCV-2M25	111 024 270 1123
PG21	H24B-SF-4B-MCV-PG21	111 024 270 1111
2PG21	H24B-SF-4B-MCV-2PG21	111 024 270 1131



Surface mounted housings, high construction



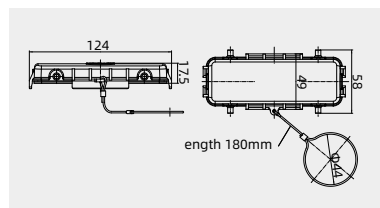
Thread	Designation	Order No.
M32	H24B-SFH-4B-M32	111 024 230 5004
2M32	H24B-SFH-4B-2M32	111 024 230 5024
PG21	H24B-SFH-4B-PG21	111 024 230 5011
2PG21	H24B-SFH-4B-2PG21	111 024 230 5031
PG29	H24B-SFH-4B-PG29	111 024 230 5012
2PG29	H24B-SFH-4B-2PG29	111 024 230 5032
	with plastic cover	
M32	H24B-SFH-4B-CV-M32	111 024 270 5004
2M32	H24B-SFH-4B-CV-2M32	111 024 270 5024
PG21	H24B-SFH-4B-CV-PG21	111 024 270 5011
2PG21	H24B-SFH-4B-CV-2PG21	111 024 270 5031
PG29	H24B-SFH-4B-CV-PG29	111 024 270 5012
2PG29	H24B-SFH-4B-CV-2PG29	111 024 270 5032
	with metal cover	
M32	H24B-SFH-4B-MCV-M32	111 024 270 5104
2M32	H24B-SFH-4B-MCV-2M32	111 024 270 5124
PG21	H24B-SFH-4B-MCV-PG21	111 024 270 5111
2PG21	H24B-SFH-4B-MCV-2PG21	111 024 270 5131
PG29	H24B-SFH-4B-MCV-PG29	111 024 270 5112
2PG29	H24B-SFH-4B-MCV-2PG29	111 024 270 5132



Protection covers, metal



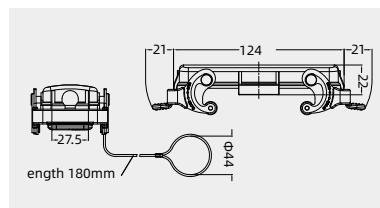
Connect way	Applications	Designation	Order No.
	for hoods	H24B-MCV-4B/1S	111 024 030 8103
	for housings, without sealing	H24B-MCV-4B/2	111 024 030 8102



Protection covers, metal



Connect way	Applications	Designation	Order No.
	for hoods	H24B-MCV-2L/SC.1S	111 024 041 8101
	or housings	H24B-MCV-2L/SC.2	111 024 041 8102



Please refer to page 15-02 for choosing proper model of lock.

24B Metal hoods/housings

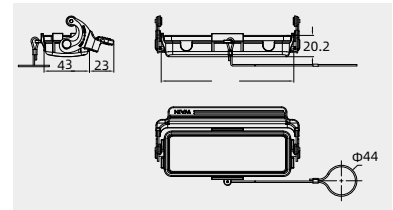
Degree of protection: IP65

Protection covers, metal



Connect way	Applications	Designation	Order No.
	for hoods	H24B-MCV-1L/SC.1S	111 024 021 1101

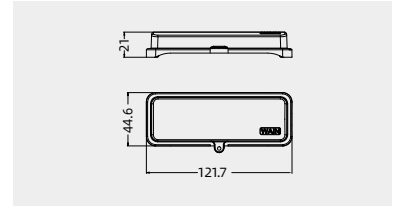
Please refer to page 15-02 for choosing proper model of lock.



Protection covers(IP5X)



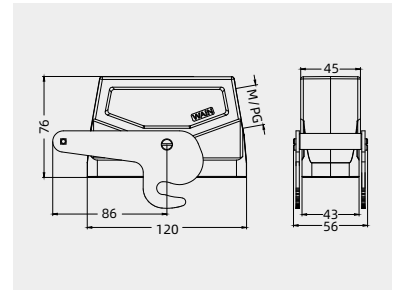
Thread	Applications	Designation	Order No.
---	for housings	24B-CV/C	111 024 000 8004



Hoods, side entry, high construction



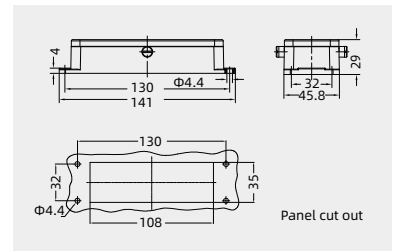
Thread	Designation	Order No.
M25	W24B-SEH-1L/C-M25	111 124 550 5001
M32	W24B-SEH-1L/C-M32	111 124 550 5002
M40	W24B-SEH-1L/C-M40	111 124 550 5003
PG21	W24B-SEH-1L/C-PG21	111 124 550 5004
PG29	W24B-SEH-1L/C-PG29	111 124 550 5005
	with sleeve	
M32	W24B-SEH-1L/C-M32 WS	111 124 555 5004
PG21	W24B-SEH-1L/C-PG21 WS	111 124 555 5011
PG29	W24B-SEH-1L/C-PG29 WS	111 124 555 5012



Bulkhead mounted housings



Thread	Designation	Order No.
---	H24B-BK-2B/C	111 024 355 1001



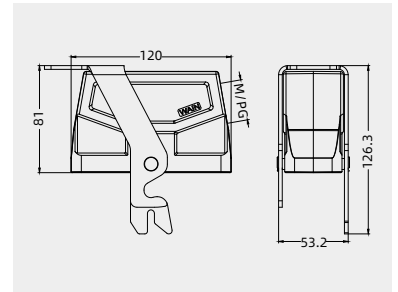
24B Metal hoods/housings

Degree of protection: IP65

Hoods, side entry, high construction



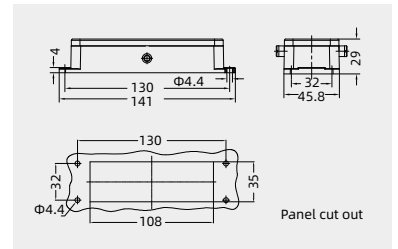
Thread	Designation	Order No.
M40	W24B-SEH-1L/B-M40	111 024 525 5105
PG29	W24B-SEH-1L/B-PG29 with sleeve	111 024 525 5112
M32	W24B-SEH-1L/B-M32 <i>WS</i>	111 124 529 5005
PG21	W24B-SEH-1L/B-PG21 <i>WS</i>	111 124 529 5004
PG29	W24B-SEH-1L/B-PG29 <i>WS</i>	111 124 525 5112



Bulkhead mounted housings



Thread	Designation	Order No.
---	H24B-BK-2B/B	111 024 315 1101



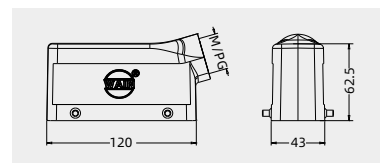
24B Metal hoods/housings -Suitable for harsh environment(anti-corrosion)

Degree of protection: IP65

Hoods, side entry



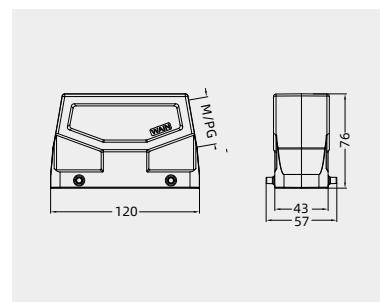
Thread	Designation	Order No.
M25	H24B-MSE-4B-M25	112 024 530 1003
M32	H24B-MSE-4B-M32	112 024 530 1004
PG21	H24B-MSE-4B-PG21	112 024 530 1011



Hoods, side entry, high construction



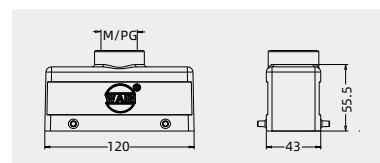
Thread	Designation	Order No.
M32	W24B-MSEH-4B-M32	112 124 530 5005
M40	W24B-MSEH-4B-M40	112 124 530 5006
PG21	W24B-MSEH-4B-PG21	112 124 530 5011
PG29	W24B-MSEH-4B-PG29	112 124 530 5007
	with sleeve	
M32	W24B-MSEH-4B-M32 WS	112 124 530 5004
PG21	W24B-MSEH-4B-PG21 WS	112 124 530 5013
PG29	W24B-MSEH-4B-PG29 WS	112 124 530 5012



Hoods, top entry



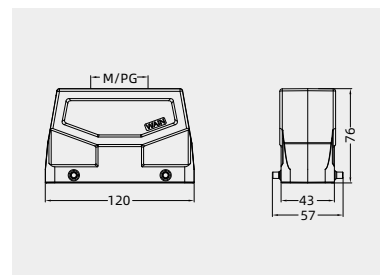
Thread	Designation	Order No.
M25	H24B-MTE-4B-M25	112 024 430 1003
M32	H24B-MTE-4B-M32	112 024 430 1004
PG21	H24B-MTE-4B-PG21	112 024 430 1011
PG29	H24B-MTE-4B-PG29	112 024 430 1005



Hoods, top entry, high construction



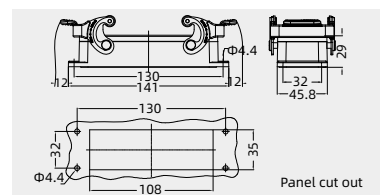
Thread	Designation	Order No.
M32	W24B-MTEH-4B-M32	112 124 430 5006
M40	W24B-MTEH-4B-M40	112 124 430 5007
PG21	W24B-MTEH-4B-PG21	112 124 430 5011
PG29	W24B-MTEH-4B-PG29	112 124 430 5008
	with sleeve	
M32	W24B-MTEH-4B-M32 WS	112 124 430 5004
PG21	W24B-MTEH-4B-PG21 WS	112 124 430 5010
PG29	W24B-MTEH-4B-PG29 WS	112 124 430 5012



Bulkhead mounted housings



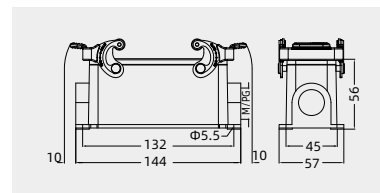
Thread	Designation	Order No.
---	H24B-MBK-2L/SC	112 024 341 1001



Surface mounted housings



Thread	Designation	Order No.
M25	H24B-MSF-2L/SC-M25	112 024 241 1003
2M25	H24B-MSF-2L/SC-2M25	112 024 241 1023
PG21	H24B-MSF-2L/SC-PG21	112 024 241 1011
2PG21	H24B-MSF-2L/SC-2PG21	112 024 241 1031



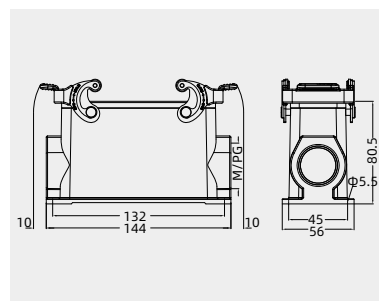
24B Metal hoods/housings
-Suitable for harsh environment(anti-corrosion)

Degree of protection: IP65

Surface mounted housings, high construction



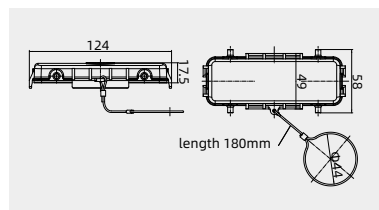
Thread	Designation	Order No.
M32	H24B-MSFH-2L/SC-M32	112 024 241 5004
2M32	H24B-MSFH-2L/SC-2M32	112 024 241 5024
M40	H24B-MSFH-2L/SC-M40	112 024 241 5005
PG21	H24B-MSFH-2L/SC-PG21	112 024 241 5011
2PG21	H24B-MSFH-2L/SC-2PG21	112 024 241 5031
PG29	H24B-MSFH-2L/SC-PG29	112 024 241 5012
2PG29	H24B-MSFH-2L/SC-2PG29	112 024 241 5032



Protection covers



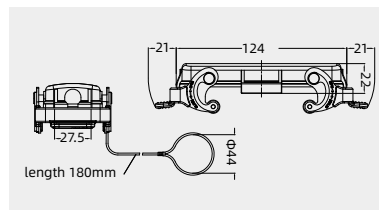
Connect way	Applications	Designation	Order No.
	for hoods	H24B-MMCV-4B/1	112 024 030 8001
	for housings	H24B-MMCV-4B/2	112 024 030 8002



Protection covers



Connect way	Applications	Designation	Order No.
	for hoods	H24B-MMCV-2L/SC.1S	112 024 041 8001
	for housings	H24B-MMCV-2L/SC.2	112 024 041 8002



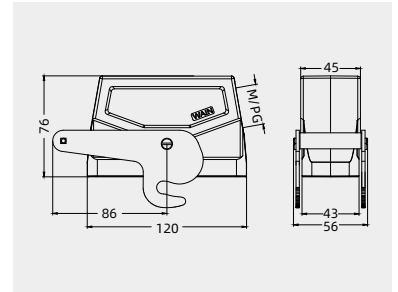
24B Metal hoods/housings
-Suitable for harsh environment(anti-corrosion)

Degree of protection: IP65

Hoods, side entry, high construction



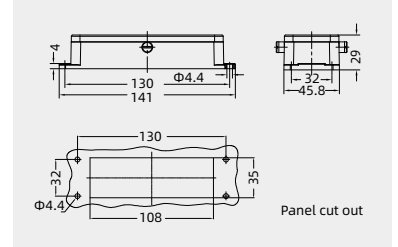
Thread	Designation	Order No.
M32	W24B-MSEH-1L/C-M32	112 124 550 5006
PG21	W24B-MSEH-1L/C-PG21	112 124 555 5011
PG29	W24B-MSEH-1L/C-PG29	112 124 550 5007
	with sleeve	
M32	W24B-MSEH-1L/C-M32 <i>WS</i>	112 124 555 5004
PG21	W24B-MSEH-1L/C-PG21 <i>WS</i>	112 124 555 5013
PG29	W24B-MSEH-1L/C-PG29 <i>WS</i>	112 124 555 5012



Bulkhead mounted housings



Thread	Designation	Order No.
---	H24B-MBK-2B/C	112 024 350 1001



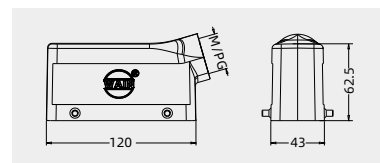
24B EMC Metal hoods/housings

Degree of protection: IP65

Hoods, side entry



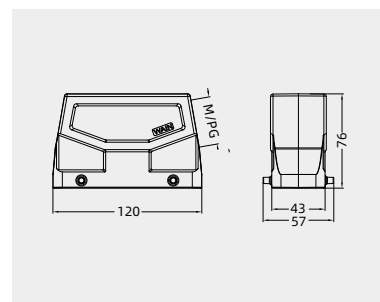
Thread	Designation	Order No.
M25	EMC.H24B-SE-4B-M25	111 624 530 1005
M32	EMC.H24B-SE-4B-M32	111 624 535 1004
PG21	EMC.H24B-SE-4B-PG21	111 624 503 1501



Hoods, side entry, high construction



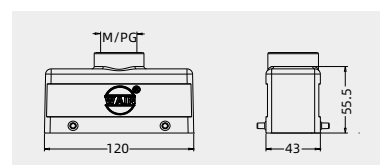
Thread	Designation	Order No.
---	EMC.W24B-BEH-4B	111 224 930 5004
M32	EMC.W24B-SEH-4B-M32	111 224 530 5008
M40	EMC.W24B-SEH-4B-M40	111 224 530 5009
PG21	EMC.W24B-SEH-4B-PG21	111 224 530 5006
PG29	EMC.W24B-SEH-4B-PG29	111 224 530 5010
	with sleeve	
M32	EMC.W24B-SEH-4B-M32 WS	111 124 535 5501
PG21	EMC.W24B-SEH-4B-PG21 WS	111 224 535 5001
PG29	EMC.W24B-SEH-4B-PG29 WS	111 124 535 5013



Hoods, top entry



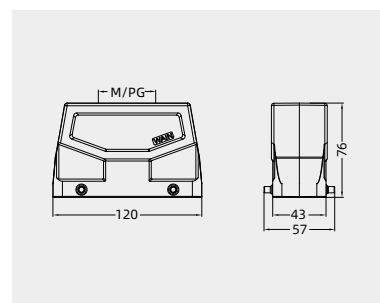
Thread	Designation	Order No.
M25	EMC.H24B-TE-4B-M25	111 624 435 1003
M32	EMC.H24B-TE-4B-M32	111 624 435 1004
PG21	EMC.H24B-TE-4B-PG21	111 624 435 1011
PG29	EMC.H24B-TE-4B-PG29	111 624 435 1012



Hoods, top entry, high construction



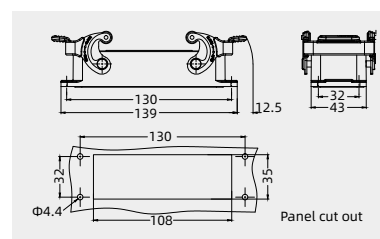
Thread	Designation	Order No.
---	EMC.W24B-BEH-4B	111 224 930 5004
M32	EMC.W24B-TEH-4B-M32	111 224 430 5009
M40	EMC.W24B-TEH-4B-M40	111 224 430 5010
PG21	EMC.W24B-TEH-4B-PG21	111 224 430 5001
PG29	EMC.W24B-TEH-4B-PG29	111 224 430 5011
	with sleeve	
M32	EMC.W24B-TEH-4B-M32 WS	111 124 435 5501
PG21	EMC.W24B-TEH-4B-PG21 WS	111 124 435 5502
PG29	EMC.W24B-TEH-4B-PG29 WS	111 124 435 5015



Bulkhead mounted housings



Thread	Designation	Order No.
---	EMC1.H24B-BK-2L/ SC	111 624 341 1501



Please refer to page 15-02 for choosing proper model of lock.

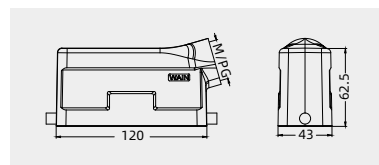
24B Metal hoods/housings

Degree of protection: IP67

Hoods, side entry



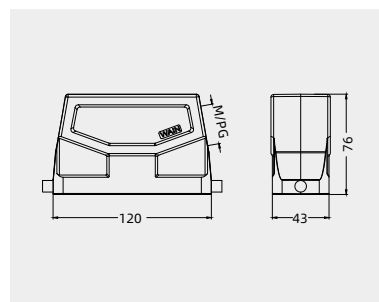
Thread	Designation	Order No.
M25	W24B-SE-2B-M25	111 124 510 1001
M32	W24B-SE-2B-M32	111 124 510 1002
PG21	W24B-SE-2B-PG21	111 124 510 1003



Hoods, side entry, high construction



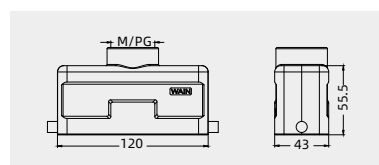
Thread	Designation	Order No.
---	W24B-BEH-2B	111 124 910 5002
M32	W24B-SEH-2B-M32	111 124 510 5001
M40	W24B-SEH-2B-M40	111 124 510 5002
PG21	W24B-SEH-2B-PG21	111 124 510 5003
PG29	W24B-SEH-2B-PG29	111 124 510 5004
	with sleeve	
M32	W24B-SEH-2B-M32 WS	111 124 515 5004
PG21	W24B-SEH-2B-PG21 WS	111 124 515 5011
PG29	W24B-SEH-2B-PG29 WS	111 124 515 5012



Hoods, top entry



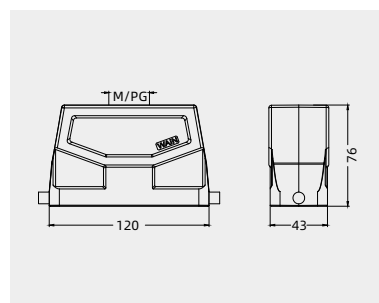
Thread	Designation	Order No.
M25	W24B-TE-2B-M25	111 124 410 1001
M32	W24B-TE-2B-M32	111 124 410 1002
PG21	W24B-TE-2B-PG21	111 124 410 1003
PG29	W24B-TE-2B-PG29	111 124 410 1004



Hoods, top entry, high construction



Thread	Designation	Order No.
---	W24B-BEH-2B	111 124 910 5002
M32	W24B-TEH-2B-M32	111 124 410 5001
M40	W24B-TEH-2B-M40	111 124 410 5002
PG21	W24B-TEH-2B-PG21	111 124 410 5003
PG29	W24B-TEH-2B-PG29	111 124 410 5004
	with sleeve	
M32	W24B-TEH-2B-M32 WS	111 124 415 5004
PG21	W24B-TEH-2B-PG21 WS	111 124 415 5011
PG29	W24B-TEH-2B-PG29 WS	111 124 415 5012



24B Metal hoods/housings

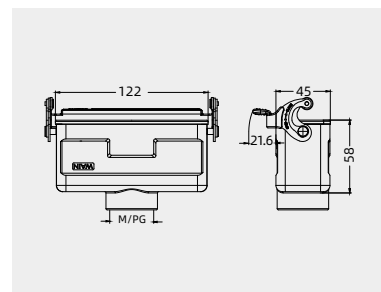
Degree of protection: IP67

Housings, cable to cable



Thread	Designation	Order No.
M25	W24B-CCT-1L/SC-M25	111 124 721 1001
M32	W24B-CCT-1L/SC-M32	111 124 721 1002
PG21	W24B-CCT-1L/SC-PG21	111 124 721 1003
PG29	W24B-CCT-1L/SC-PG29	111 124 721 1004

Please refer to page 15-02 for choosing proper model of lock.

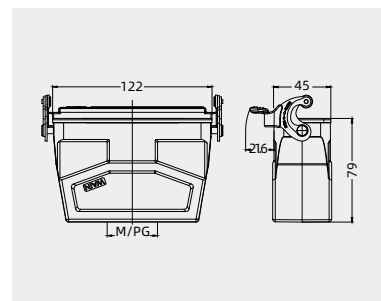


Housings, cable to cable, high construction



Thread	Designation	Order No.
M32	W24B-CCTH-1L/SC-M32	111 124 721 5002
M40	W24B-CCTH-1L/SC-M40	111 124 721 5003
PG21	W24B-CCTH-1L/SC-PG21	111 124 721 5004
PG29	W24B-CCTH-1L/SC-PG29	111 124 721 5005
	with sleeve	
M32	W24B-CCTH-1L/SC-M32 WS	111 124 721 5006
PG21	W24B-CCTH-1L/SC-PG21 WS	111 124 721 5011
PG29	W24B-CCTH-1L/SC-PG29 WS	111 124 721 5012

Please refer to page 15-02 for choosing proper model of lock.

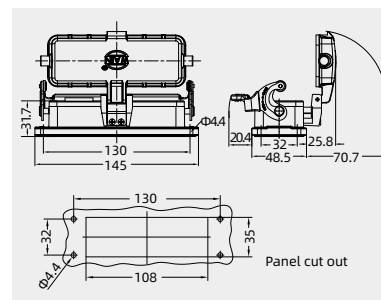


Bulkhead mounted housings



Thread	Designation	Order No.
---	W24B-BK-1L/SC	111 124 321 1001
	with plastic cover	
---	W24B-BK-1L/SC-CV	111 124 321 8001
	with metal cover	
---	W24B-BK-1L/SC-MCV	111 124 321 8002

Please refer to page 15-02 for choosing proper model of lock.



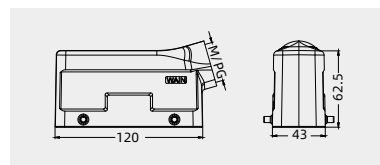
24B Metal hoods/housings

Degree of protection: IP67

Hoods, side entry



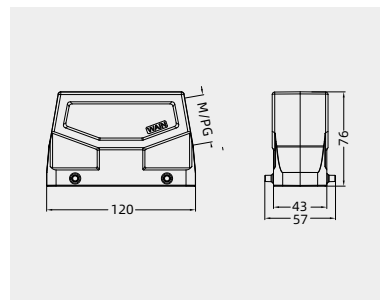
Thread	Designation	Order No.
M25	W24B-SE-4B-M25	111 124 530 1001
M32	W24B-SE-4B-M32	111 124 530 1002
PG21	W24B-SE-4B-PG21	111 124 530 1003



Hoods, side entry, high construction



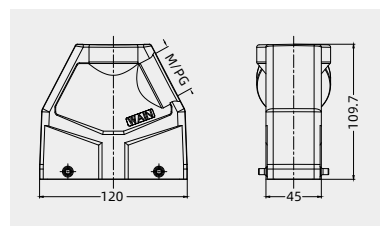
Thread	Designation	Order No.
---	W24B-BEH-4B	111 124 930 5003
M32	W24B-SEH-4B-M32	111 124 530 5001
M40	W24B-SEH-4B-M40	111 124 530 5002
PG21	W24B-SEH-4B-PG21	111 124 530 5003
PG29	W24B-SEH-4B-PG29	111 124 530 5004
	with sleeve	
M32	W24B-SEH-4B-M32 WS	111 124 530 5008
PG21	W24B-SEH-4B-PG21 WS	111 124 530 5011
PG29	W24B-SEH-4B-PG29 WS	111 124 530 5012



Hoods, side entry, high construction



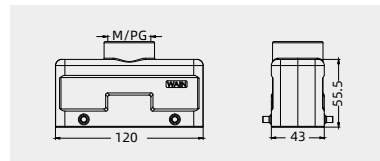
Thread	Designation	Order No.
M50	W24B-SEH-4B-M50	111 124 530 5006
PG36	W24B-SEH-4B-PG36	111 124 530 5013

Suitable for cable with maximum OD Φ 32mm

Hoods, top entry



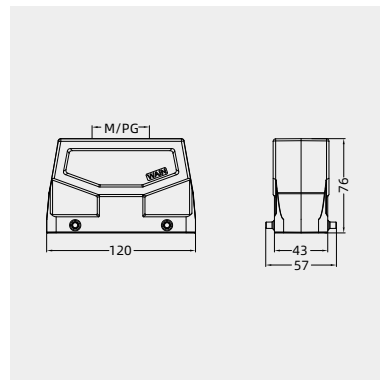
Thread	Designation	Order No.
M25	W24B-TE-4B-M25	111 124 430 1001
M32	W24B-TE-4B-M32	111 124 430 1002
PG21	W24B-TE-4B-PG21	111 124 430 1003
PG29	W24B-TE-4B-PG29	111 124 430 1004



Hoods, top entry, high construction



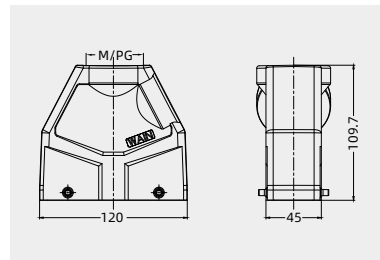
Thread	Designation	Order No.
---	W24B-BEH-4B	111 124 930 5003
M32	W24B-TEH-4B-M32	111 124 430 5001
M40	W24B-TEH-4B-M40	111 124 430 5002
PG21	W24B-TEH-4B-PG21	111 124 430 5003
PG29	W24B-TEH-4B-PG29	111 124 430 5004
2M32	W24B-TEH-4B-2M32	111 124 430 5005
	with sleeve	
M32	W24B-TEH-4B-M32 WS	111 124 430 5014
PG21	W24B-TEH-4B-PG21 WS	111 124 430 5011
PG29	W24B-TEH-4B-PG29 WS	111 124 430 5010



Hoods, top entry, high construction



Thread	Designation	Order No.
M50	W24B-TEH-4B-M50	111 124 430 5006
PG36	W24B-TEH-4B-PG36	111 124 430 5013

Suitable for cable with maximum OD Φ 32mm

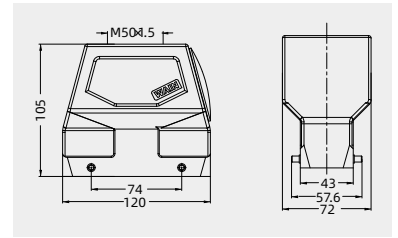
24B Metal hoods/housings

Degree of protection: IP67

Hoods, top entry, high construction



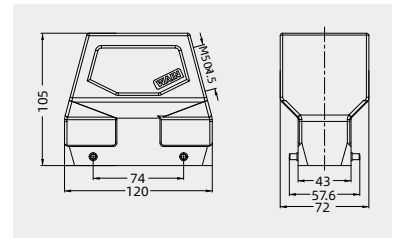
Thread	Designation	Order No.
M50	W24B.C-TEH/E-4B-M50	111 124 430 5007



Hoods, side entry, high construction



Thread	Designation	Order No.
M50	W24B.C-SEH/E-4B-M50	111 124 530 5005



24B Metal hoods/housings

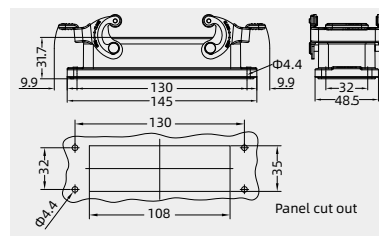
Degree of protection: IP67

Bulkhead mounted housings



Thread	Designation	Order No.
---	W24B-BK-2L/SC	111 124 341 1002

Please refer to page 15-02 for choosing proper model of lock.



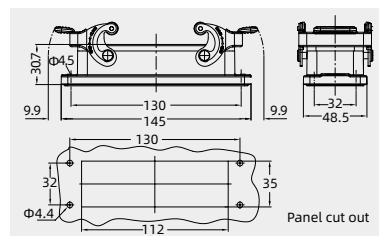
Bulkhead Mounted Housings

(Assemble the inserts in reverse direction)



Thread	Designation	Order No.
---	W24B-RBK-2L/SC	111 124 341 1003

Please refer to page 15-02 for choosing proper model of lock.

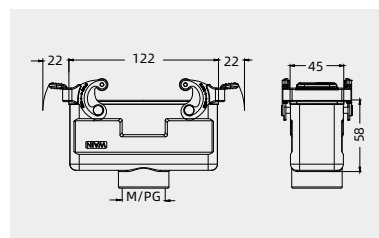


Housings, cable to cable



Thread	Designation	Order No.
M25	W24B-CCT-2L/SC-M25	111 124 741 1001
M32	W24B-CCT-2L/SC-M32	111 124 741 1002
PG21	W24B-CCT-2L/SC-PG21	111 124 741 1003
PG29	W24B-CCT-2L/SC-PG29	111 124 741 1004

Please refer to page 15-02 for choosing proper model of lock.

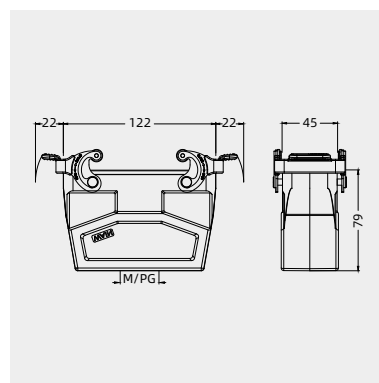


Housings, cable to cable, high construction



Thread	Designation	Order No.
M32	W24B-CCTH-2L/SC-M32	111 124 741 5002
M40	W24B-CCTH-2L/SC-M40	111 124 741 5003
PG21	W24B-CCTH-2L/SC-PG21	111 124 741 5004
PG29	W24B-CCTH-2L/SC-PG29	111 124 741 5005
	with sleeve	
M32	W24B-CCTH-2L/SC-M32 WS	111 124 741 5010
PG21	W24B-CCTH-2L/SC-PG21 WS	111 124 741 5011
PG29	W24B-CCTH-2L/SC-PG29 WS	111 124 741 5012

Please refer to page 15-02 for choosing proper model of lock.



24B Metal hoods/housings

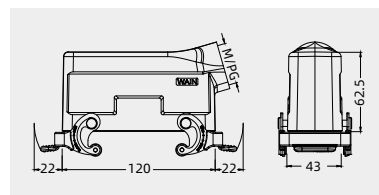
Degree of protection: IP67

Hoods, side entry



Thread	Designation	Order No.
M25	W24B-SE-2L/SC-M25	111 124 541 1001
M32	W24B-SE-2L/SC-M32	111 124 541 1002
PG21	W24B-SE-2L/SC-PG21	111 124 541 1003

Please refer to page 15-02 for choosing proper model of lock.

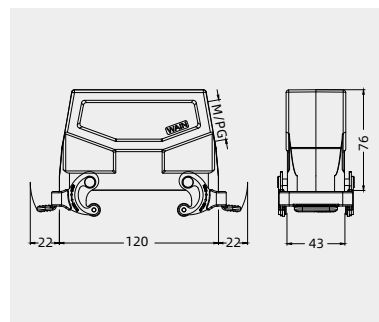


Hoods, side entry, high construction



Thread	Designation	Order No.
M32	W24B-SEH-2L/SC-M32	111 124 541 5001
M40	W24B-SEH-2L/SC-M40	111 124 541 5002
PG21	W24B-SEH-2L/SC-PG21	111 124 541 5003
PG29	W24B-SEH-2L/SC-PG29	111 124 541 5004
	with sleeve	
M32	W24B-SEH-2L/SC-M32 WS	111 124 541 5005
PG21	W24B-SEH-2L/SC-PG21 WS	111 124 541 5011
PG29	W24B-SEH-2L/SC-PG29 WS	111 124 541 5012

Please refer to page 15-02 for choosing proper model of lock.

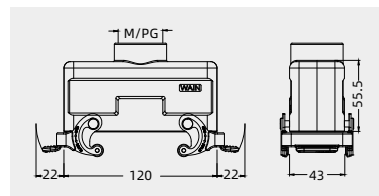


Hoods, top entry



Thread	Designation	Order No.
M25	W24B-TE-2L/SC-M25	111 124 441 1001
M32	W24B-TE-2L/SC-M32	111 124 441 1002
PG21	W24B-TE-2L/SC-PG21	111 124 441 1003
PG29	W24B-TE-2L/SC-PG29	111 124 441 1004

Please refer to page 15-02 for choosing proper model of lock.

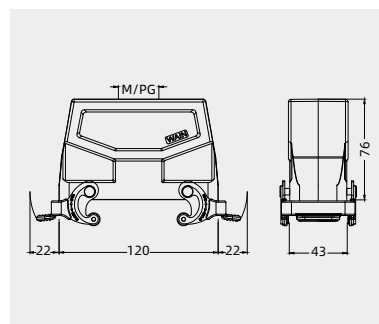


Hoods, top entry, high construction



Thread	Designation	Order No.
M32	W24B-TEH-2L/SC-M32	111 124 441 5001
M40	W24B-TEH-2L/SC-M40	111 124 441 5002
PG21	W24B-TEH-2L/SC-PG21	111 124 441 5003
PG29	W24B-TEH-2L/SC-PG29	111 124 441 5004
	with sleeve	
M32	W24B-TEH-2L/SC-M32 WS	111 124 441 5006
PG21	W24B-TEH-2L/SC-PG21 WS	111 124 441 5011
PG29	W24B-TEH-2L/SC-PG29 WS	111 124 441 5012

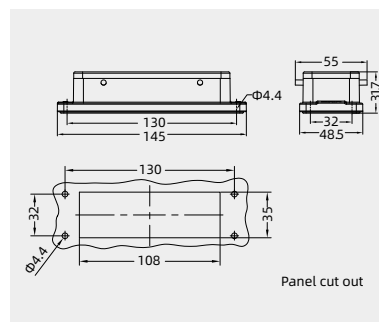
Please refer to page 15-02 for choosing proper model of lock.



Bulkhead mounted housings



Thread	Designation	Order No.
---	W24B-BK-4B	111 124 330 1001



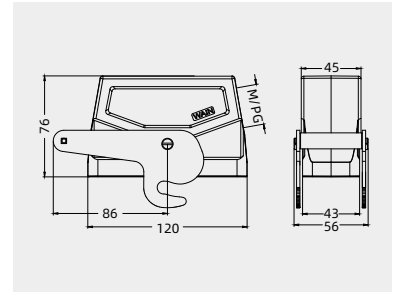
24B Metal hoods/housings

Degree of protection: IP67

Hoods, side entry, high construction



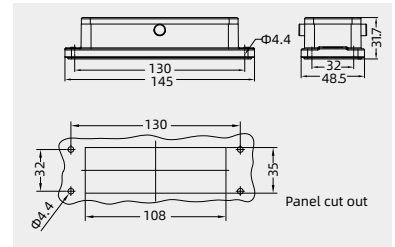
Thread	Designation	Order No.
M25	W24B-SEH-1L/C-M25	111 124 550 5001
M32	W24B-SEH-1L/C-M32	111 124 550 5002
M40	W24B-SEH-1L/C-M40	111 124 550 5003
PG21	W24B-SEH-1L/C-PG21	111 124 550 5004
PG29	W24B-SEH-1L/C-PG29 with sleeve	111 124 550 5005
M32	W24B-SEH-1L/C-M32 WS	111 124 555 5004
PG21	W24B-SEH-1L/C-PG21 WS	111 124 555 5011
PG29	W24B-SEH-1L/C-PG29 WS	111 124 555 5012



Bulkhead mounted housings



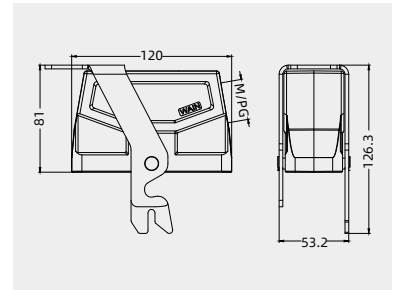
Thread	Designation	Order No.
---	W24B-BK-2B/C	111 024 350 1001



Hoods, side entry, high construction



Thread	Designation	Order No.
M40	W24B-SEH-1L/B-M40	111 124 529 5001
PG29	W24B-SEH-1L/B-PG29 with sleeve	111 124 529 5002
M32	W24B-SEH-1L/B-M32 WS	111 124 529 5005
PG21	W24B-SEH-1L/B-PG21 WS	111 124 529 5004
PG29	W24B-SEH-1L/B-PG29 WS	111 124 525 5112



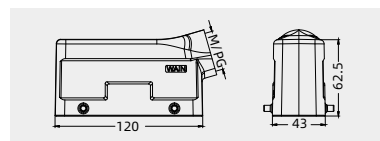
24B Metal hoods/housings -Suitable for harsh environment(anti-corrosion)

Degree of protection: IP67

Hoods, side entry



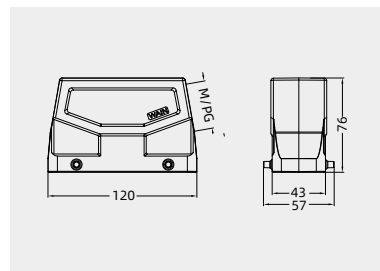
Thread	Designation	Order No.
M25	W24B-MSE-4B-M25	112 124 530 1001
M32	W24B-MSE-4B-M32	112 124 530 1004
PG21	W24B-MSE-4B-PG21	112 124 530 1002



Hoods, side entry, high construction



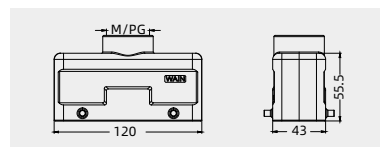
Thread	Designation	Order No.
M32	W24B-MSEH-4B-M32	112 124 530 5005
M40	W24B-MSEH-4B-M40	112 124 530 5006
PG21	W24B-MSEH-4B-PG21	112 124 530 5011
PG29	W24B-MSEH-4B-PG29	112 124 530 5007
	with sleeve	
M32	W24B-MSEH-4B-M32 WS	112 124 530 5004
PG21	W24B-MSEH-4B-PG21 WS	112 124 530 5013
PG29	W24B-MSEH-4B-PG29 WS	112 124 530 5012



Hoods, top entry



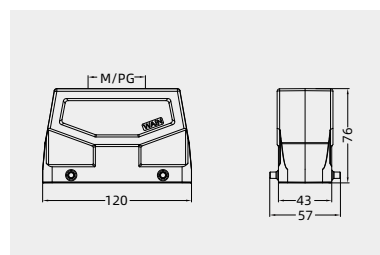
Thread	Designation	Order No.
M25	W24B-MTE-4B-M25	112 124 530 1003
M32	W24B-MTE-4B-M32	112 124 430 1005
PG21	W24B-MTE-4B-PG21	112 124 430 1004
PG29	W24B-MTE-4B-PG29	112 124 430 1003



Hoods, top entry, high construction



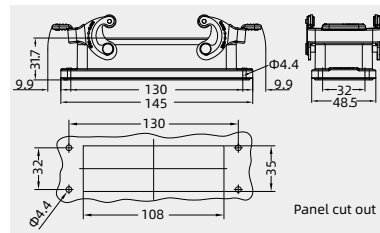
Thread	Designation	Order No.
M32	W24B-MTEH-4B-M32	112 124 430 5006
M40	W24B-MTEH-4B-M40	112 124 430 5007
PG21	W24B-MTEH-4B-PG21	112 124 430 5011
PG29	W24B-MTEH-4B-PG29	112 124 430 5008
	with sleeve	
M32	W24B-MTEH-4B-M32 WS	112 124 430 5004
PG21	W24B-MTEH-4B-PG21 WS	112 124 430 5010
PG29	W24B-MTEH-4B-PG29 WS	112 124 430 5012



Bulkhead mounted housings



Thread	Designation	Order No.
---	W24B-MBK-2L/SC	112 124 311 1001

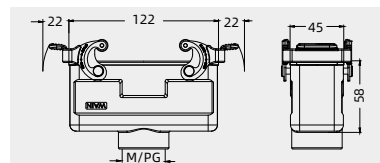


Housings, cable to cable



Thread	Designation	Order No.
M25	W24B-MCCT-2L/SC-M25	112 124 741 1003
M32	W24B-MCCT-2L/SC-M32	112 124 741 1004
PG21	W24B-MCCT-2L/SC-PG21	112 124 741 1005
PG29	W24B-MCCT-2L/SC-PG29	112 124 741 1006

Please refer to page 15-02 for choosing proper model of lock.

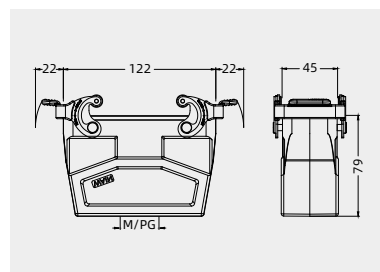


Housings, cable to cable, high construction



Thread	Designation	Order No.
M32	W24B-MCCTH-2L/SC-M32	112 124 741 5004
M40	W24B-MCCTH-2L/SC-M40	112 124 741 5005
PG21	W24B-MCCTH-2L/SC-PG21	112 124 741 5011
PG29	W24B-MCCTH-2L/SC-PG29	112 124 741 5012
	with sleeve	
M32	W24B-MCCTH-2L/SC-M32 WS	112 124 741 5003
PG21	W24B-MCCTH-2L/SC-PG21 WS	112 124 741 5001
PG29	W24B-MCCTH-2L/SC-PG29 WS	112 124 741 5002

Please refer to page 15-02 for choosing proper model of lock.



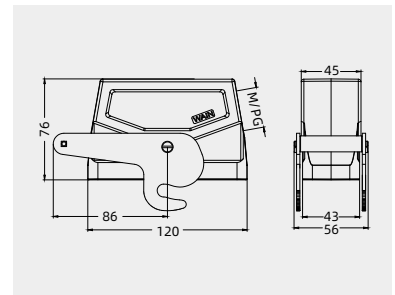
24B Metal hoods/housings -Suitable for harsh environment(anti-corrosion)

Degree of protection: IP67

Hoods, side entry, high construction



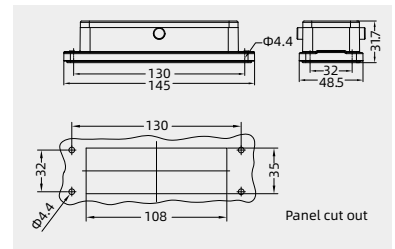
Thread	Designation	Order No.
M32	W24B-MSEH-1L/C-M32	112 124 550 5006
PG21	W24B-MSEH-1L/C-PG21	112 124 555 5011
PG29	W24B-MSEH-1L/C-PG29 with sleeve	112 124 550 5007
M32	W24B-MSEH-1L/C-M32 WS	112 124 555 5004
PG21	W24B-MSEH-1L/C-PG21 WS	112 124 555 5013
PG29	W24B-MSEH-1L/C-PG29 WS	112 124 555 5012



Bulkhead mounted housings



Thread	Designation	Order No.
---	W24B-MBK-2B/C	112 124 350 1001



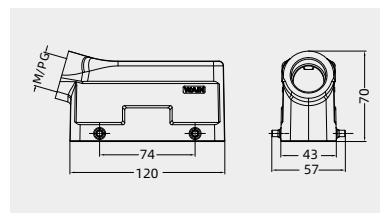
24B EMC Metal hoods/housings

Degree of protection: IP67

Hoods, side entry



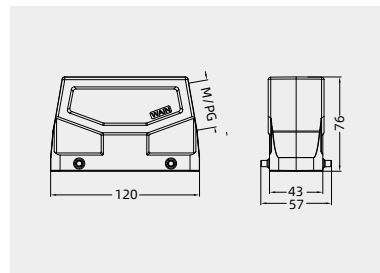
Thread	Designation	Order No.
M25	EMC.W24B-SE-4B-M25	111 224 530 1001
M32	EMC.W24B-SE-4B-M32	111 224 530 1002
PG21	EMC.W24B-SE-4B-PG21	111 224 530 1003



Hoods, side entry, high construction



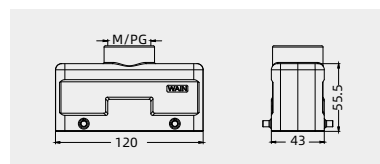
Thread	Designation	Order No.
---	EMC.W24B-BEH-4B	111 224 930 5004
M32	EMC.W24B-SEH-4B-M32	111 224 530 5008
M40	EMC.W24B-SEH-4B-M40	111 224 530 5009
PG21	EMC.W24B-SEH-4B-PG21	111 224 530 5006
PG29	EMC.W24B-SEH-4B-PG29	111 224 530 5010
	with sleeve	
M32	EMC.W24B-SEH-4B-M32 <i>WS</i>	111 124 535 5501
PG21	EMC.W24B-SEH-4B-PG21 <i>WS</i>	111 224 535 5001
PG29	EMC.W24B-SEH-4B-PG29 <i>WS</i>	111 124 535 5013



Hoods, top entry



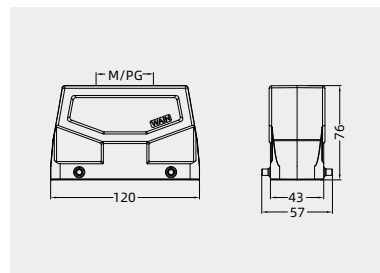
Thread	Designation	Order No.
M25	EMC.W24B-TE-4B-M25	111 224 430 1001
M32	EMC.W24B-TE-4B-M32	111 224 430 1002
PG21	EMC.W24B-TE-4B-PG21	111 224 430 1003
PG29	EMC.W24B-TE-4B-PG29	111 224 430 1004



Hoods, top entry, high construction



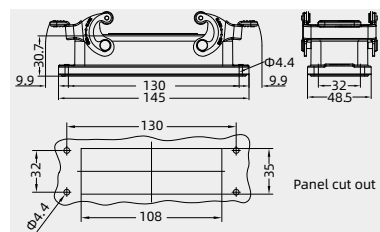
Thread	Designation	Order No.
---	EMC.W24B-BEH-4B	111 224 930 5004
M32	EMC.W24B-TEH-4B-M32	111 224 430 5009
M40	EMC.W24B-TEH-4B-M40	111 224 430 5010
PG21	EMC.W24B-TEH-4B-PG21	111 224 430 5001
PG29	EMC.W24B-TEH-4B-PG29	111 224 430 5011
	with sleeve	
M32	EMC.W24B-TEH-4B-M32 <i>WS</i>	111 124 435 5501
PG21	EMC.W24B-TEH-4B-PG21 <i>WS</i>	111 124 435 5502
PG29	EMC.W24B-TEH-4B-PG29 <i>WS</i>	111 124 435 5015



Bulkhead mounted housings



Thread	Designation	Order No.
---	EMC1.W24B-BK-2L/SC	111 124 341 1001



Please refer to page 15-02 for choosing proper model of lock.

24B Pressure tight hoods/housings

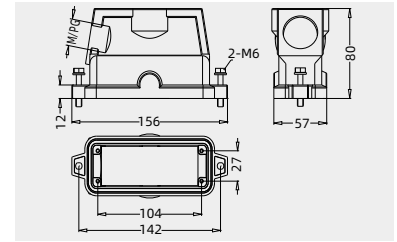
Degree of protection: IP67

W version

Hoods, side entry, high construction



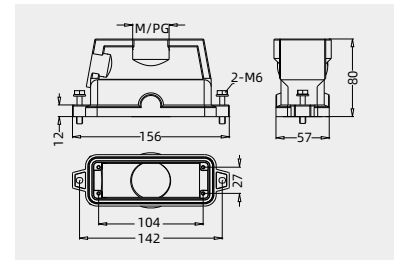
Thread	Designation	Order No.
M25	HP24B-SEH-2S-M25	115 024 520 5103
M32	HP24B-SEH-2S-M32	115 024 520 5104
M40	HP24B-SEH-2S-M40	115 024 520 5105
PG21	HP24B-SEH-2S-PG21	115 024 520 5111
PG29	HP24B-SEH-2S-PG29	115 024 520 5112



Hoods, top entry, high construction



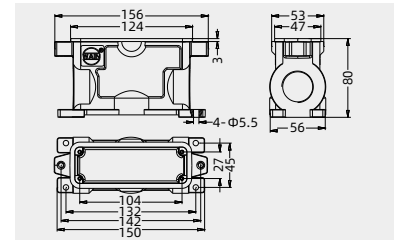
Thread	Designation	Order No.
M25	HP24B-TEH-2S-M25	115 024 420 5103
M32	HP24B-TEH-2S-M32	115 024 420 5104
M40	HP24B-TEH-2S-M40	115 024 420 5105
M50	HP24B-TEH-2S-M50	115 024 420 5106
PG21	HP24B-TEH-2S-PG21	115 024 420 5111
PG29	HP24B-TEH-2S-PG29	115 024 420 5112
PG36	HP24B-TEH-2S-PG36	115 024 420 5113



Surface mounted housings, high construction



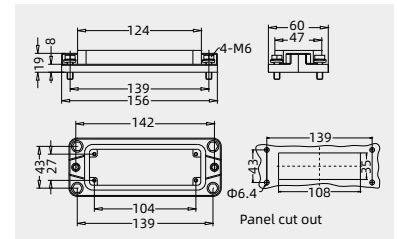
Thread	Designation	Order No.
M25	HP24B-SFH-2H-M25	115 024 220 5003
M32	HP24B-SFH-2H-M32	115 024 220 5004
M40	HP24B-SFH-2H-M40	115 024 220 5005
PG21	HP24B-SFH-2H-PG21	115 024 220 5011
PG29	HP24B-SFH-2H-PG29	115 024 220 5012



Bulkhead mounted housings



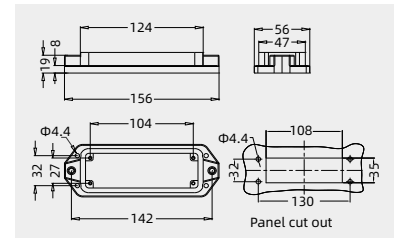
Thread	Designation	Order No.
---	HP24B-BK-2H	115 024 320 1001



Bulkhead mounted housings



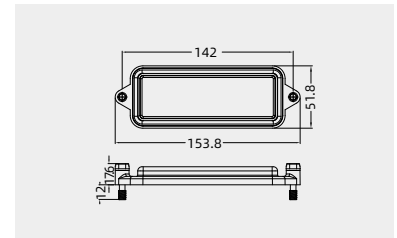
Thread	Designation	Order No.
---	HP24B-BK/S-2H	115 024 320 1101



Protection covers, plastic



Connect way	Designation	Order No.
---	HP24B-CV-2S/2	115 024 020 8002



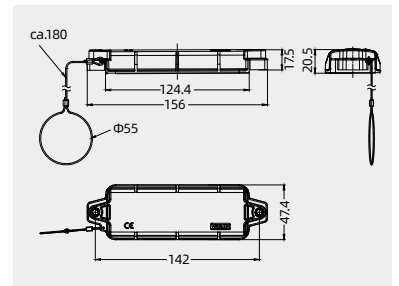
24B Pressure tight hoods/housings

Degree of protection: IP68/IP69K

W version

Protection covers, plastic,
for hoods

Connect way	Designation	Order No.
---	HP24B-CV-2H/1	115 024 020 8500



24B Pressure tight hoods/housings

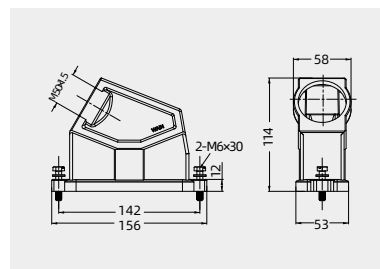
Degree of protection: IP68/IP69K

W version

Hoods, side entry, high construction



Thread	Designation	Order No.
M50	HP24B-SEHH-2S-M50	115 024 520 5106



24B Pressure tight hoods/housings

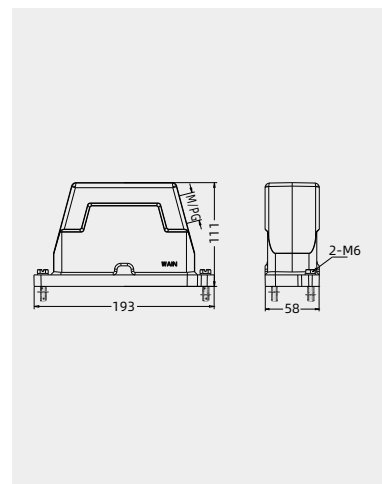
Degree of protection: IP68/IP69K

H version

Hoods, side entry, high construction



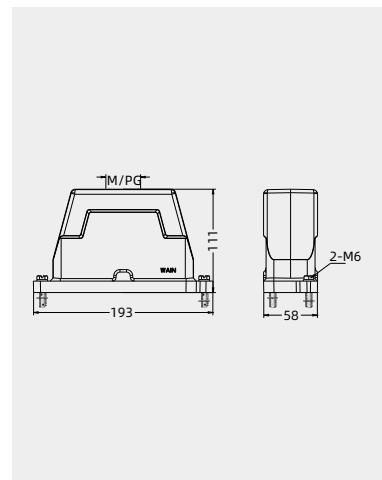
Thread	Designation	Order No.
	Screw locking	
M25	HP24B/H-SEH-2S-M25	113 624 520 5003
M32	HP24B/H-SEH-2S-M32	113 624 520 5004
M40	HP24B/H-SEH-2S-M40	113 624 520 5005
M50	HP24B/H-SEH-2S-M50	113 624 520 5006
PG21	HP24B/H-SEH-2S-PG21	113 624 520 5011
PG29	HP24B/H-SEH-2S-PG29	113 624 520 5012
PG36	HP24B/H-SEH-2S-PG36	113 624 520 5013
	Toggle locking	
M25	HP24B/H-SEH-2T-M25	113 624 540 5003
M32	HP24B/H-SEH-2T-M32	113 624 540 5004
M40	HP24B/H-SEH-2T-M40	113 624 540 5005
M50	HP24B/H-SEH-2T-M50	113 624 540 5006
PG21	HP24B/H-SEH-2T-PG21	113 624 540 5011
PG29	HP24B/H-SEH-2T-PG29	113 624 540 5012
PG36	HP24B/H-SEH-2T-PG36	113 624 540 5013



Hoods, top entry, high construction



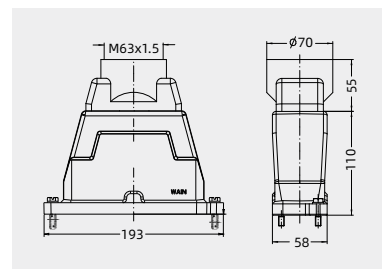
Thread	Designation	Order No.
	Screw locking	
M25	HP24B/H-TEH-2S-M25	113 624 420 5003
M32	HP24B/H-TEH-2S-M32	113 624 420 5004
M40	HP24B/H-TEH-2S-M40	113 624 420 5005
M50	HP24B/H-TEH-2S-M50	113 624 420 5006
PG21	HP24B/H-TEH-2S-PG21	113 624 420 5011
PG29	HP24B/H-TEH-2S-PG29	113 624 420 5012
PG36	HP24B/H-TEH-2S-PG36	113 624 420 5013
	Toggle locking	
M25	HP24B/H-TEH-2T-M25	113 624 440 5003
M32	HP24B/H-TEH-2T-M32	113 624 440 5004
M40	HP24B/H-TEH-2T-M40	113 624 440 5005
M50	HP24B/H-TEH-2T-M50	113 624 440 5006
PG21	HP24B/H-TEH-2T-PG21	113 624 440 5011
PG29	HP24B/H-TEH-2T-PG29	113 624 440 5012
PG36	HP24B/H-TEH-2T-PG36	113 624 440 5013



Hoods, top entry, high construction



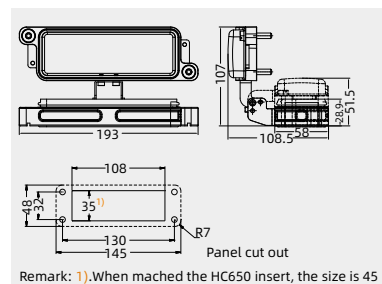
Thread	Designation	Order No.
	Screw locking	
M63	HP24B/H-TEH-2S-M63	113 624 420 5007
	Toggle locking	
M63	HP24B/H-TEH-2T-M63	113 624 440 5007



Bulkhead mounted housings



Thread	Designation	Order No.
	Screw locking	
---	HP24B/H-BK-2H	113 624 320 1001
	Toggle locking	
---	HP24B/H-BK-2T	113 624 340 1001
	with metal cover	
	Screw locking	
---	HP24B/H-BK-2H-MCV	113 624 360 1001
	Toggle locking	
---	HP24B/H-BK-2T-MCV	113 624 370 1001



Remark: 1) When mated the HC650 insert, the size is 45

Degree of protection: IP68/IP69K

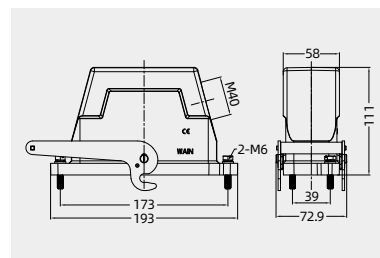
H version

Hoods, side entry, high construction



Thread	Designation	Order No.
M40	HP24B/H-SEH-2S-1L/C-M40	113 624 520 5509

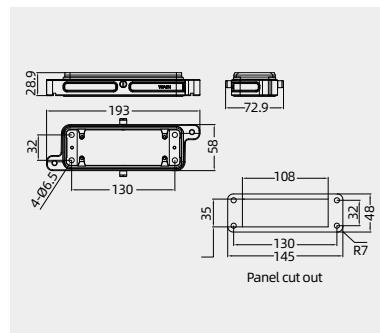
Other outlet hole threads available



Bulkhead mounted housings



Thread	Designation	Order No.
---	HP24B/H-BK-2H-2B/C	113 624 320 1500



H

24B Pressure tight hoods/housings

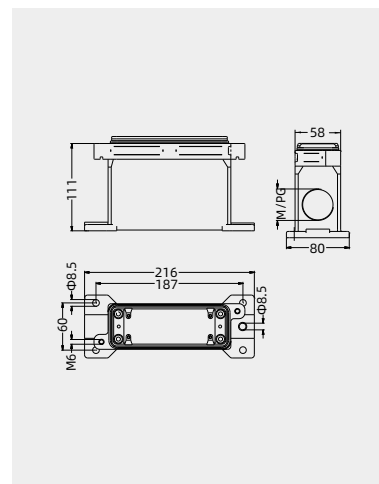
Degree of protection: IP68/IP69K

H version

Surface mounted housings, high construction



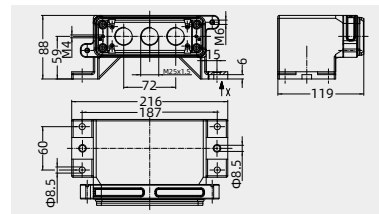
Thread	Designation	Order No.
	Screw locking	
M25	HP24B/H-SFH-2H-M25	113 624 220 5003
M32	HP24B/H-SFH-2H-M32	113 624 220 5004
M40	HP24B/H-SFH-2H-M40	113 624 220 5005
2M40	HP24B/H-SFH-2H-2M40	113 624 220 5025
PG21	HP24B/H-SFH-2H-PG21	113 624 220 5011
PG29	HP24B/H-SFH-2H-PG29	113 624 220 5012
PG36	HP24B/H-SFH-2H-PG36	113 624 220 5013
	Toggle locking	
M25	HP24B/H-SFH-2T-M25	113 624 240 5003
M32	HP24B/H-SFH-2T-M32	113 624 240 5004
M40	HP24B/H-SFH-2T-M40	113 624 240 5005
2M40	HP24B/H-SFH-2T-2M40	113 624 240 5025
PG21	HP24B/H-SFH-2T-PG21	113 624 240 5011
PG29	HP24B/H-SFH-2T-PG29	113 624 240 5012
PG36	HP24B/H-SFH-2T-PG36	113 624 240 5013



Surface mounted housings

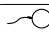
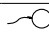


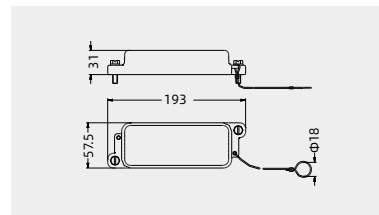
Thread	Designation	Order No.
	Screw locking	
3M25	HP24B/H-BK-SE-2H-3M25	113 624 920 1036
	Toggle locking	
3M25	HP24B/H-BK-SE-2T-3M25	113 624 940 1036



Protection covers, for housings

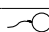
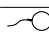


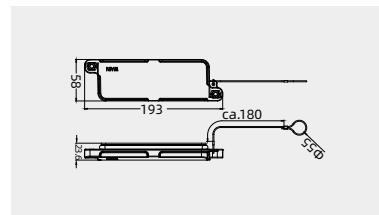
Connect way	Designation	Order No.
	Screw locking	
	HP24B/H-MCV-2S	113 624 020 8101
	Toggle locking	
	HP24B/H-MCV-2T	113 624 040 8103



Protection covers, for hoods



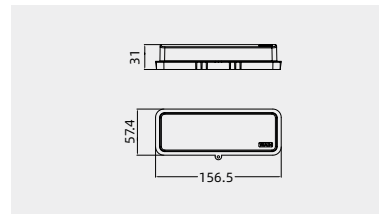
Connect way	Designation	Order No.
	Screw locking	
	HP24B/H-MCV-2H/1	113 624 020 8111
	Toggle locking	
	HP24B/H-MCV-2T/1	113 624 040 8101



Protection covers, for housings(IP5X)



Connect way	Designation	Order No.
---	HP24B/H-CV/C	113 024 900 8001



24B Pressure tight hoods/housings

Degree of protection: IP68/IP69K

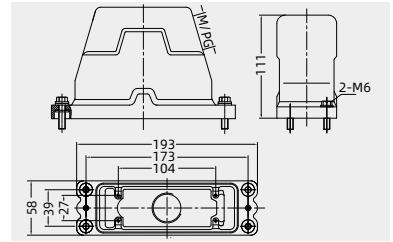
The following hoods/housings comply with the standards for rail transport industry in China.

H version

Hoods, side entry, high construction



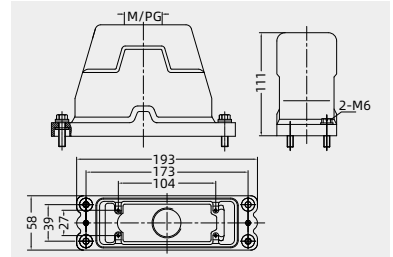
Thread	Designation	Order No.
M25	HP24B/H-SEH-4S-M25	113 624 530 5003
M32	HP24B/H-SEH-4S-M32	113 624 530 5004
M40	HP24B/H-SEH-4S-M40	113 624 530 5005
PG21	HP24B/H-SEH-4S-PG21	113 624 530 5011
PG29	HP24B/H-SEH-4S-PG29	113 624 530 5012



Hoods, top entry, high construction



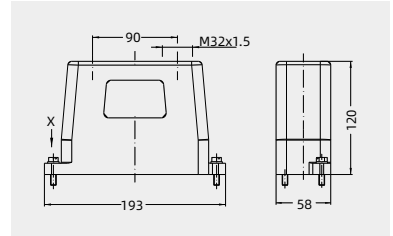
Thread	Designation	Order No.
M25	HP24B/H-TEH-4S-M25	113 624 430 5003
M32	HP24B/H-TEH-4S-M32	113 624 430 5004
M40	HP24B/H-TEH-4S-M40	113 624 430 5005
M50	HP24B/H-TEH-4S-M50	113 624 430 5006
PG21	HP24B/H-TEH-4S-PG21	113 624 430 5011
PG29	HP24B/H-TEH-4S-PG29	113 624 430 5012
PG36	HP24B/H-TEH-4S-PG36	113 624 430 5013



Hoods, top entry, high construction



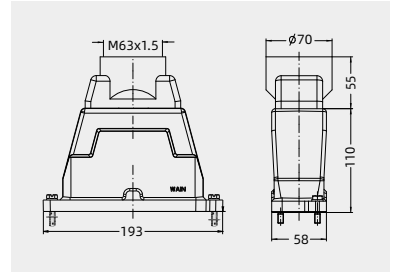
Thread	Designation	Order No.
3M32	HP24B/H-TEHH-4S-3M32	113 624 430 5037



Hoods, top entry, high construction



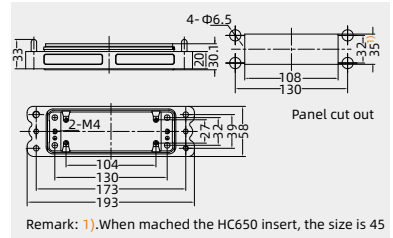
Thread	Designation	Order No.
M63	HP24B/H-TEH-4S-M63	113 624 430 5007



Bulkhead mounted housings



Connect way	Designation	Order No.
---	HP24B/H-BK-4H	113 624 330 1001



Remark: 1) When mached the HC650 insert, the size is 45

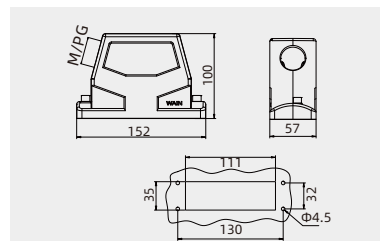
24B Pressure tight hoods/housings

Degree of protection: IP68/IP69K

Hoods, side entry, high construction



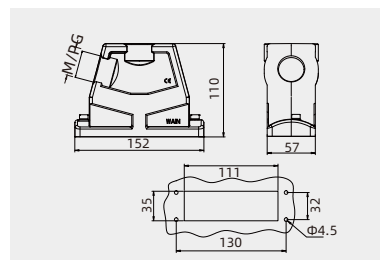
Thread	Designation	Order No.
M32	HC24B-SEH-2S-M32	114 024 520 5004
M40	HC24B-SEH-2S-M40	114 024 520 5005
PG21	HC24B-SEH-2S-PG21	114 024 520 5011
PG29	HC24B-SEH-2S-PG29	114 024 520 5012



Hoods, side entry, high construction



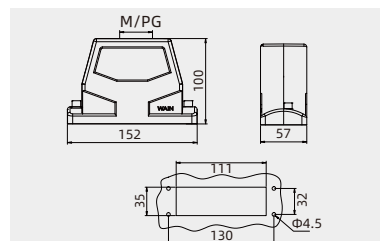
Thread	Designation	Order No.
M32	HC24B-SEHH-2S-M32	130 024 520 1003
M40	HC24B-SEHH-2S-M40	130 024 520 1005
M50	HC24B-SEHH-2S-M50	130 024 520 1001
PG21	HC24B-SEHH-2S-PG21	130 024 520 1007
PG29	HC24B-SEHH-2S-PG29	130 024 520 1009



Hoods, top entry, high construction



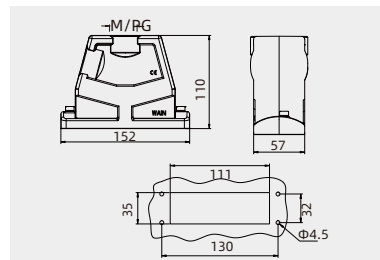
Thread	Designation	Order No.
M32	HC24B-TEH-2S-M32	114 024 420 5004
M40	HC24B-TEH-2S-M40	114 024 420 5005
PG21	HC24B-TEH-2S-PG21	114 024 420 5011
PG29	HC24B-TEH-2S-PG29	114 024 420 5012



Hoods, top entry, high construction



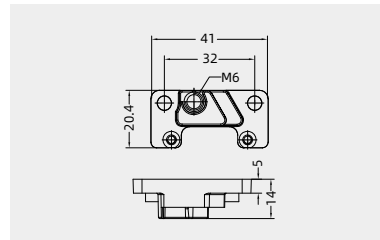
Thread	Designation	Order No.
M32	HC24B-TEHH-2S-M32	130 024 420 1003
M40	HC24B-TEHH-2S-M40	130 024 420 1005
M50	HC24B-TEHH-2S-M50	130 024 420 1001
PG21	HC24B-TEHH-2S-PG21	130 024 420 1007
PG29	HC24B-TEHH-2S-PG29	130 024 420 1009



Mounting flange



Applications	Designation	Order No.
for integral type hoods	APT-C	114 000 000 1001

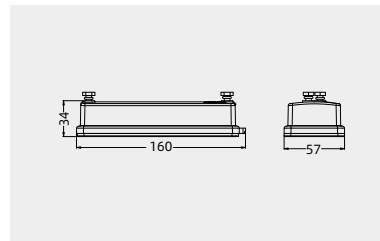


Protection covers, plastic

Degree of protection: IP65



Thread	Designation	Order No.
---	HC24B-CV-2S/2	130 024 020 8001



24B Pressure tight hoods/housings

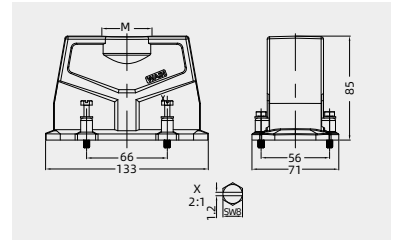
Degree of protection: IP68/IP69K

EMC Pressure tight hoods/housings

Hoods, top entry, high construction



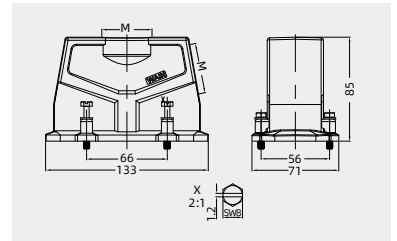
Thread	Designation	Order No.
M25	EMC.W24B-TEH-4S-M32	111 124 430 5012
M32	EMC.W24B-TEH-4S-M40	111 224 430 1005
PG21	EMC.W24B-TEH-4S-PG21	111 224 430 1006
PG29	EMC.W24B-TEH-4S-PG29	111 224 430 1007



Hoods, side entry, high construction



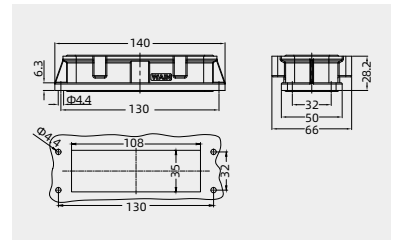
Thread	Designation	Order No.
M25	EMC.W24B-SEH-4S-M32	111 224 530 5002
M32	EMC.W24B-SEH-4S-M40	111 224 530 5003
PG21	EMC.W24B-SEH-4S-PG21	111 224 530 5004
PG29	EMC.W24B-SEH-4S-PG29	111 224 530 5005



Bulkhead mounted housings



Thread	Designation	Order No.
---	EMC.W24B-BK-4H	111 224 330 1001



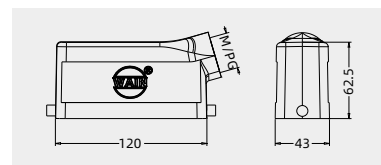
24B Metal hoods/housings - for high voltage inserts(HVE Series)

Degree of protection: IP65

Hoods, side entry



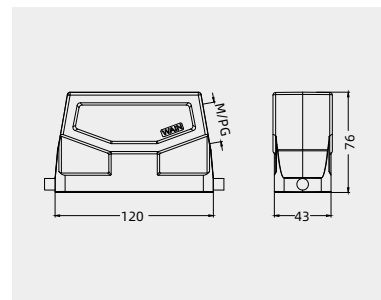
Thread	Designation	Order No.
M25	HV24B-SE-2B-M25	124 024 515 1003
M32	HV24B-SE-2B-M32	124 024 515 1004
PG21	HV24B-SE-2B-PG21	124 024 515 1011



Hoods, side entry, high construction



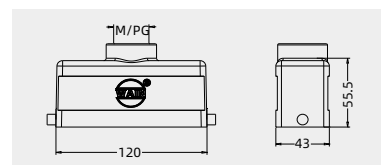
Thread	Designation	Order No.
M32	WV24B-SEH-2B-M32	124 124 510 5001
M40	WV24B-SEH-2B-M40	124 124 510 5002
PG21	WV24B-SEH-2B-PG21	124 124 510 5003
PG29	WV24B-SEH-2B-PG29	124 124 510 5004
	with sleeve	
M32	WV24B-SEH-2B-M32 WS	124 124 515 5004
PG21	WV24B-SEH-2B-PG21 WS	124 124 515 5011
PG29	WV24B-SEH-2B-PG29 WS	124 124 515 5012



Hoods, top entry



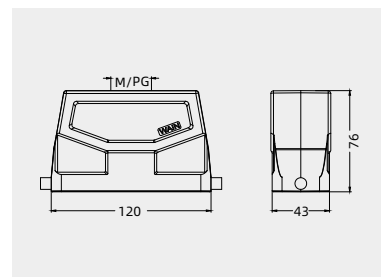
Thread	Designation	Order No.
M25	HV24B-TE-2B-M25	124 024 415 1003
M32	HV24B-TE-2B-M32	124 024 415 1004
PG21	HV24B-TE-2B-PG21	124 024 415 1011



Hoods, top entry, high construction



Thread	Designation	Order No.
M32	WV24B-TEH-2B-M32	124 124 410 5001
M40	WV24B-TEH-2B-M40	124 124 410 5002
PG21	WV24B-TEH-2B-PG21	124 124 410 5003
PG29	WV24B-TEH-2B-PG29	124 124 410 5004
	with sleeve	
M32	WV24B-TEH-2B-M32 WS	124 124 415 5004
PG21	WV24B-TEH-2B-PG21 WS	124 124 415 5011
PG29	WV24B-TEH-2B-PG29 WS	124 124 415 5012

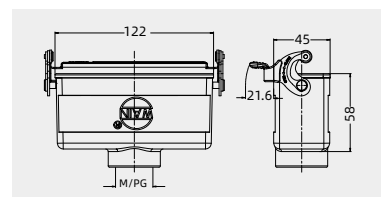


Housings, cable to cable



Thread	Designation	Order No.
M25	HV24B-CCT-1L/SC-M25	124 024 721 1003
PG21	HV24B-CCT-1L/SC-PG21	124 024 721 1011

Please refer to page 15-02 for choosing proper model of lock.

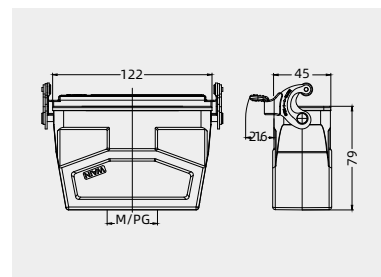


Housings, cable to cable, high construction



Thread	Designation	Order No.
M32	WV24B-CCTH-1L/SC-M32	124 124 721 5001
M40	WV24B-CCTH-1L/SC-M40	124 124 721 5002
PG21	WV24B-CCTH-1L/SC-PG21	124 124 721 5003
PG29	WV24B-CCTH-1L/SC-PG29	124 124 721 5004
	with sleeve	
M32	WV24B-CCTH-1L/SC-M32 WS	124 124 721 5005
PG21	WV24B-CCTH-1L/SC-PG21 WS	124 124 721 5011
PG29	WV24B-CCTH-1L/SC-PG29 WS	124 124 721 5012

Please refer to page 15-02 for choosing proper model of lock.



24B Metal hoods/housings
- for high voltage inserts(HVE Series)

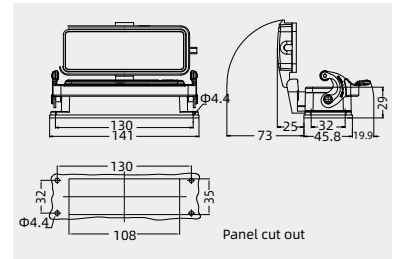
Degree of protection: IP65

Bulkhead mounted housings



Thread	Designation	Order No.
---	HV24B-BK-1L/SC with plastic cover	124 024 321 1001
---	HV24B-BK-1L/SC-CV with metal cover	124 024 361 1001
---	HV24B-BK-1L/SC-MCV	124 024 361 1101

Please refer to page 15-02 for choosing proper model of lock.

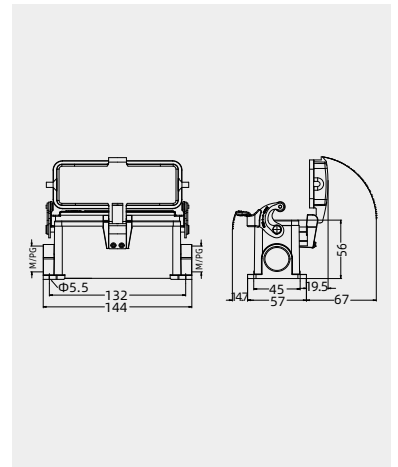


Surface mounted housings



Thread	Designation	Order No.
M25	HV24B-SF-1L/SC-M25	124 024 221 1003
2M25	HV24B-SF-1L/SC-2M25	124 024 221 1023
PG21	HV24B-SF-1L/SC-PG21	124 024 221 1011
2PG21	HV24B-SF-1L/SC-2PG21	124 024 221 1031
	with plastic cover	
M25	HV24B-SF-1L/SC-CV-M25	124 024 261 1003
2M25	HV24B-SF-1L/SC-CV-2M25	124 024 261 1023
PG21	HV24B-SF-1L/SC-CV-PG21	124 024 261 1011
2PG21	HV24B-SF-1L/SC-CV-2PG21	124 024 261 1031
	with metal cover	
M25	HV24B-SF-1L/SC-MCV-M25	124 024 261 1103
2M25	HV24B-SF-1L/SC-MCV-2M25	124 024 261 1123
PG21	HV24B-SF-1L/SC-MCV-PG21	124 024 261 1111
2PG21	HV24B-SF-1L/SC-MCV-2PG21	124 024 261 1131

Please refer to page 15-02 for choosing proper model of lock.

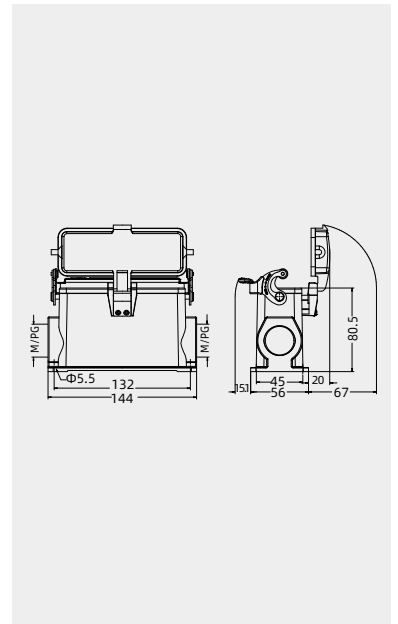


Surface mounted housings, high construction



Thread	Designation	Order No.
M32	HV24B-SFH-1L/SC-M32	124 024 221 5004
2M32	HV24B-SFH-1L/SC-2M32	124 024 221 5024
PG21	HV24B-SFH-1L/SC-PG21	124 024 221 5011
2PG21	HV24B-SFH-1L/SC-2PG21	124 024 221 5031
PG29	HV24B-SFH-1L/SC-PG29	124 024 221 5012
2PG29	HV24B-SFH-1L/SC-2PG29	124 024 221 5032
	with plastic cover	
M32	HV24B-SFH-1L/SC-CV-M32	124 024 261 5004
2M32	HV24B-SFH-1L/SC-CV-2M32	124 024 261 5024
PG21	HV24B-SFH-1L/SC-CV-PG21	124 024 261 5011
2PG21	HV24B-SFH-1L/SC-CV-2PG21	124 024 261 5031
PG29	HV24B-SFH-1L/SC-CV-PG29	124 024 261 5012
2PG29	HV24B-SFH-1L/SC-CV-2PG29	124 024 261 5032
	with metal cover	
M32	HV24B-SFH-1L/SC-MCV-M32	124 024 261 5104
2M32	HV24B-SFH-1L/SC-MCV-2M32	124 024 261 5124
PG21	HV24B-SFH-1L/SC-MCV-PG21	124 024 261 5111
2PG21	HV24B-SFH-1L/SC-MCV-2PG21	124 024 261 5131
PG29	HV24B-SFH-1L/SC-MCV-PG29	124 024 261 5112
2PG29	HV24B-SFH-1L/SC-MCV-2PG29	124 024 261 5132

Please refer to page 15-02 for choosing proper model of lock.



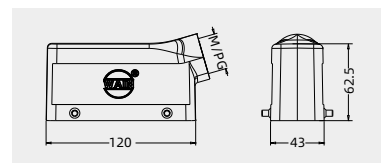
24B Metal hoods/housings - for high voltage inserts(HVE Series)

Degree of protection: IP65

Hoods, side entry



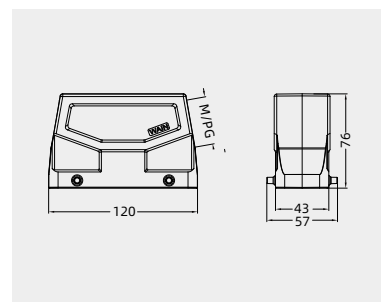
Thread	Designation	Order No.
M25	HV24B-SE-4B-M25	124 024 530 1003
M32	HV24B-SE-4B-M32	124 024 530 1004
PG21	HV24B-SE-4B-PG21	124 024 530 1011



Hoods, side entry, high construction



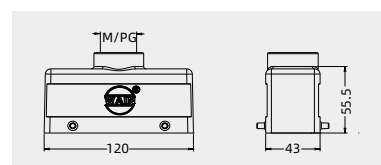
Thread	Designation	Order No.
M32	WV24B-SEH-4B-M32	124 124 530 5001
M40	WV24B-SEH-4B-M40	124 124 530 5002
PG21	WV24B-SEH-4B-PG21	124 124 530 5003
PG29	WV24B-SEH-4B-PG29 with sleeve	124 124 530 5004
M32	WV24B-SEH-4B-M32 WS	124 124 530 5007
PG21	WV24B-SEH-4B-PG21 WS	124 124 530 5011
PG29	WV24B-SEH-4B-PG29 WS	124 124 530 5012



Hoods, top entry



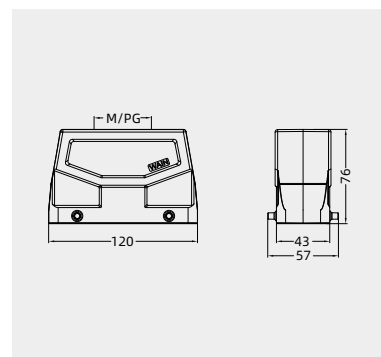
Thread	Designation	Order No.
M25	HV24B-TE-4B-M25	124 024 430 1003
M32	HV24B-TE-4B-M32	124 024 430 1004
PG21	HV24B-TE-4B-PG21	124 024 430 1011



Hoods, top entry, high construction



Thread	Designation	Order No.
M32	WV24B-TEH-4B-M32	124 124 430 5001
M40	WV24B-TEH-4B-M40	124 124 430 5002
PG21	WV24B-TEH-4B-PG21	124 124 430 5003
PG29	WV24B-TEH-4B-PG29 with sleeve	124 124 430 5004
M32	WV24B-TEH-4B-M32 WS	124 124 430 5008
PG21	WV24B-TEH-4B-PG21 WS	124 124 430 5011
PG29	WV24B-TEH-4B-PG29 WS	124 124 430 5012



24B Metal hoods/housings - for high voltage inserts(HVE Series)

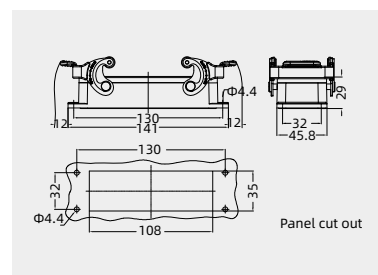
Degree of protection: IP65

Bulkhead mounted housings



Thread	Designation	Order No.
---	HV24B-BK-2L/SC	124 024 341 1001

Please refer to page 15-02 for choosing proper model of lock.

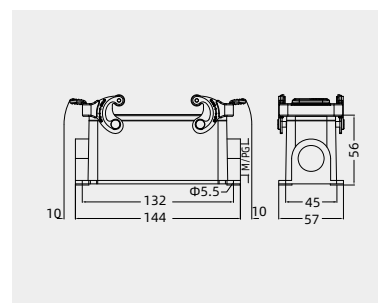


Surface mounted housings



Thread	Designation	Order No.
M25	HV24B-SF-2L/SC-M25	124 024 241 1003
2M25	HV24B-SF-2L/SC-2M25	124 024 241 1023
PG21	HV24B-SF-2L/SC-PG21	124 024 241 1011
2PG21	HV24B-SF-2L/SC-2PG21	124 024 241 1031

Please refer to page 15-02 for choosing proper model of lock.

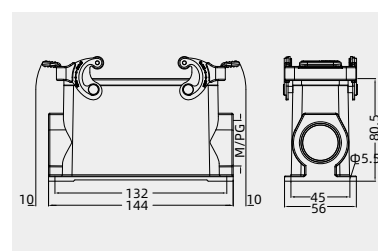


Surface mounted housings, high construction



Thread	Designation	Order No.
M32	HV24B-SFH-2L/SC-M32	124 024 241 5004
2M32	HV24B-SFH-2L/SC-2M32	124 024 241 5024
PG21	HV24B-SFH-2L/SC-PG21	124 024 241 5011
2PG21	HV24B-SFH-2L/SC-2PG21	124 024 241 5031
PG29	HV24B-SFH-2L/SC-PG29	124 024 241 5012
2PG29	HV24B-SFH-2L/SC-2PG29	124 024 241 5032

Please refer to page 15-02 for choosing proper model of lock.

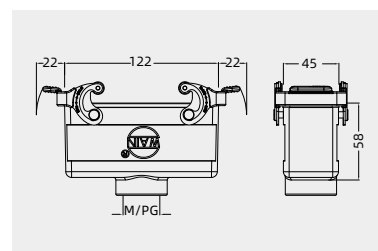


Housings, cable to cable



Thread	Designation	Order No.
M25	HV24B-CCT-2L/SC-M25	124 024 741 1003
PG21	HV24B-CCT-2L/SC-PG21	124 024 741 1011

Please refer to page 15-02 for choosing proper model of lock.



24B Metal hoods/housings
- for high voltage inserts(HVE Series)

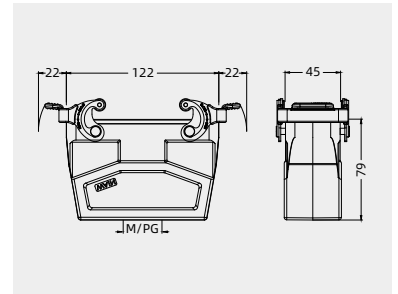
Degree of protection: IP65

Housings, cable to cable, high construction



Thread	Designation	Order No.
M32	WV24B-CCTH-2L/SC-M32	124 124 741 5001
M40	WV24B-CCTH-2L/SC-M40	124 124 741 5002
PG21	WV24B-CCTH-2L/SC-PG21	124 124 741 5003
PG29	WV24B-CCTH-2L/SC-PG29	124 124 741 5004
	with sleeve	
M32	WV24B-CCTH-2L/SC-M32 WS	124 124 741 5005
PG21	WV24B-CCTH-2L/SC-PG21 WS	124 124 741 5011
PG29	WV24B-CCTH-2L/SC-PG29 WS	124 124 741 5012

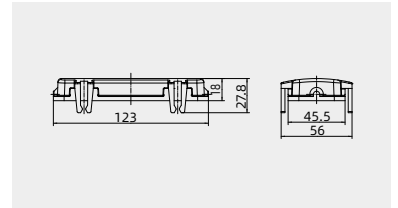
Please refer to page 15-02 for choosing proper model of lock.



Protection covers, plastic



Connect way	Applications	Designation	Order No.
---	for hoods	H24B-CV-4C	111 024 090 8009

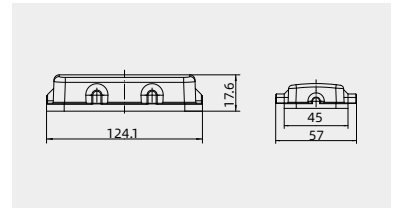


H

Protection covers, plastic



Connect way	Applications	Designation	Order No.
	for Housings, cable to cable	H24B-CV-4B/1	111 024 030 8001
	for Housings, bulkhead mounting / surface mounting	H24B-CV-4B/2	111 024 030 8002



24B Metal hoods/housings - for high voltage inserts(HVE Series)

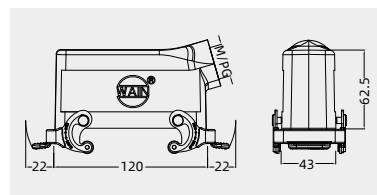
Degree of protection: IP65

Hoods, side entry



Thread	Designation	Order No.
M25	HV24B-SE-2L/SC-M25	124 024 541 1003
M32	HV24B-SE-2L/SC-M32	124 024 541 1004
PG21	HV24B-SE-2L/SC-PG21	124 024 541 1011

Please refer to page 15-02 for choosing proper model of lock.

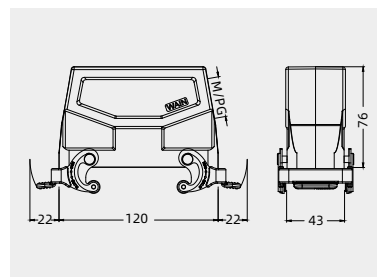


Hoods, side entry, high construction



Thread	Designation	Order No.
M32	WV24B-SEH-2L/SC-M32	124 124 541 5001
M40	WV24B-SEH-2L/SC-M40	124 124 541 5002
PG21	WV24B-SEH-2L/SC-PG21	124 124 541 5003
PG29	WV24B-SEH-2L/SC-PG29	124 124 541 5004
	with sleeve	
M32	WV24B-SEH-2L/SC-M32 WS	124 124 541 5005
PG21	WV24B-SEH-2L/SC-PG21 WS	124 124 541 5011
PG29	WV24B-SEH-2L/SC-PG29 WS	124 124 541 5012

Please refer to page 15-02 for choosing proper model of lock.

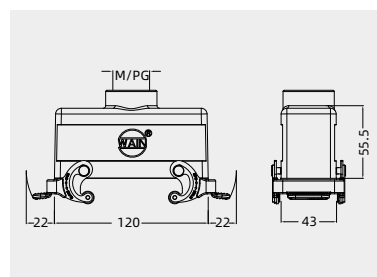


Hoods, top entry



Thread	Designation	Order No.
M25	HV24B-TE-2L/SC-M25	124 024 441 1003
PG21	HV24B-TE-2L/SC-PG21	124 024 441 1011

Please refer to page 15-02 for choosing proper model of lock.

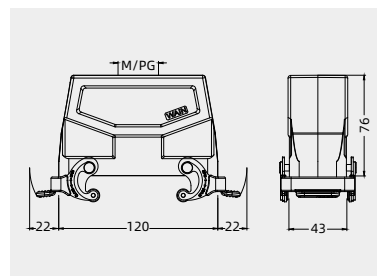


Hoods, top entry, high construction



Thread	Designation	Order No.
M32	WV24B-TEH-2L/SC-M32	124 124 441 5001
M40	WV24B-TEH-2L/SC-M40	124 124 441 5002
PG21	WV24B-TEH-2L/SC-PG21	124 124 441 5003
PG29	WV24B-TEH-2L/SC-PG29	124 124 441 5004
	with sleeve	
M32	WV24B-TEH-2L/SC-M32 WS	124 124 441 5005
PG21	WV24B-TEH-2L/SC-PG21 WS	124 124 441 5011
PG29	WV24B-TEH-2L/SC-PG29 WS	124 124 441 5012

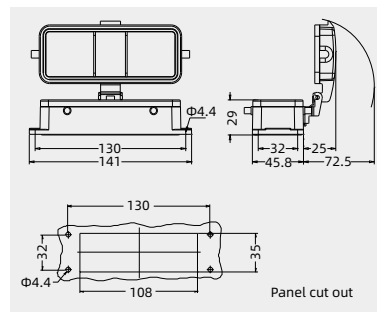
Please refer to page 15-02 for choosing proper model of lock.



Bulkhead mounted housings



Thread	Designation	Order No.
---	HV24B-BK-4B	124 024 330 1001
	with plastic cover	
---	HV24B-BK-4B-CV	124 024 370 1001
	with metal cover	
---	HV24B-BK-4B-MCV	124 024 370 1101



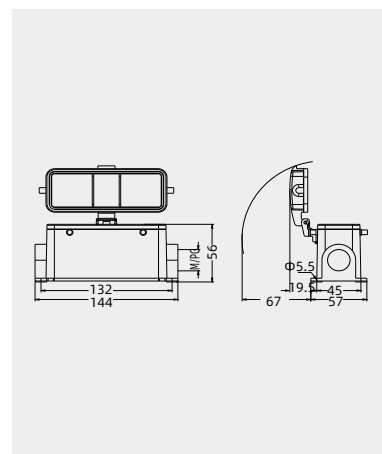
24B Metal hoods/housings - for high voltage inserts(HVE Series)

Degree of protection: IP65

Surface mounted housings



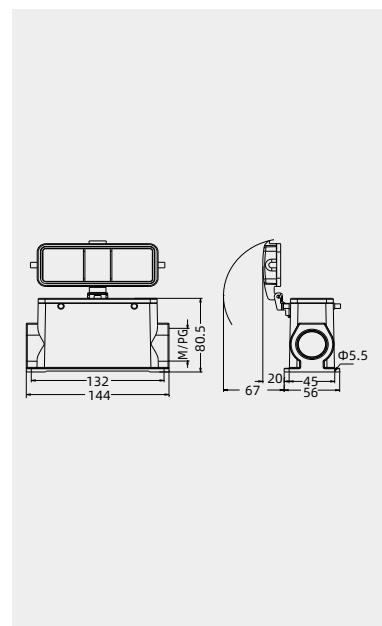
Thread	Designation	Order No.
M25	HV24B-SF-4B-M25	124 024 230 1003
2M25	HV24B-SF-4B-2M25	124 024 230 1023
PG21	HV24B-SF-4B-PG21	124 024 230 1011
2PG21	HV24B-SF-4B-2PG21	124 024 230 1031
	with plastic cover	
M25	HV24B-SF-4B-CV-M25	124 024 270 1003
2M25	HV24B-SF-4B-CV-2M25	124 024 270 1023
PG21	HV24B-SF-4B-CV-PG21	124 024 270 1011
2PG21	HV24B-SF-4B-CV-2PG21	124 024 270 1031
	with metal cover	
M25	HV24B-SF-4B-MCV-M25	124 024 270 1103
2M25	HV24B-SF-4B-MCV-2M25	124 024 270 1123
PG21	HV24B-SF-4B-MCV-PG21	124 024 270 1111
2PG21	HV24B-SF-4B-MCV-2PG21	124 024 270 1131



Surface mounted housings, high construction



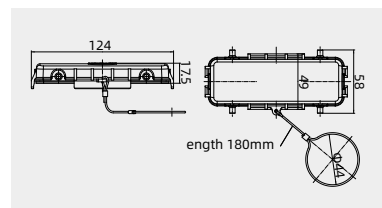
Thread	Designation	Order No.
M32	HV24B-SFH-4B-M32	124 024 230 5004
2M32	HV24B-SFH-4B-2M32	124 024 230 5024
PG21	HV24B-SFH-4B-PG21	124 024 230 5011
2PG21	HV24B-SFH-4B-2PG21	124 024 230 5031
PG29	HV24B-SFH-4B-PG29	124 024 230 5012
2PG29	HV24B-SFH-4B-2PG29	124 024 230 5032
	with plastic cover	
M32	HV24B-SFH-4B-CV-M32	124 024 270 5004
2M32	HV24B-SFH-4B-CV-2M32	124 024 270 5024
PG21	HV24B-SFH-4B-CV-PG21	124 024 270 5011
2PG21	HV24B-SFH-4B-CV-2PG21	124 024 270 5031
PG29	HV24B-SFH-4B-CV-PG29	124 024 270 5012
2PG29	HV24B-SFH-4B-CV-2PG29	124 024 270 5032
	with metal cover	
M32	HV24B-SFH-4B-MCV-M32	124 024 270 5104
2M32	HV24B-SFH-4B-MCV-2M32	124 024 270 5124
PG21	HV24B-SFH-4B-MCV-PG21	124 024 270 5111
2PG21	HV24B-SFH-4B-MCV-2PG21	124 024 270 5131
PG29	HV24B-SFH-4B-MCV-PG29	124 024 270 5112
2PG29	HV24B-SFH-4B-MCV-2PG29	124 024 270 5132



Protection covers, metal



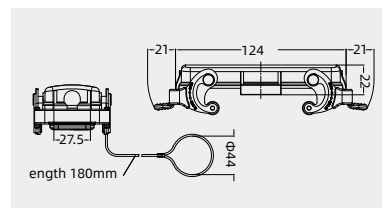
Connect way	Applications	Designation	Order No.
	for hoods	H24B-MCV-4B/1S	111 024 030 8103
	for housings, without sealing	H24B-MCV-4B/2	111 024 030 8102



Protection covers, metal



Connect way	Applications	Designation	Order No.
	for hoods	H24B-MCV-2L/SC.1S	111 024 041 8101
	or housings	H24B-MCV-2L/SC.2	111 024 041 8102



Please refer to page 15-02 for choosing proper model of lock.

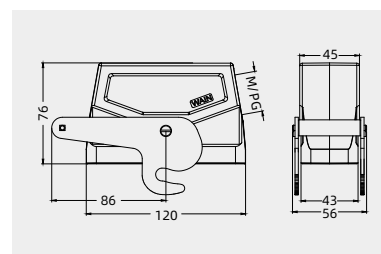
24B Metal hoods/housings - for high voltage inserts(HVE Series)

Degree of protection: IP65

Hoods, side entry, high construction



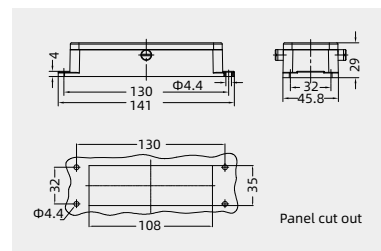
Thread	Designation	Order No.
M32	WV24B-SEH-1L/C-M32	124 124 550 5001
PG29	WV24B-SEH-1L/C-PG29	124 124 550 5002
	with sleeve	
M32	WV24B-SEH-1L/C-M32 WS	124 124 555 5004
PG21	WV24B-SEH-1L/C-PG21 WS	124 124 550 5003
PG29	WV24B-SEH-1L/C-PG29 WS	124 124 555 5012



Bulkhead mounted housings



Thread	Designation	Order No.
---	HV24B-BK-2B/C	124 024 355 1001



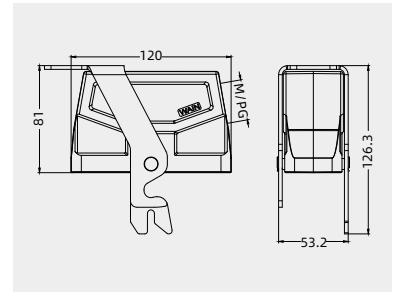
HV24B Metal hoods/housings - for high voltage inserts(HVE Series)

Degree of protection: IP65

Hoods, side entry, high construction



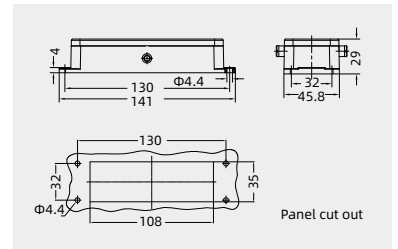
Thread	Designation	Order No.
M32	WV24B-SEH-1L/B-M32	124 124 529 5001
PG29	WV24B-SEH-1L/B-PG29	124 124 529 5002
	with sleeve	
M32	WV24B-SEH-1L/B-M32 <i>WS</i>	124 124 525 5004
PG21	WV24B-SEH-1L/B-PG21 <i>WS</i>	124 124 525 5013
PG29	WV24B-SEH-1L/B-PG29 <i>WS</i>	124 124 525 5012



Bulkhead mounted housings



Thread	Designation	Order No.
---	HV24B-BK-2B/B	124 024 315 1001



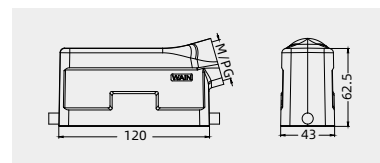
HV24B Metal hoods/housings - for high voltage inserts(HVE Series)

Degree of protection: IP67

Hoods, side entry



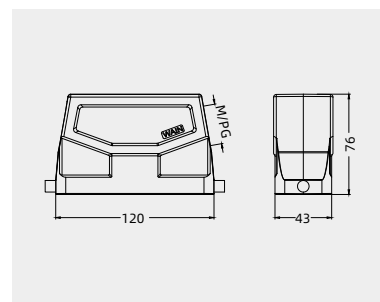
Thread	Designation	Order No.
M25	WV24B-SE-2B-M25	124 124 510 1001
M32	WV24B-SE-2B-M32	124 124 510 1002
PG21	WV24B-SE-2B-PG21	124 124 510 1003



Hoods, side entry, high construction



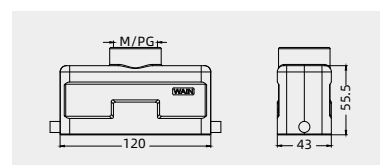
Thread	Designation	Order No.
M32	WV24B-SEH-2B-M32	124 124 510 5001
M40	WV24B-SEH-2B-M40	124 124 510 5002
PG21	WV24B-SEH-2B-PG21	124 124 510 5003
PG29	WV24B-SEH-2B-PG29	124 124 510 5004
	with sleeve	
M32	WV24B-SEH-2B-M32 WS	124 124 515 5004
PG21	WV24B-SEH-2B-PG21 WS	124 124 515 5011
PG29	WV24B-SEH-2B-PG29 WS	124 124 515 5012



Hoods, top entry



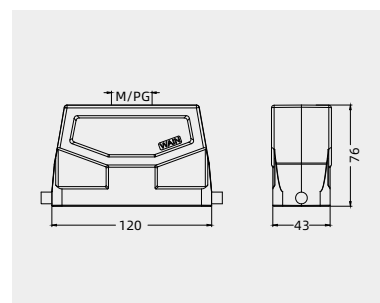
Thread	Designation	Order No.
M25	WV24B-TE-2B-M25	124 124 410 1001
M32	WV24B-TE-2B-M32	124 124 410 1002
PG21	WV24B-TE-2B-PG21	124 124 410 1003



Hoods, top entry, high construction



Thread	Designation	Order No.
M32	WV24B-TEH-2B-M32	124 124 410 5001
M40	WV24B-TEH-2B-M40	124 124 410 5002
PG21	WV24B-TEH-2B-PG21	124 124 410 5003
PG29	WV24B-TEH-2B-PG29	124 124 410 5004
	with sleeve	
M32	WV24B-TEH-2B-M32 WS	124 124 415 5004
PG21	WV24B-TEH-2B-PG21 WS	124 124 415 5011
PG29	WV24B-TEH-2B-PG29 WS	124 124 415 5012



24B Metal hoods/housings - for high voltage inserts(HVE Series)

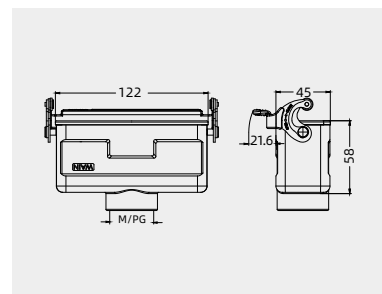
Degree of protection: IP67

Housings, cable to cable



Thread	Designation	Order No.
M25	WV24B-CCT-1L/SC-M25	124 124 721 1001
PG21	WV24B-CCT-1L/SC-PG21	124 124 721 1002

Please refer to page 15-02 for choosing proper model of lock.

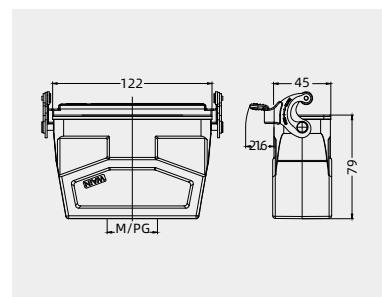


Housings, cable to cable, high construction



Thread	Designation	Order No.
M32	WV24B-CCTH-1L/SC-M32	124 124 721 5001
M40	WV24B-CCTH-1L/SC-M40	124 124 721 5002
PG21	WV24B-CCTH-1L/SC-PG21	124 124 721 5003
PG29	WV24B-CCTH-1L/SC-PG29	124 124 721 5004
M32	WV24B-CCTH-1L/SC-M32 WS	124 124 721 5005
PG21	WV24B-CCTH-1L/SC-PG21 WS	124 124 721 5011
PG29	WV24B-CCTH-1L/SC-PG29 WS	124 124 721 5012

Please refer to page 15-02 for choosing proper model of lock.

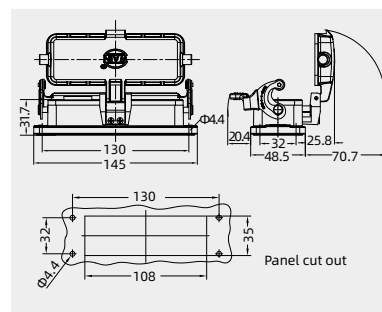


Bulkhead mounted housings



Thread	Designation	Order No.
---	WV24B-BK-1L/SC with plastic cover	124 124 321 1101
---	WV24B-BK-1L/SC-CV with metal cover	111 124 321 8003
---	WV24B-BK-1L/SC-MCV	111 124 321 8004

Please refer to page 15-02 for choosing proper model of lock.



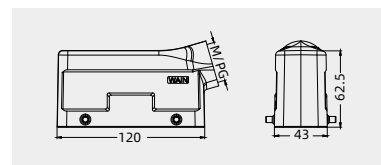
24B Metal hoods/housings - for high voltage inserts(HVE Series)

Degree of protection: IP67

Hoods, side entry



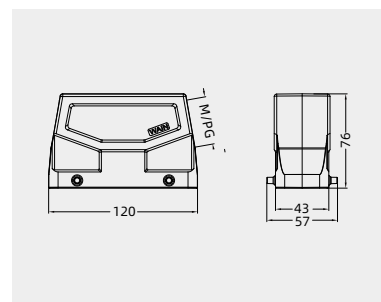
Thread	Designation	Order No.
M25	WV24B-SE-4B-M25	124 124 530 1001
M32	WV24B-SE-4B-M32	124 124 530 1002
PG21	WV24B-SE-4B-PG21	124 124 530 1003



Hoods, side entry, high construction



Thread	Designation	Order No.
M32	WV24B-SEH-4B-M32	124 124 530 5001
M40	WV24B-SEH-4B-M40	124 124 530 5002
PG21	WV24B-SEH-4B-PG21	124 124 530 5003
PG29	WV24B-SEH-4B-PG29 with sleeve	124 124 530 5004
M32	WV24B-SEH-4B-M32 <i>WS</i>	124 124 530 5007
PG21	WV24B-SEH-4B-PG21 <i>WS</i>	124 124 530 5011
PG29	WV24B-SEH-4B-PG29 <i>WS</i>	124 124 530 5012

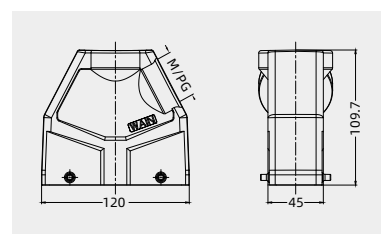


Hoods, side entry, high construction



Thread	Designation	Order No.
M50	WV24B-SEH-4B-M50	124 124 530 5005
PG36	WV24B-SEH-4B-PG36	124 124 530 5006

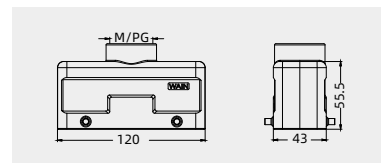
Suitable for cable with maximum OD Φ 32mm



Hoods, top entry



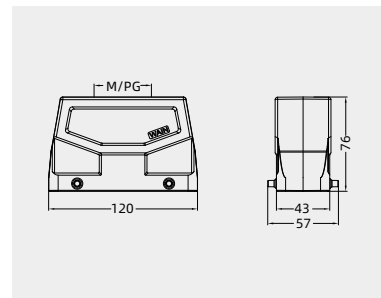
Thread	Designation	Order No.
M25	WV24B-TE-4B-M25	124 124 430 1001
M32	WV24B-TE-4B-M32	124 124 430 1002
PG21	WV24B-TE-4B-PG21	124 124 430 1003



Hoods, top entry, high construction



Thread	Designation	Order No.
M32	WV24B-TEH-4B-M32	124 124 430 5001
M40	WV24B-TEH-4B-M40	124 124 430 5002
PG21	WV24B-TEH-4B-PG21	124 124 430 5003
PG29	WV24B-TEH-4B-PG29 with sleeve	124 124 430 5004
M32	WV24B-TEH-4B-M32 <i>WS</i>	124 124 430 5008
PG21	WV24B-TEH-4B-PG21 <i>WS</i>	124 124 430 5011
PG29	WV24B-TEH-4B-PG29 <i>WS</i>	124 124 430 5012

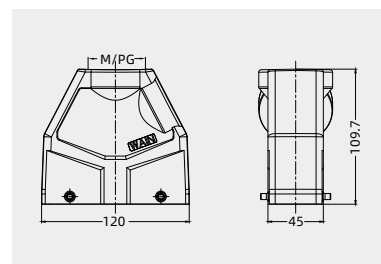


Hoods, top entry, high construction



Thread	Designation	Order No.
M50	WV24B-TEH-4B-M50	124 124 430 5005
PG36	WV24B-TEH-4B-PG36	124 124 430 5006

Suitable for cable with maximum OD Φ 32mm



24B Metal hoods/housings - for high voltage inserts(HVE Series)

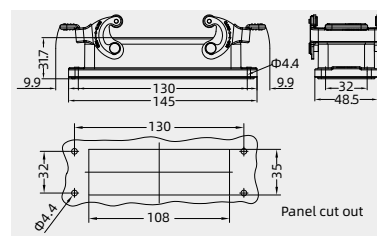
Degree of protection: IP67

Bulkhead mounted housings



Thread	Designation	Order No.
---	WV24B-BK-2L/SC	124 124 341 1101

Please refer to page 15-02 for choosing proper model of lock.

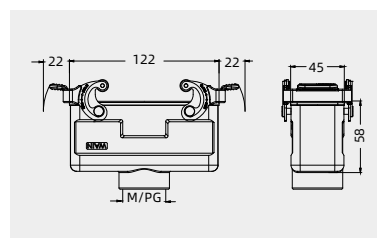


Housings, cable to cable



Thread	Designation	Order No.
M25	WV24B-CCT-2L/SC-M25	124 124 741 1001
PG21	WV24B-CCT-2L/SC-PG21	124 124 741 1002

Please refer to page 15-02 for choosing proper model of lock.

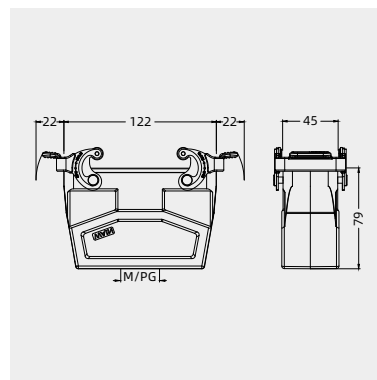


Housings, cable to cable, high construction



Thread	Designation	Order No.
M32	WV24B-CCTH-2L/SC-M32	124 124 741 5001
M40	WV24B-CCTH-2L/SC-M40	124 124 741 5002
PG21	WV24B-CCTH-2L/SC-PG21	124 124 741 5003
PG29	WV24B-CCTH-2L/SC-PG29	124 124 741 5004
	with sleeve	
M32	WV24B-CCTH-2L/SC-M32 WS	124 124 741 5005
PG21	WV24B-CCTH-2L/SC-PG21 WS	124 124 741 5011
PG29	WV24B-CCTH-2L/SC-PG29 WS	124 124 741 5012

Please refer to page 15-02 for choosing proper model of lock.



24B Metal hoods/housings - for high voltage inserts(HVE Series)

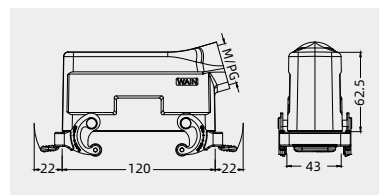
Degree of protection: IP67

Hoods, side entry



Thread	Designation	Order No.
M25	WV24B-SE-2L/SC-M25	124 124 541 1001
M32	WV24B-SE-2L/SC-M32	124 124 541 1002
PG21	WV24B-SE-2L/SC-PG21	124 124 541 1003

Please refer to page 15-02 for choosing proper model of lock.

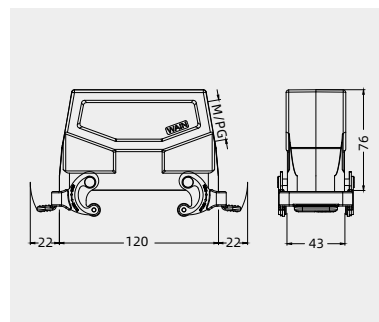


Hoods, side entry, high construction



Thread	Designation	Order No.
M32	WV24B-SEH-2L/SC-M32	124 124 541 5001
M40	WV24B-SEH-2L/SC-M40	124 124 541 5002
PG21	WV24B-SEH-2L/SC-PG21	124 124 541 5003
PG29	WV24B-SEH-2L/SC-PG29 with sleeve	124 124 541 5004
M32	WV24B-SEH-2L/SC-M32 WS	124 124 541 5005
PG21	WV24B-SEH-2L/SC-PG21 WS	124 124 541 5011
PG29	WV24B-SEH-2L/SC-PG29 WS	124 124 541 5012

Please refer to page 15-02 for choosing proper model of lock.

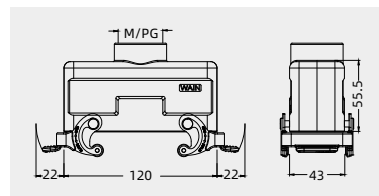


Hoods, top entry



Thread	Designation	Order No.
M25	WV24B-TE-2L/SC-M25	124 124 441 1001
PG21	WV24B-TE-2L/SC-PG21	124 124 441 1002

Please refer to page 15-02 for choosing proper model of lock.

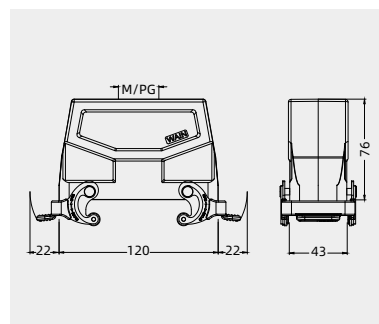


Hoods, top entry, high construction



Thread	Designation	Order No.
M32	WV24B-TEH-2L/SC-M32	124 124 441 5001
M40	WV24B-TEH-2L/SC-M40	124 124 441 5002
PG21	WV24B-TEH-2L/SC-PG21	124 124 441 5003
PG29	WV24B-TEH-2L/SC-PG29 with sleeve	124 124 441 5004
M32	WV24B-TEH-2L/SC-M32 WS	124 124 441 5005
PG21	WV24B-TEH-2L/SC-PG21 WS	124 124 441 5011
PG29	WV24B-TEH-2L/SC-PG29 WS	124 124 441 5012

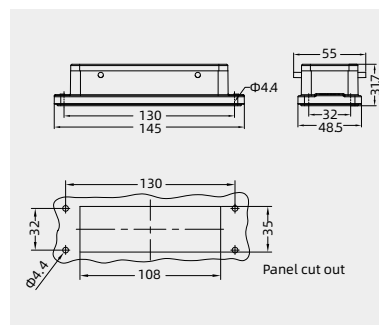
Please refer to page 15-02 for choosing proper model of lock.



Bulkhead mounted housings



Thread	Designation	Order No.
---	WV24B-BK-4B	124 124 330 1101



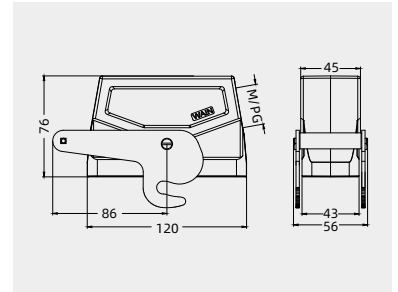
24B Metal hoods/housings - for high voltage inserts(HVE Series)

Degree of protection: IP67

Hoods, side entry, high construction



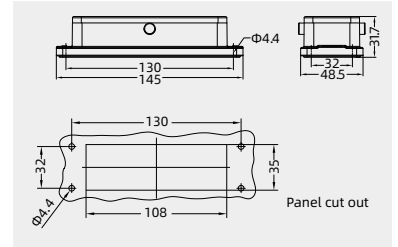
Thread	Designation	Order No.
M32	WV24B-SEH-1L/C-M32	124 124 550 5001
PG29	WV24B-SEH-1L/C-PG29	124 124 550 5002
	with sleeve	
M32	WV24B-SEH-1L/C-M32 WS	124 124 555 5004
PG21	WV24B-SEH-1L/C-PG21 WS	124 124 550 5003
PG29	WV24B-SEH-1L/C-PG29 WS	124 124 555 5012



Bulkhead mounted housings



Thread	Designation	Order No.
---	WV24B-BK-2B/C	124 124 350 1101



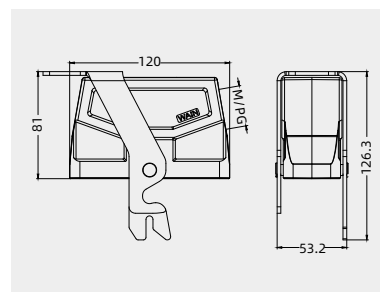
24B Metal hoods/housings - for high voltage inserts(HVE Series)

Degree of protection: IP67

Hoods, side entry, high construction



Thread	Designation	Order No.
M32	WV24B-SEH-1L/B-M32	124 124 529 5001
PG29	WV24B-SEH-1L/B-PG29	124 124 529 5002
	with sleeve	
M32	WV24B-SEH-1L/B-M32 WS	124 124 525 5004
PG21	WV24B-SEH-1L/B-PG21 WS	124 124 525 5013
PG29	WV24B-SEH-1L/B-PG29 WS	124 124 525 5012



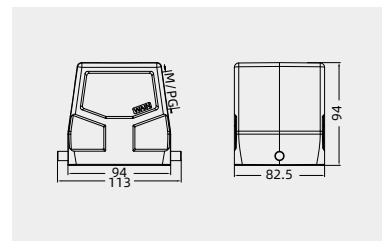
32B Metal hoods/housings

Degree of protection: IP65

Hoods, side entry



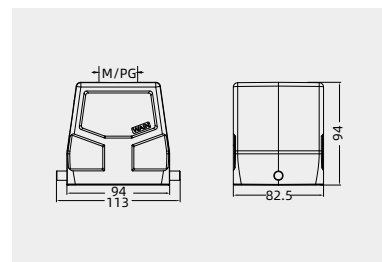
Thread	Designation	Order No.
M32	W32B-SE-2B-M32	111 132 510 1001
M40	W32B-SE-2B-M40	111 132 510 1002
M50	W32B-SE-2B-M50	111 132 510 1003
PG29	W32B-SE-2B-PG29	111 132 510 1004
PG36	W32B-SE-2B-PG36	111 132 510 1005
PG42	W32B-SE-2B-PG42	111 132 510 1006



Hoods, top entry



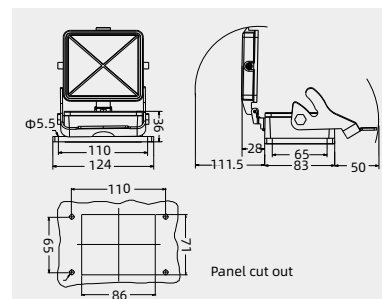
Thread	Designation	Order No.
M32	W32B-TE-2B-M32	111 132 410 1001
M40	W32B-TE-2B-M40	111 132 410 1002
M50	W32B-TE-2B-M50	111 132 410 1003
PG29	W32B-TE-2B-PG29	111 132 410 1004
PG36	W32B-TE-2B-PG36	111 132 410 1005
PG42	W32B-TE-2B-PG42	111 132 410 1006



Bulkhead mounted housings



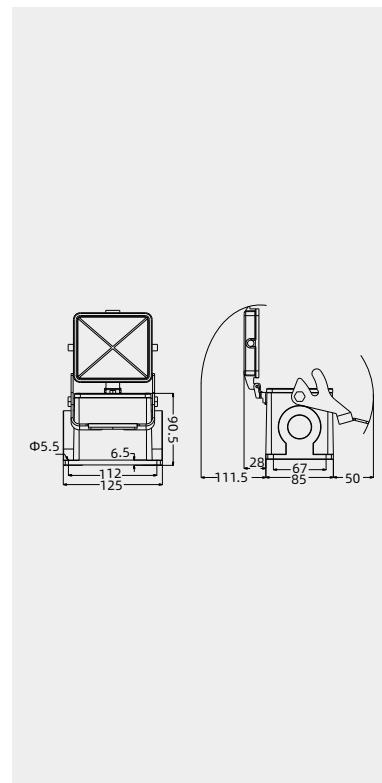
Thread	Designation	Order No.
---	H32B-BK-1L/S with plastic cover	111 032 325 1001
---	H32B-BK-1L/S-CV with metal cover	111 032 365 1001
---	H32B-BK-1L/S-MCV	111 032 365 1101



Bulkhead mounted housings



Thread	Designation	Order No.
M32	H32B-SF-1L/S-M32	111 032 225 1004
2M32	H32B-SF-1L/S-2M32	111 032 225 1024
M40	H32B-SF-1L/S-M40	111 032 225 1005
2M40	H32B-SF-1L/S-2M40	111 032 225 1025
PG29	H32B-SF-1L/S-PG29	111 032 225 1012
2PG29	H32B-SF-1L/S-2PG29	111 032 225 1032
PG36	H32B-SF-1L/S-PG36	111 032 225 1013
2PG36	H32B-SF-1L/S-2PG36	111 032 225 1033
	with plastic cover	
M32	H32B-SF-1L/S-CV-M32	111 032 265 1004
2M32	H32B-SF-1L/S-CV-2M32	111 032 265 1024
M40	H32B-SF-1L/S-CV-M40	111 032 265 1005
2M40	H32B-SF-1L/S-CV-2M40	111 032 265 1025
PG29	H32B-SF-1L/S-CV-PG29	111 032 265 1012
2PG29	H32B-SF-1L/S-CV-2PG29	111 032 265 1032
PG36	H32B-SF-1L/S-CV-PG36	111 032 265 1013
2PG36	H32B-SF-1L/S-CV-2PG36	111 032 265 1033
	with metal cover	
M32	H32B-SF-1L/S-MCV-M32	111 032 265 1104
2M32	H32B-SF-1L/S-MCV-2M32	111 032 265 1124
M40	H32B-SF-1L/S-MCV-M40	111 032 265 1105
2M40	H32B-SF-1L/S-MCV-2M40	111 032 265 1125
PG29	H32B-SF-1L/S-MCV-PG29	111 032 265 1112
2PG29	H32B-SF-1L/S-MCV-2PG29	111 032 265 1132
PG36	H32B-SF-1L/S-MCV-PG36	111 032 265 1113
2PG36	H32B-SF-1L/S-MCV-2PG36	111 032 265 1133



Please refer to page 15-02 for choosing proper model of lock.

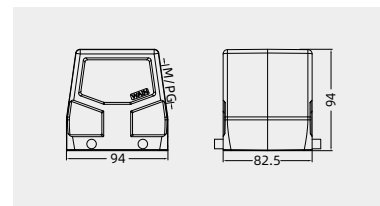
32B Metal hoods/housings

Degree of protection: IP65

Hoods, side entry



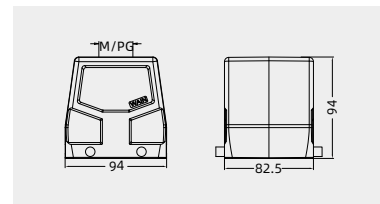
Thread	Designation	Order No.
M32	W32B-SE-4B-M32	111 132 530 1001
M40	W32B-SE-4B-M40	111 132 530 1002
M50	W32B-SE-4B-M50	111 132 530 1003
PG29	W32B-SE-4B-PG29	111 132 530 1004
PG36	W32B-SE-4B-PG36	111 132 530 1005
PG42	W32B-SE-4B-PG42	111 132 530 1006



Hoods, top entry



Thread	Designation	Order No.
M32	W32B-TE-4B-M32	111 132 430 1001
M40	W32B-TE-4B-M40	111 132 430 1002
M50	W32B-TE-4B-M50	111 132 430 1003
PG29	W32B-TE-4B-PG29	111 132 430 1004
PG36	W32B-TE-4B-PG36	111 132 430 1005
PG42	W32B-TE-4B-PG42	111 132 430 1006

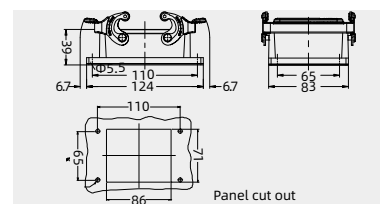


Bulkhead mounted housings



Thread	Designation	Order No.
---	H32B-BK-2L/SC	111 032 341 1001

Please refer to page 15-02 for choosing proper model of lock.

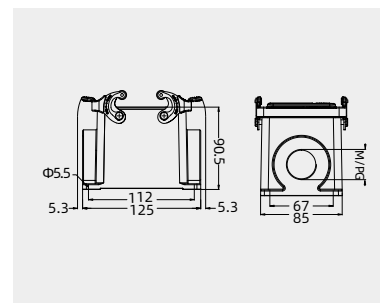


Surface mounted housings



Thread	Designation	Order No.
M32	H32B-SF-2L/SC-M32	111 032 241 1004
2M32	H32B-SF-2L/SC-2M32	111 032 241 1024
M40	H32B-SF-2L/SC-M40	111 032 241 1005
2M40	H32B-SF-2L/SC-2M40	111 032 241 1025
PG29	H32B-SF-2L/SC-PG29	111 032 241 1012
2PG29	H32B-SF-2L/SC-2PG29	111 032 241 1032
PG36	H32B-SF-2L/SC-PG36	111 032 241 1013
2PG36	H32B-SF-2L/SC-2PG36	111 032 241 1033
2PG42	H32B-SF-2L/SC-2PG42	111 032 241 1034

Please refer to page 15-02 for choosing proper model of lock.

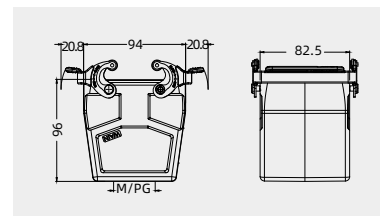


Housings, cable to cable



Thread	Designation	Order No.
M32	W32B-CCT-2L/SC-M32	111 132 741 1002
M40	W32B-CCT-2L/SC-M40	111 132 741 1003
M50	W32B-CCT-2L/SC-M50	111 132 741 1004
PG29	W32B-CCT-2L/SC-PG29	111 132 741 1005
PG36	W32B-CCT-2L/SC-PG36	111 132 741 1006
PG42	W32B-CCT-2L/SC-PG42	111 132 741 1007

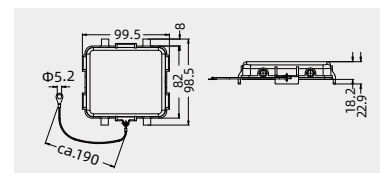
Please refer to page 15-02 for choosing proper model of lock.



Protection covers



Connect way	Designation	Order No.
	H32B-MCV-4B/2	111 032 030 8102

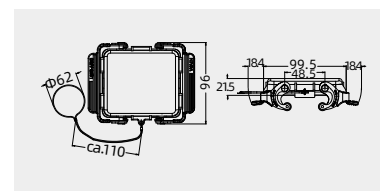


Protection covers



Connect way	Designation	Order No.
	H32B-MCV-2L/SC.1S	111 032 041 8101

Please refer to page 15-02 for choosing proper model of lock.



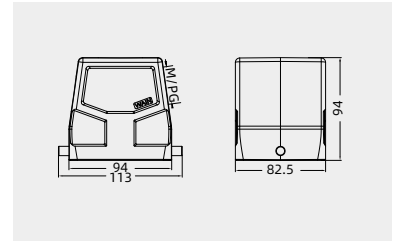
32B Metal hoods/housings

Degree of protection: IP67

Hoods, side entry



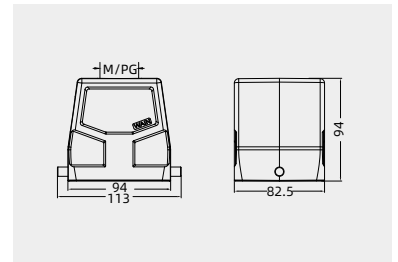
Thread	Designation	Order No.
M32	W32B-SE-2B-M32	111 132 510 1001
M40	W32B-SE-2B-M40	111 132 510 1002
M50	W32B-SE-2B-M50	111 132 510 1003
PG29	W32B-SE-2B-PG29	111 132 510 1004
PG36	W32B-SE-2B-PG36	111 132 510 1005
PG42	W32B-SE-2B-PG42	111 132 510 1006



Hoods, top entry



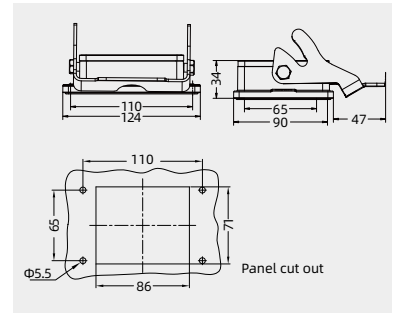
Thread	Designation	Order No.
M32	W32B-TE-2B-M32	111 132 410 1001
M40	W32B-TE-2B-M40	111 132 410 1002
M50	W32B-TE-2B-M50	111 132 410 1003
PG29	W32B-TE-2B-PG29	111 132 410 1004
PG36	W32B-TE-2B-PG36	111 132 410 1005
PG42	W32B-TE-2B-PG42	111 132 410 1006



Bulkhead mounted housings



Thread	Designation	Order No.
---	W32B-BK-1L/S	111 132 325 1001



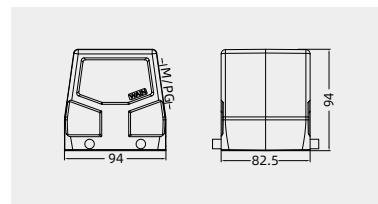
32B Metal hoods/housings

Degree of protection: IP67

Hoods, side entry



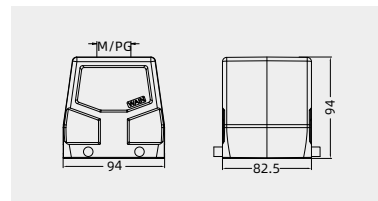
Thread	Designation	Order No.
M32	W32B-SE-4B-M32	111 132 530 1001
M40	W32B-SE-4B-M40	111 132 530 1002
M50	W32B-SE-4B-M50	111 132 530 1003
PG29	W32B-SE-4B-PG29	111 132 530 1004
PG36	W32B-SE-4B-PG36	111 132 530 1005
PG42	W32B-SE-4B-PG42	111 132 530 1006



Hoods, top entry



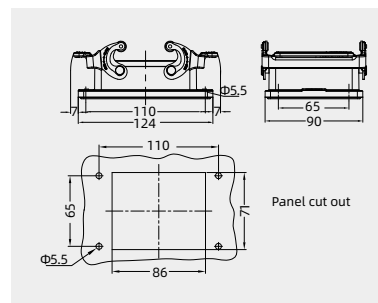
Thread	Designation	Order No.
M32	W32B-TE-4B-M32	111 132 430 1001
M40	W32B-TE-4B-M40	111 132 430 1002
M50	W32B-TE-4B-M50	111 132 430 1003
PG29	W32B-TE-4B-PG29	111 132 430 1004
PG36	W32B-TE-4B-PG36	111 132 430 1005
PG42	W32B-TE-4B-PG42	111 132 430 1006



Bulkhead mounted housings



Thread	Designation	Order No.
---	W32B-BK-2L/SC	111 132 341 1001

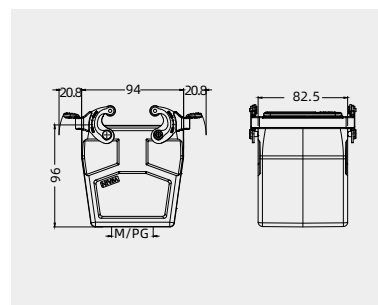


Please refer to page 15-02 for choosing proper model of lock.

Housings, cable to cable



Thread	Designation	Order No.
M32	W32B-CCT-2L/SC-M32	111 132 741 1002
M40	W32B-CCT-2L/SC-M40	111 132 741 1003
M50	W32B-CCT-2L/SC-M50	111 132 741 1004
PG29	W32B-CCT-2L/SC-PG29	111 132 741 1005
PG36	W32B-CCT-2L/SC-PG36	111 132 741 1006
PG42	W32B-CCT-2L/SC-PG42	111 132 741 1007



Please refer to page 15-02 for choosing proper model of lock.

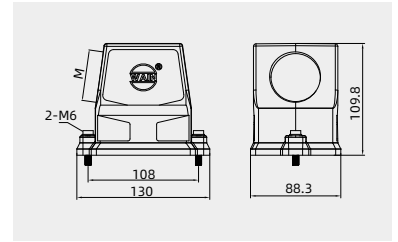
H32B Pressure tight hoods/housings

Degree of protection: IP68/IP69K

Hoods, side entry



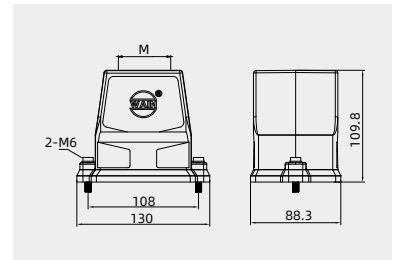
Thread	Designation	Order No.
M40	HP32B-SEH-2S-M40	115 032 520 5005
M50	HP32B-SEH-2S-M50	115 032 520 5006



Hoods, top entry



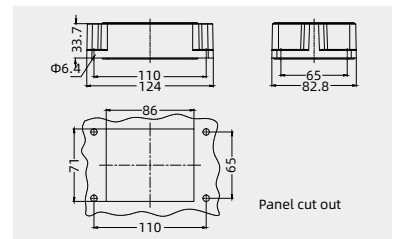
Thread	Designation	Order No.
M40	HP32B-TEH-2S-M40	115 032 420 5005
M50	HP32B-TEH-2S-M50	115 032 420 5006
M63	HP32B-TEH-2S-M63	115 032 420 5007



Bulkhead mounted housings



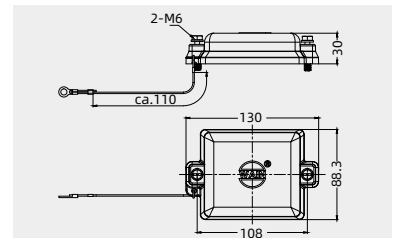
Thread	Designation	Order No.
---	HP32B-BK-2H	115 032 320 1001



Protection covers,for housings



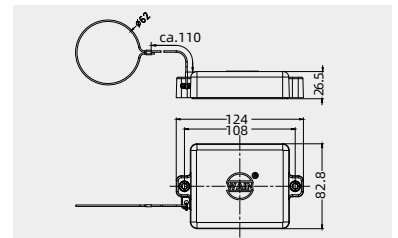
Thread	Designation	Order No.
---	HP32B-MCV-2S/2	115 032 020 8102



Protection covers,for hoods



Thread	Designation	Order No.
---	HP32B-MCV-2H/1	115 032 020 8103



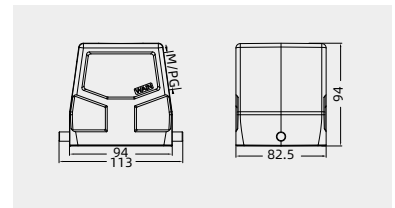
32B Metal hoods/housings
- for high voltage inserts(HVE Series)

Degree of protection: IP65

Hoods, side entry



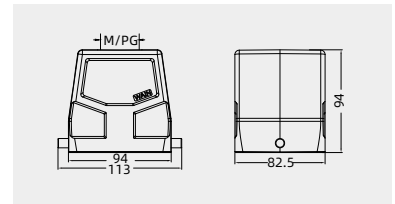
Thread	Designation	Order No.
M32	WV32B-SE-2B-M32	124 132 510 1001
PG29	WV32B-SE-2B-PG29	124 132 510 1002



Hoods, top entry



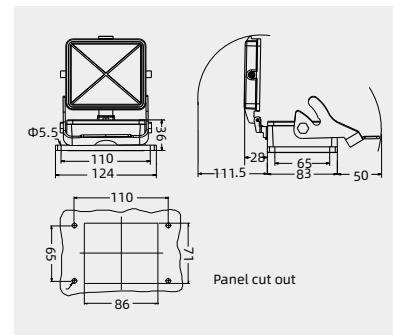
Thread	Designation	Order No.
M32	WV32B-TE-2B-M32	124 132 410 1001
M40	WV32B-TE-2B-M40	124 132 410 1002
M50	WV32B-TE-2B-M50	124 132 410 1003
PG29	WV32B-TE-2B-PG29	124 132 410 1004
PG36	WV32B-TE-2B-PG36	124 132 410 1005
PG42	WV32B-TE-2B-PG42	124 132 410 1006



Bulkhead mounted housings



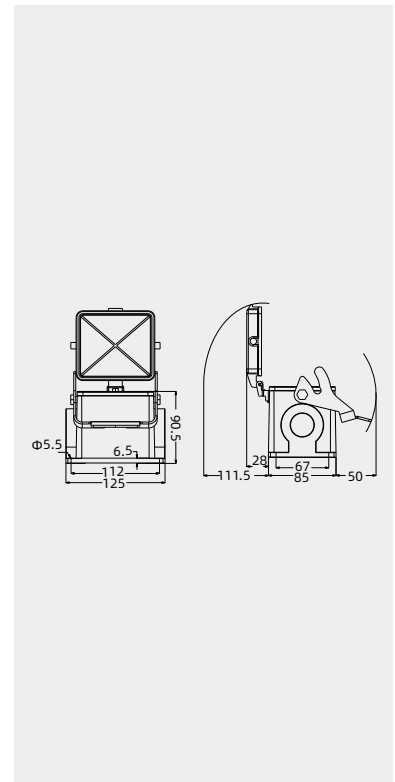
Thread	Designation	Order No.
---	HV32B-BK-1L/S with plastic cover	124 032 325 1001
---	HV32B-BK-1L/S-CV with metal cover	124 032 365 1001
---	HV32B-BK-1L/S-MCV	124 032 365 1101



Surface mounted housings



Thread	Designation	Order No.
M32	HV32B-SF-1L/S-M32	124 032 225 1004
2M32	HV32B-SF-1L/S-2M32	124 032 225 1024
M40	HV32B-SF-1L/S-M40	124 032 225 1005
2M40	HV32B-SF-1L/S-2M40	124 032 225 1025
PG29	HV32B-SF-1L/S-PG29	124 032 225 1012
2PG29	HV32B-SF-1L/S-2PG29	124 032 225 1032
PG36	HV32B-SF-1L/S-PG36	124 032 225 1013
2PG36	HV32B-SF-1L/S-2PG36	124 032 225 1033
	with plastic cover	
M32	HV32B-SF-1L/S-CV-M32	124 032 265 1004
2M32	HV32B-SF-1L/S-CV-2M32	124 032 265 1024
M40	HV32B-SF-1L/S-CV-M40	124 032 265 1005
2M40	HV32B-SF-1L/S-CV-2M40	124 032 265 1025
PG29	HV32B-SF-1L/S-CV-PG29	124 032 265 1012
2PG29	HV32B-SF-1L/S-CV-2PG29	124 032 265 1032
PG36	HV32B-SF-1L/S-CV-PG36	124 032 265 1013
2PG36	HV32B-SF-1L/S-CV-2PG36	124 032 265 1033
	with metal cover	
M32	HV32B-SF-1L/S-MCV-M32	124 032 265 1104
2M32	HV32B-SF-1L/S-MCV-2M32	124 032 265 1124
M40	HV32B-SF-1L/S-MCV-M40	124 032 265 1105
2M40	HV32B-SF-1L/S-MCV-2M40	124 032 265 1125
PG29	HV32B-SF-1L/S-MCV-PG29	124 032 265 1112
2PG29	HV32B-SF-1L/S-MCV-2PG29	124 032 265 1132
PG36	HV32B-SF-1L/S-MCV-PG36	124 032 265 1113
2PG36	HV32B-SF-1L/S-MCV-2PG36	124 032 265 1133



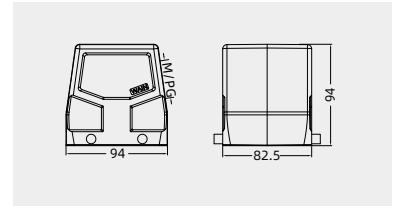
HV32B Metal hoods/housings - for high voltage inserts(HVE Series)

Degree of protection: IP65

Hoods, side entry



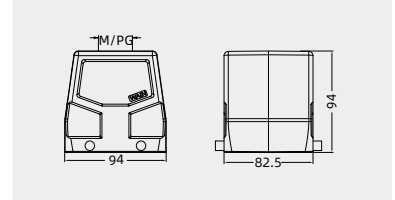
Thread	Designation	Order No.
M32	WV32B-SE-4B-M32	124 132 530 1001
M40	WV32B-SE-4B-M40	124 132 530 1002
PG29	WV32B-SE-4B-PG29	124 132 530 1003
PG36	WV32B-SE-4B-PG36	124 132 530 1004



Hoods, top entry



Thread	Designation	Order No.
M32	WV32B-TE-4B-M32	124 132 430 1001
M40	WV32B-TE-4B-M40	124 132 430 1002
M50	WV32B-TE-4B-M50	124 132 430 1003
PG29	WV32B-TE-4B-PG29	124 132 430 1004
PG36	WV32B-TE-4B-PG36	124 132 430 1005
PG42	WV32B-TE-4B-PG42	124 132 430 1006

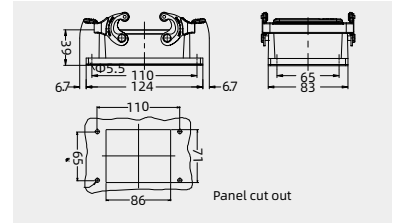


Bulkhead mounted housings



Thread	Designation	Order No.
---	HV32B-BK-2L/SC	124 032 341 1001

Please refer to page 15-02 for choosing proper model of lock.

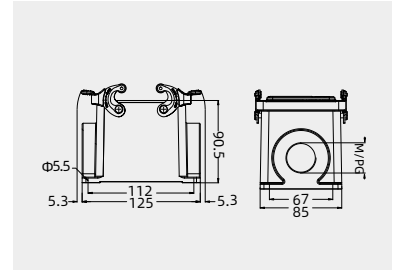


Surface mounted housings



Thread	Designation	Order No.
M32	HV32B-SF-2L/SC-M32	124 032 241 1004
2M32	HV32B-SF-2L/SC-2M32	124 032 241 1024
M40	HV32B-SF-2L/SC-M40	124 032 241 1005
2M40	HV32B-SF-2L/SC-2M40	124 032 241 1025
PG29	HV32B-SF-2L/SC-PG29	124 032 241 1012
2PG29	HV32B-SF-2L/SC-2PG29	124 032 241 1032
PG36	HV32B-SF-2L/SC-PG36	124 032 241 1013
2PG36	HV32B-SF-2L/SC-2PG36	124 032 241 1033

Please refer to page 15-02 for choosing proper model of lock.

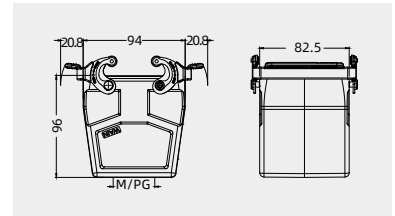


Housings, cable to cable



Thread	Designation	Order No.
M32	WV32B-CCT-2L/SC-M32	124 132 741 1001
M40	WV32B-CCT-2L/SC-M40	124 132 741 1002
PG29	WV32B-CCT-2L/SC-PG29	124 132 741 1003
PG36	WV32B-CCT-2L/SC-PG36	124 132 741 1004
PG42	WV32B-CCT-2L/SC-PG42	124 132 741 1005

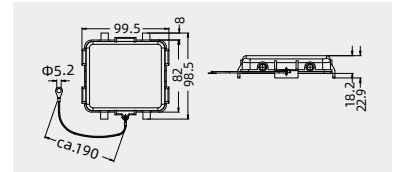
Please refer to page 15-02 for choosing proper model of lock.



Protection covers



Connect way	Designation	Order No.
	H32B-MCV-4B/2	111 032 030 8102

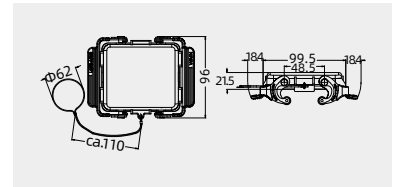


Protection covers



Connect way	Designation	Order No.
	H32B-MCV-2L/SC.1S	111 032 041 8101

Please refer to page 15-02 for choosing proper model of lock.



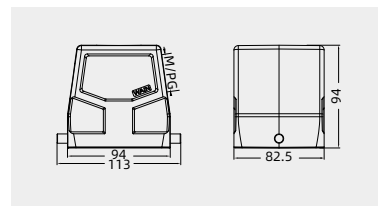
HV32B Metal hoods/housings - for high voltage inserts(HVE Series)

Degree of protection: IP65

Hoods, side entry



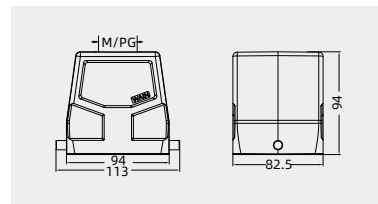
Thread	Designation	Order No.
M32	WV32B-SE-2B-M32	124 132 510 1001
PG29	WV32B-SE-2B-PG29	124 132 510 1002



Hoods, top entry



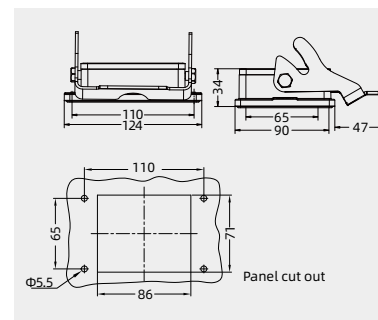
Thread	Designation	Order No.
M32	WV32B-TE-2B-M32	124 132 410 1001
M40	WV32B-TE-2B-M40	124 132 410 1002
M50	WV32B-TE-2B-M50	124 132 410 1003
PG29	WV32B-TE-2B-PG29	124 132 410 1004
PG36	WV32B-TE-2B-PG36	124 132 410 1005
PG42	WV32B-TE-2B-PG42	124 132 410 1006



Bulkhead mounted housings



Thread	Designation	Order No.
---	WV32B-BK-1L/S	124 132 325 1101



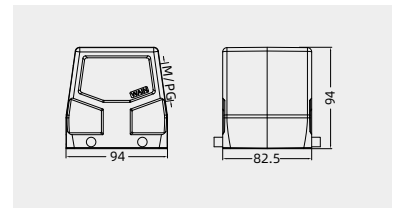
HV32B Metal hoods/housings - for high voltage inserts(HVE Series)

Degree of protection: IP67

Hoods, side entry



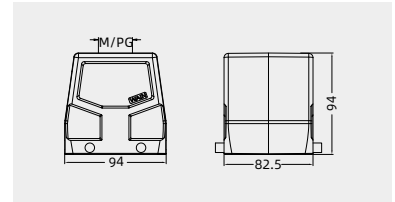
Thread	Designation	Order No.
M32	WV32B-SE-4B-M32	124 132 530 1001
M40	WV32B-SE-4B-M40	124 132 530 1002
PG29	WV32B-SE-4B-PG29	124 132 530 1003
PG36	WV32B-SE-4B-PG36	124 132 530 1004



Hoods, top entry



Thread	Designation	Order No.
M32	WV32B-TE-4B-M32	124 132 430 1001
M40	WV32B-TE-4B-M40	124 132 430 1002
M50	WV32B-TE-4B-M50	124 132 430 1003
PG29	WV32B-TE-4B-PG29	124 132 430 1004
PG36	WV32B-TE-4B-PG36	124 132 430 1005
PG42	WV32B-TE-4B-PG42	124 132 430 1006

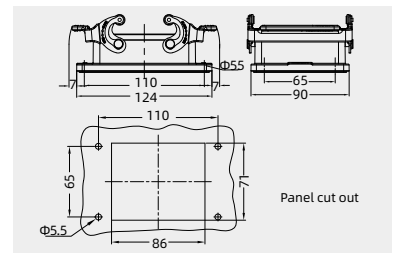


H

Bulkhead mounted housings



Thread	Designation	Order No.
---	WV32B-BK-2L/SC	124 132 341 1101

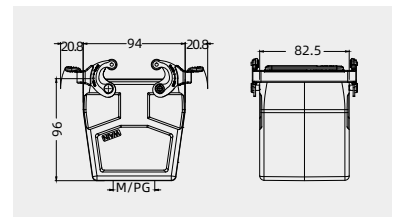


Please refer to page 15-02 for choosing proper model of lock.

Housings, cable to cable



Thread	Designation	Order No.
M32	WV32B-CCT-2L/SC-M32	124 132 741 1001
M40	WV32B-CCT-2L/SC-M40	124 132 741 1002
PG29	WV32B-CCT-2L/SC-PG29	124 132 741 1003
PG36	WV32B-CCT-2L/SC-PG36	124 132 741 1004
PG42	WV32B-CCT-2L/SC-PG42	124 132 741 1005



Please refer to page 15-02 for choosing proper model of lock.

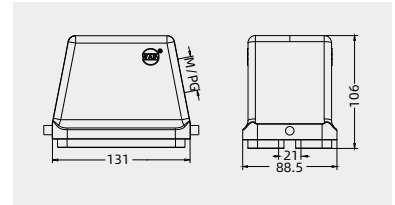
48B Metal hoods/housings

Degree of protection: IP65

Hoods, side entry



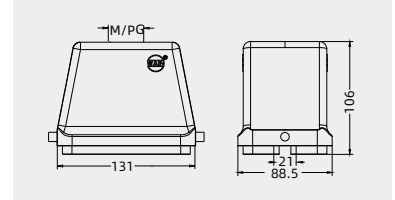
Thread	Designation	Order No.
M32	H48B-SE-2B-M32	111 048 515 1004
M40	H48B-SE-2B-M40	111 048 515 1005
M50	H48B-SE-2B-M50	111 048 515 1006
PG29	H48B-SE-2B-PG29	111 048 515 1012
PG36	H48B-SE-2B-PG36	111 048 515 1013
PG42	H48B-SE-2B-PG42	111 048 515 1014



Hoods, top entry



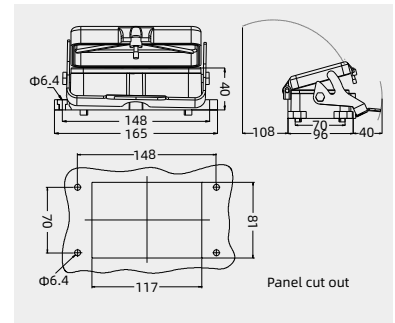
Thread	Designation	Order No.
M32	H48B-TE-2B-M32	111 048 415 1004
M40	H48B-TE-2B-M40	111 048 415 1005
M50	H48B-TE-2B-M50	111 048 415 1006
PG29	H48B-TE-2B-PG29	111 048 415 1012
PG36	H48B-TE-2B-PG36	111 048 415 1013
PG42	H48B-TE-2B-PG42	111 048 415 1014



Bulkhead mounted housings



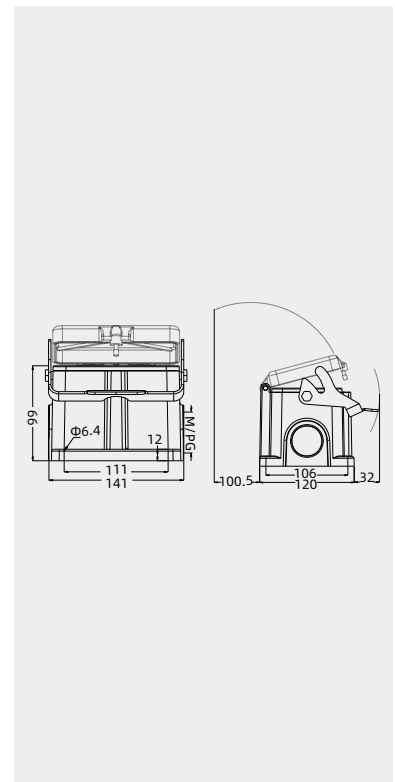
Thread	Designation	Order No.
---	H48B-BK-1L/S with plastic cover	111 048 325 1001
---	H48B-BK-1L/S-CV with metal cover	111 048 365 1001
---	H48B-BK-1L/S-MCV	111 048 365 1101



Surface mounted housings



Thread	Designation	Order No.
M32	H48B-SF-1L/S-M32	111 048 225 1004
2M32	H48B-SF-1L/S-2M32	111 048 225 1024
M40	H48B-SF-1L/S-M40	111 048 225 1005
2M40	H48B-SF-1L/S-2M40	111 048 225 1025
PG29	H48B-SF-1L/S-PG29	111 048 225 1012
2PG29	H48B-SF-1L/S-2PG29	111 048 225 1032
PG36	H48B-SF-1L/S-PG36	111 048 225 1013
2PG36	H48B-SF-1L/S-2PG36	111 048 225 1033
	with plastic cover	
M32	H48B-SF-1L/S-CV-M32	111 048 265 1004
2M32	H48B-SF-1L/S-CV-2M32	111 048 265 1024
M40	H48B-SF-1L/S-CV-M40	111 048 265 1005
2M40	H48B-SF-1L/S-CV-2M40	111 048 265 1025
PG29	H48B-SF-1L/S-CV-PG29	111 048 265 1012
2PG29	H48B-SF-1L/S-CV-2PG29	111 048 265 1032
PG36	H48B-SF-1L/S-CV-PG36	111 048 265 1013
2PG36	H48B-SF-1L/S-CV-2PG36	111 048 265 1033
	with metal cover	
M32	H48B-SF-1L/S-MCV-M32	111 048 265 1104
2M32	H48B-SF-1L/S-MCV-2M32	111 048 265 1124
M40	H48B-SF-1L/S-MCV-M40	111 048 265 1105
2M40	H48B-SF-1L/S-MCV-2M40	111 048 265 1125
PG29	H48B-SF-1L/S-MCV-PG29	111 048 265 1112
2PG29	H48B-SF-1L/S-MCV-2PG29	111 048 265 1132
PG36	H48B-SF-1L/S-MCV-PG36	111 048 265 1113
2PG36	H48B-SF-1L/S-MCV-2PG36	111 048 265 1133




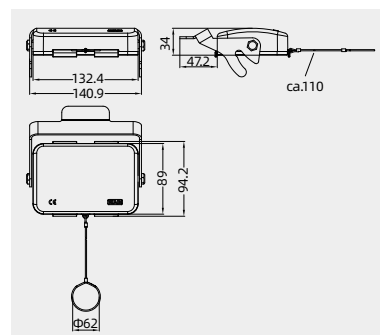
48B Metal hoods/housings

Degree of protection: IP65

Protection covers



Connect way	Designation	Order No.
	H48B-MCV-1L/S.1S	111 048 025 8001



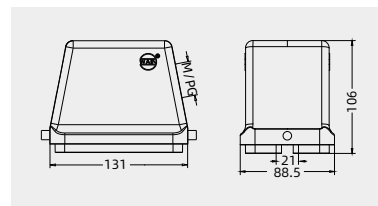
48B Metal hoods/housings -Suitable for harsh environment(anti-corrosion)

Degree of protection: IP65

Hoods, side entry



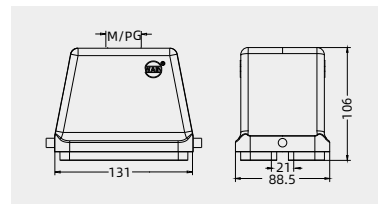
Thread	Designation	Order No.
M32	H48B-MSE-2B-M32	112 048 510 1004
M40	H48B-MSE-2B-M40	112 048 510 1005
M50	H48B-MSE-2B-M50	112 048 510 1006



Hoods, top entry



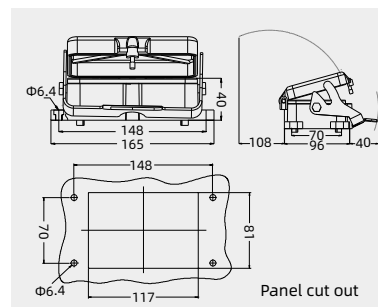
Thread	Designation	Order No.
M40	H48B-MTE-2B-M40	112 048 410 1005
M50	H48B-MTE-2B-M50	112 048 410 1006



Bulkhead mounted housings



Thread	Designation	Order No.
---	with plastic cover	
---	H48B-MBK-1L/S-CV	112 048 365 1001
---	with metal cover	
---	H48B-MBK-1L/S-MMCV	112 048 365 1101

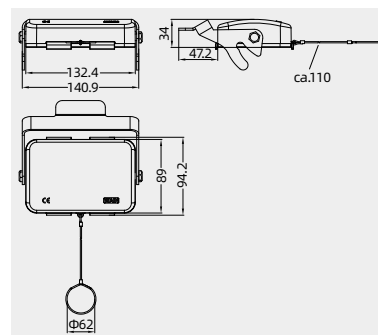


Please refer to page 15-02 for choosing proper model of lock.

Protection covers



Connect way	Designation	Order No.
	H48B-MMCV-1L/S.1S	112 048 025 8001



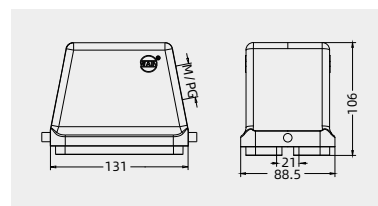
48B Metal hoods/housings - for high voltage inserts(HVE Series)

Degree of protection: IP65

Hoods, side entry



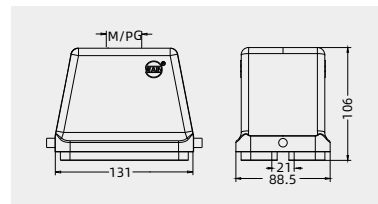
Thread	Designation	Order No.
M32	HV48B-SE-2B-M32	124 048 515 1004
M40	HV48B-SE-2B-M40	124 048 515 1005
M50	HV48B-SE-2B-M50	124 048 515 1006
PG29	HV48B-SE-2B-PG29	124 048 515 1012
PG36	HV48B-SE-2B-PG36	124 048 515 1013
PG42	HV48B-SE-2B-PG42	124 048 515 1014



Hoods, top entry



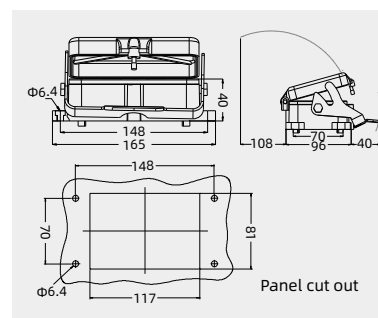
Thread	Designation	Order No.
M32	HV48B-TE-2B-M32	124 048 415 1004
M40	HV48B-TE-2B-M40	124 048 415 1005
M50	HV48B-TE-2B-M50	124 048 415 1006
PG29	HV48B-TE-2B-PG29	124 048 415 1012
PG36	HV48B-TE-2B-PG36	124 048 415 1013
PG42	HV48B-TE-2B-PG42	124 048 415 1014



Bulkhead mounted housings



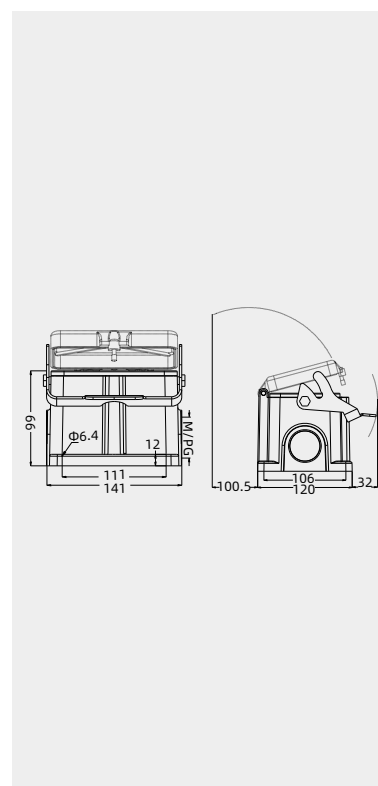
Thread	Designation	Order No.
---	HV48B-BK-1L/S with plastic cover	124 048 325 1001
---	HV48B-BK-1L/S-CV with metal cover	124 048 365 1001
---	HV48B-BK-1L/S-MCV	124 048 365 1101



Surface mounted housings



Thread	Designation	Order No.
M32	HV48B-SF-1L/S-M32	124 048 225 1004
2M32	HV48B-SF-1L/S-2M32	124 048 225 1024
M40	HV48B-SF-1L/S-M40	124 048 225 1005
2M40	HV48B-SF-1L/S-2M40	124 048 225 1025
PG29	HV48B-SF-1L/S-PG29	124 048 225 1012
2PG29	HV48B-SF-1L/S-2PG29	124 048 225 1032
PG36	HV48B-SF-1L/S-PG36	124 048 225 1013
2PG36	HV48B-SF-1L/S-2PG36	124 048 225 1033
	with plastic cover	
M32	HV48B-SF-1L/S-CV-M32	124 048 265 1004
2M32	HV48B-SF-1L/S-CV-2M32	124 048 265 1024
M40	HV48B-SF-1L/S-CV-M40	124 048 265 1005
2M40	HV48B-SF-1L/S-CV-2M40	124 048 265 1025
PG29	HV48B-SF-1L/S-CV-PG29	124 048 265 1012
2PG29	HV48B-SF-1L/S-CV-2PG29	124 048 265 1032
PG36	HV48B-SF-1L/S-CV-PG36	124 048 265 1013
2PG36	HV48B-SF-1L/S-CV-2PG36	124 048 265 1033
	with metal cover	
M32	HV48B-SF-1L/S-MCV-M32	124 048 265 1104
2M32	HV48B-SF-1L/S-MCV-2M32	124 048 265 1124
M40	HV48B-SF-1L/S-MCV-M40	124 048 265 1105
2M40	HV48B-SF-1L/S-MCV-2M40	124 048 265 1125
PG29	HV48B-SF-1L/S-MCV-PG29	124 048 265 1112
2PG29	HV48B-SF-1L/S-MCV-2PG29	124 048 265 1132
PG36	HV48B-SF-1L/S-MCV-PG36	124 048 265 1113
2PG36	HV48B-SF-1L/S-MCV-2PG36	124 048 265 1133



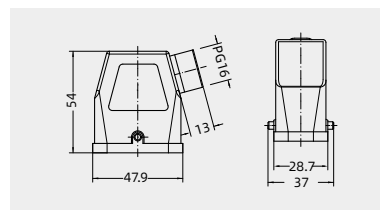
HC Plastic hoods/housings

Degree of protection: IP65

Hoods, side entry



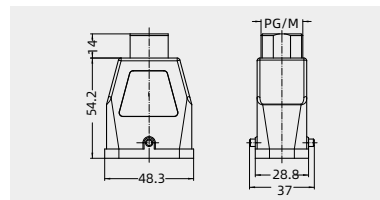
Thread	Designation	Order No.
PG16	HC.P-SE-2B-PG16	130 008 510 1010



Hoods, top entry



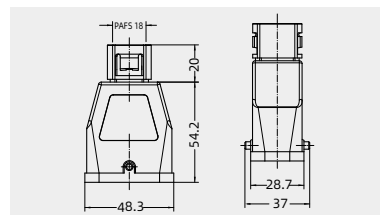
Thread	Designation	Order No.
M25	HC.P-TE-2B-M25	130 008 410 1003
PG16	HC.P-TE-2B-PG16	130 008 410 1010
PG21	HC.P-TE-2B-PG21	130 008 410 1011



Hoods, top entry



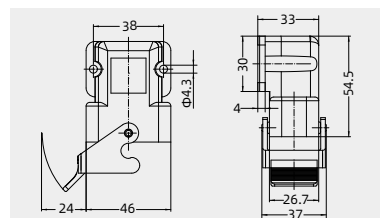
Thread	Designation	Order No.
PAFS18	HC.P-TE-2B-PAFS18	130 008 410 1091



Bulkhead mounted housings



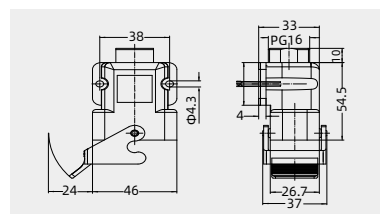
Thread	Designation	Order No.
---	HC.P-BK-1L-SE	130 008 927 1001



Surface mounted housings



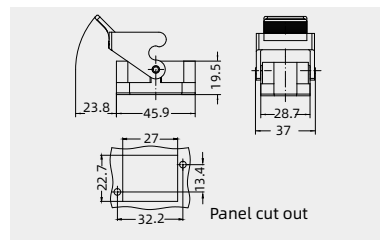
Thread	Designation	Order No.
PG16	HC.P-SF-1L-PG16	130 008 227 1010



Bulkhead mounted housings



Thread	Designation	Order No.
---	HC.P-BK-1L	130 008 327 1001



H

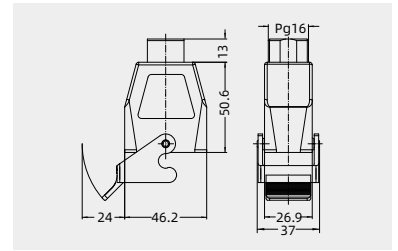
HC Plastic hoods/housings

Degree of protection: IP65

Housings, cable to cable



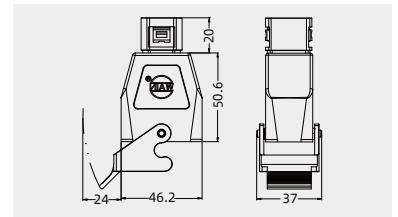
Thread	Designation	Order No.
M25	HC.P-CCT-1L-M25	130 008 727 1003
PG16	HC.P-CCT-1L-PG16	130 008 727 1010



Housings, cable to cable



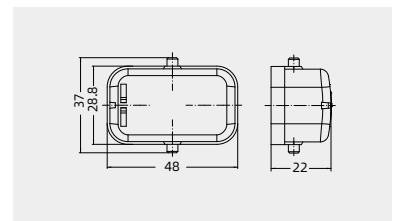
Thread	Designation	Order No.
PAFS18	HC.P-CCT-1L-PAFS18	130 008 727 1001



Protection covers



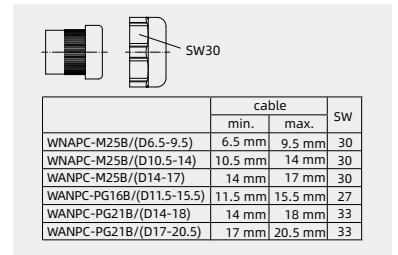
Thread	Designation	Order No.
---	without sealing	
---	HC.P-CV-2B/1	130 008 010 8001
---	Without sealing	
---	HC.P-CV-2B/2	130 008 010 8002



Cable gland, for hoods



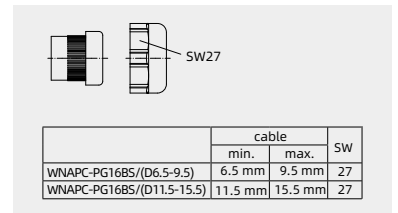
Thread	Designation	Order No.
M25	WNAPC-M25B(D6.5-9.5)	102 112 018 2002
M25	WNAPC-M25B(D10.5-14)	102 112 018 2004
M25	WNAPC-M25B(D14-17)	102 112 018 2006
PG16	WNAPC-PG16B(D11.5-15.5)	102 112 005 2002
PG21	WNAPC-PG21B(D14-18)	102 112 006 2002
PG21	WNAPC-PG21B(D17-20.5)	102 112 006 2004



Cable gland, for housings



Thread	Designation	Order No.
PG16	WNAPC-PG16BS(D6.5-9.5)	102 112 005 2102
PG16	WNAPC-PG16BS(D11.5-15.5)	102 112 005 2004



HC Metal hoods/housings

Epoxy power paint

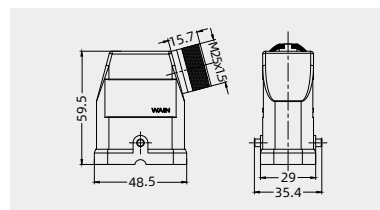
Degree of protection: IP65

Hoods, side entry



Thread	Designation	Order No.
M25	HC-SE-2B-M25	130 008 510 1003

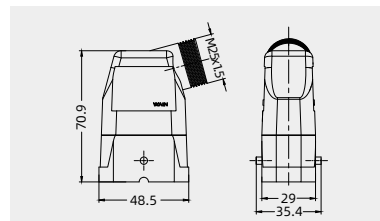
Cannot match the Inserts:130 008 510 1003, 130 608 510 1003 please find the details on page 11-17



Hoods, side entry, high construction



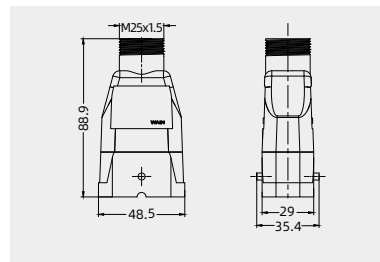
Thread	Designation	Order No.
M25	HC-SEH-2B-M25	130 008 510 5003



Hoods, top entry, high construction



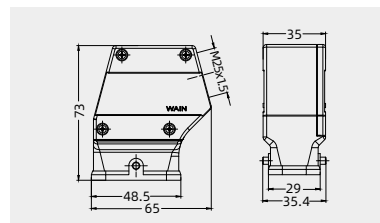
Thread	Designation	Order No.
M25	HC-TEH-2B-M25	130 008 410 5003



Hoods, side entry, high construction Split type



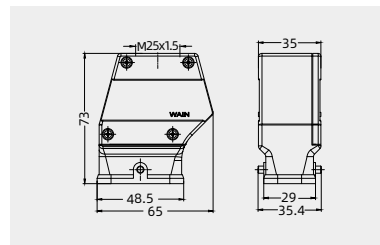
Thread	Designation	Order No.
M25	HC-SEHS-2B-M25	130 008 510 5103



Hoods, top entry, high construction Split type



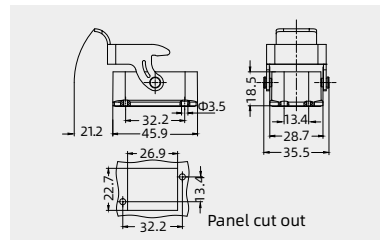
Thread	Designation	Order No.
M25	HC-TEHS-2B-M25	130 008 410 5103



Bulkhead mounted housings



Thread	Designation	Order No.
---	HC-BK-1L/S	130 008 325 1001



HC Metal hoods/housings

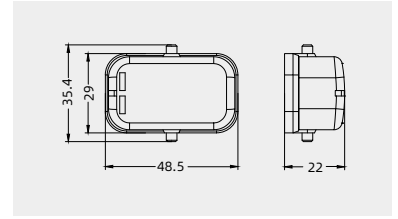
Epoxy power paint

Degree of protection: IP65

Protection covers



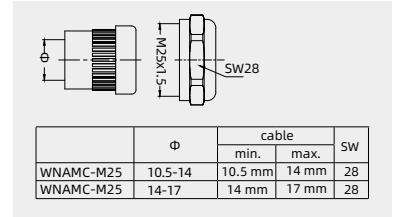
Thread	Designation	Order No.
	without sealing	
---	HC-MCV-2B/1	130 008 010 8101
	Without sealing	
---	HC-MCV-2B/2	130 008 010 8102



Cable gland, for hoods



Thread	Designation	Order No.
M25	WNAMC-M25(D6.5-9.5)	102 111 018 1001
M25	WNAMC-M25(D10.5-14)	102 111 018 1002
M25	WNAMC-M25(D14-17)	102 111 018 1003



HC Metal hoods/housings(EMC)

Nickel plating

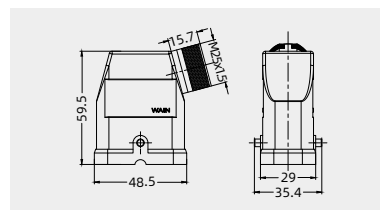
Degree of protection: IP65

Hoods, side entry



Thread	Designation	Order No.
M25	EMC.HC-SE-2B-M25	130 608 510 1003

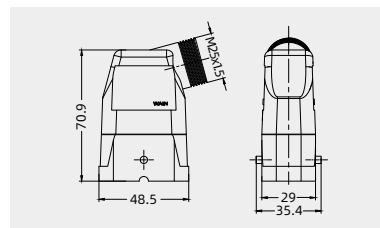
Cannot match the Inserts:130 008 510 1003, 130 608 510 1003 please find the details on page 11-17



Hoods, side entry, high construction



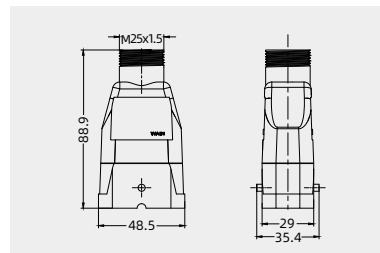
Thread	Designation	Order No.
M25	EMC.HC-SEH-2B-M25	130 608 510 5003



Hoods, top entry, high construction



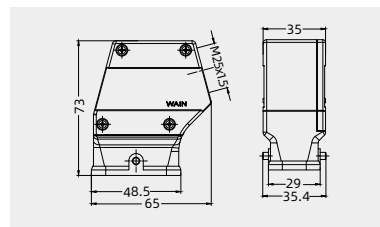
Thread	Designation	Order No.
M25	EMC.HC-TEH-2B-M25	130 608 410 5003



Hoods, side entry, high construction Split type



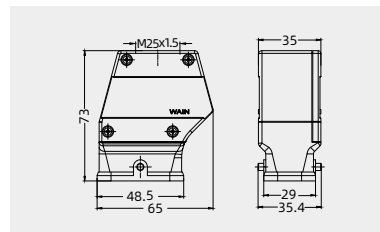
Thread	Designation	Order No.
M25	EMC.HC-SEHS-2B-M25	130 608 510 5103



Hoods, top entry, high construction Split type



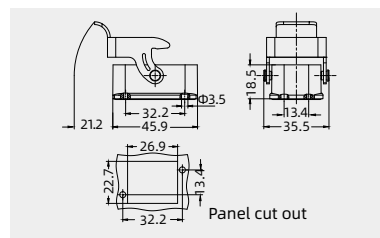
Thread	Designation	Order No.
M25	EMC.HC-TEHS-2B-M25	130 608 410 5103



Bulkhead mounted housings



Thread	Designation	Order No.
---	EMC.HC-BK-1L/S	130 608 325 1001



HC Metal hoods/housings(EMC)

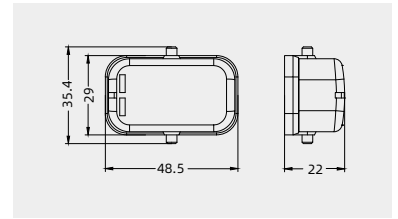
Nickel plating

Degree of protection: IP65

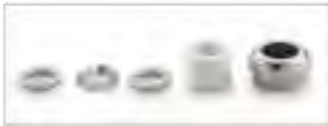
Protection covers



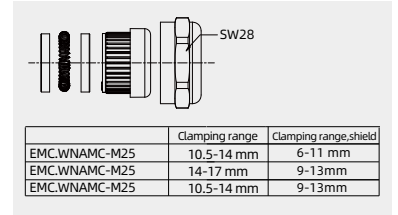
Thread	Designation	Order No.
	without sealing	
---	EMC.HC-MCV-2B/1	130 608 010 8101
	Without sealing	
---	EMC.HC-MCV-2B/2	130 608 010 8102



Cable gland, for hoods



Thread	Designation	Order No.
M25	EMC.WNAMC-M25(D10.5-14/D6-11)	102 118 018 1001
M25	EMC.WNAMC-M25(D14-17/D9-13)	102 118 018 1003
M25	EMC.WNAMC-M25(D10.5-14/D9-13)	102 118 018 1002



Seal part

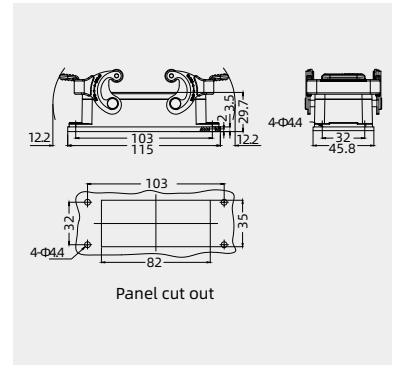
Material: EPDM

Bulkhead mounted housings

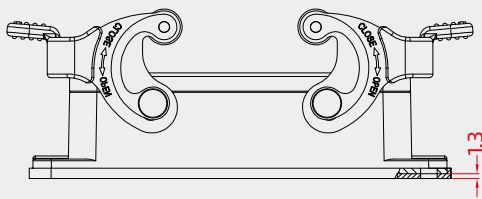


Thread	Designation	Order No.
---	H10A-BK-1L/SC-T	110 010 321 1002
---	H16A-BK-1L/SC-T	110 016 321 1002
---	H6B-BK-1L/SC-T	111 006 321 1007
---	H10B-BK-2L/SC-T	111 010 341 1005
---	H16B-BK-2L/SC-T	111 016 341 1005
---	H24B-BK-2L/SC-T	111 024 341 1003

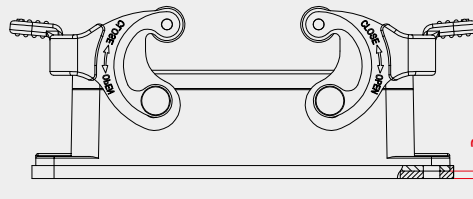
The thickened bottom gasket shown above is applicable to the regular BK housing of the same specification of H series.



H



H16B-BK-2L/SC
(Regular gasket)



H16B-BK-2L/SC-T
(thickened gasket) (Thickened position)

Performance characteristics:

- Color: dark grey
- Increase the compression thickness of sealing surface
Take "H16B-BK-2L/SC-T" as an example:
The thickness of regular gasket is 1.3mm, and thickened gasket is 2mm
- Limiting temperatures: -40°C ...+125°C
- Gasket material: EPDM
- It has good weather resistance and can effectively slowdown aging!

Seal part

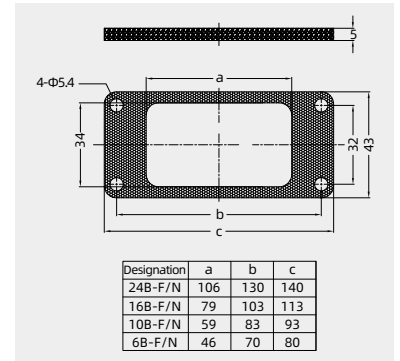
Material:CR

Seal part



Thread	Designation	Order No.
---	6B-F/N	903 000 000 0107
---	10B-F/N	903 000 000 0040
---	16B-F/N	903 000 000 0062
---	24B-F/N	903 000 000 0081

The thickened bottom gasket shown above is applicable to the regular BK housing of the same specification of H series.



H

Performance characteristics:

- Color: beige
- The thickness of the gasket is 5mm
- Limiting temperatures: -40°C ...+125°C
- Gasket material: CR
- Good weather resistance, ozone resistance, oil resistance and solvent resistance, suitable for pitch system in wind power industry.