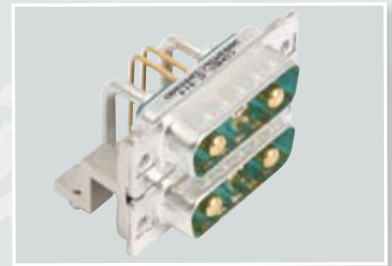


CONEC[®]

TECHNOLOGY IN CONNECTORS[™]

μTCA POWER MODULE INPUT CONNECTOR



MEMBER OF



Following on the heels of the ATCA standard which was developed by the PICMG® subcommittee, the MicroTCA version defines a specification for small, low-cost systems which over time are expected to find their way into a whole range of new applications.

QUALITY IN CONNECTION POWER INPUT CONNECTORS FOR MICROTCA

An inherent part of a MicroTCA system is at least one power module. Power input connectors are located on the front of a power module. A cable is installed between the connectors and the external power source.

The MicroTCA specification defines the interface which should be applied.

SPECIFICATION FOR POWER INPUT CONNECTORS

The 7W2 combination D-SUB connector was selected for power supplies with -48 V and -60 V inputs. For coding purposes, the 9W4 was chosen for +24V inputs.

The connector has two high-current contacts and two signal contacts in a conventional D-SUB housing. The signal contacts act as control contacts used for hot swapping, and the specification states that they should be shunted at the cable connector end.

At the maximum rated current of 24A per power pin for the 7W2 version and 49A for the 9W4 type, the temperature rise at the contact must not exceed 30° C.

Furthermore the specification claims, that the connector should be designed for 200 mating cycles and additional EMI filtering options should be available.



POWER MODULES



CONEC PRODUCT RANGE FOR POWER INPUT CONNECTORS

For many years, CONEC has been one of the leading suppliers of reliable, high-precision connectors for telecommunications and industrial electronics. These high-quality combination connectors have a proven track record worldwide in a whole range of applications.

The high standards led to the development of a MicroTCA power input connector which exceeds MicroTCA specifications. The power contacts used by CONEC are precision screw machined parts. Due to the material selection and workmanship, the connectors meet and exceed the mechanical and electrical standards and offer significant power and performance reserves.

A special diecasting process is used to produce the rugged mounting brackets which provide an extremely stable attachment to the PCB.

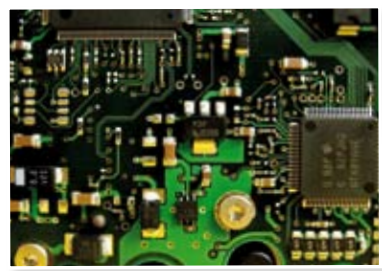
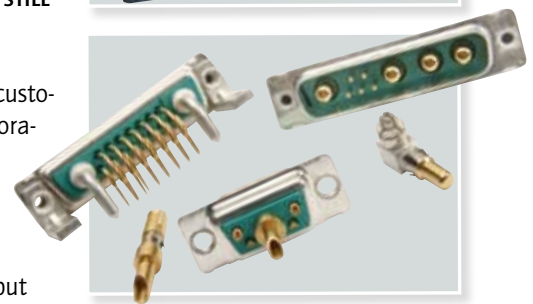
In addition to the connectors specified in the MicroTCA standard, CONEC offers several variants as single-port versions, SMT types and connectors with a standard combination D-SUB connector footprint.

Applicable socket connectors and cable housings, which allow a concurrent occupation of both ports, complete the product range.

THE DEVELOPMENT IS STILL IN PROGRESS

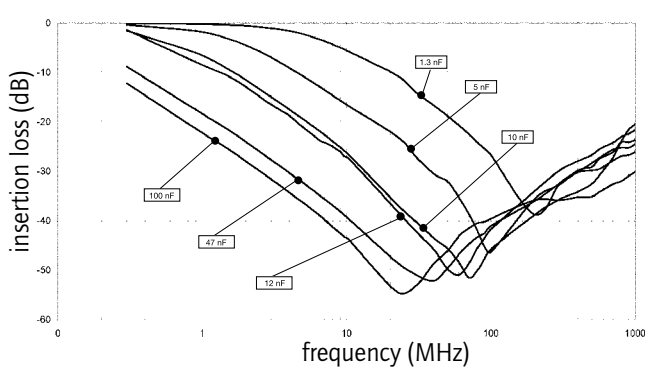
Special requests by customers and our collaboration in the PICMG® subcommittee show: the efforts for standardization are still in progress but simultaneously the demand for special solutions is still growing. If you don't find your connector in this overview: Just inquire!

www.conec.com



FILTER TECHNOLOGY

The MicroTCA standard types and several versions were alternatively offered as filtered connectors. The application of filtered connectors saves space on the PCB and reduces assembly costs. Filter connectors require the same PCB layout as the standard versions. CONEC offers the MicroTCA power module input connectors with a standard low pass filter with a capacitance of 10 nF and 54 nF per power pin. Other versions are available on request.



MICROTCA POWER MODULE INPUT CONNECTOR IN ACC. TO MICROTCA.O SPECIFICATIONS

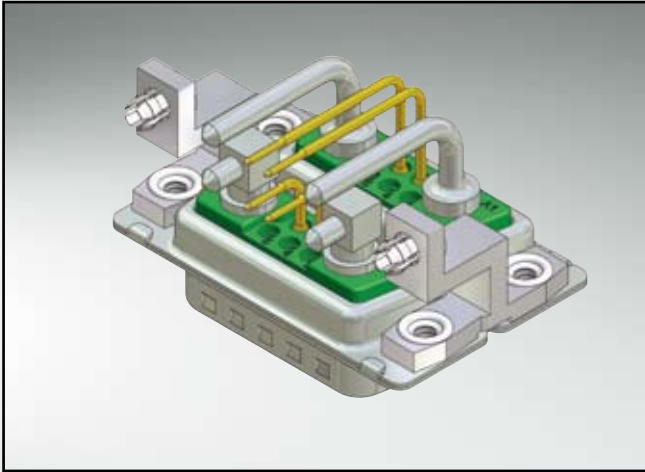
Technical Data

	Material	Finish
Insulator	PBT (UL 94-V0)	
Power contacts	Copper alloy, screw machined contacts	Mating area Au over Ni Termination area Sn over Ni
Signal contacts	Copper alloy, screw machined contacts	Mating area Au over Ni Termination area Au over Ni
Shell	Steel	Tin plated
Mounting brackets	Zinc diecast	Tin plated
Thread insert UNC 4-40	Copper alloy	Tin plated
Hexagonal bolts with UNC 4-40 thread and washers	Steel	Nickel plated
Boardlock for 1,6 mm PCB	Copper alloy	Tin plated
Electrical Characteristics		
Current rating	Power contacts	24 A @ max. 30°C temperature rise
	Signal contacts	7,5 A nominal
Creepage and clearance distances	Power contacts	1,5 mm min.
	Signal contacts	0,4 mm min.
	Signal and power contacts	1,5 mm min.
	Power contacts and shell	1,5 mm min.
	Signal contacts and shell	1,5 mm min.
Insulation withstanding between	Power contacts	5000 MOhm min.
	Signal contacts	5000 MOhm min.
	Signal and power contacts	5000 MOhm min.
	Power contacts and shell	5000 MOhm min.
	Signal contacts and shell	5000 MOhm min.
Voltage proof	1000 V r.m.s.	
Mechanical Characteristics		
Mechanical operations	250 Cycles	
Insertion force	100 N max.	
Extraction force	65 N max.	

Directive 2002/95/EC
„RoHS“
Compliant

MICROTCA POWER MODULE INPUT CONNECTOR

Standard Version

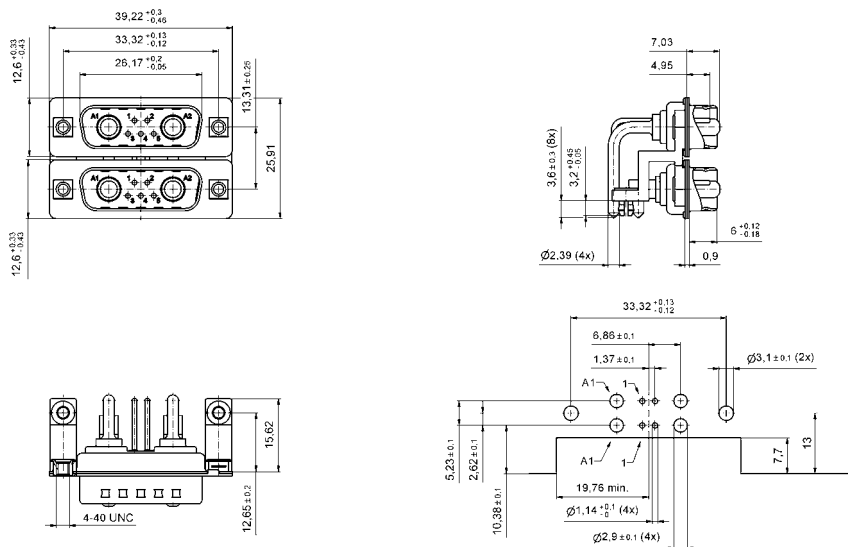


PRODUCT FEATURES

Standard dual port version of 7W2 type for -48V/-60 V power input modules. Two power contacts with 24 A current rating and two signal contacts in acc. to MicroTCA specifications. Solid zinc diecast mounting brackets for secure mount on the printed circuit board.

- Standard version in acc. to MTCA.0-specification
- 7W2 type for -48/-60V power modules
- 9W4 type for +24 V power modules on request
- Filtered versions with 54 nF or 10 nF

CONNECTOR DIMENSIONS AND PCB-HOLEPATTERN



ORDERING OPTIONS

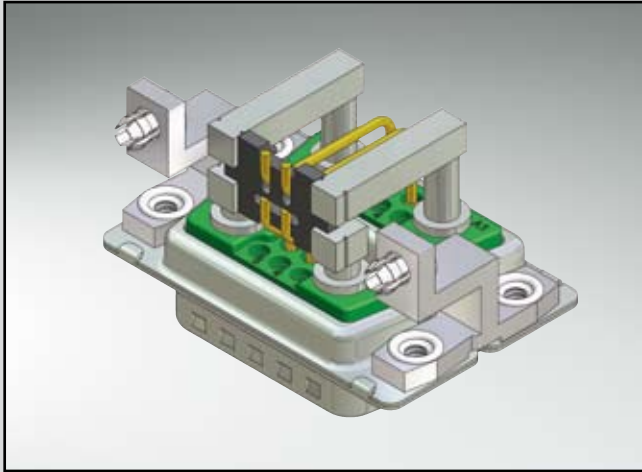
Mounting options shell	Filter Options	Part numbers
with UNC 4-40 thread and hexagonal bolts UNC 4-40*	-	13-000011
with UNC 4-40 thread w/o bolts	-	13-000021
with UNC 4-40 thread and hexagonal bolts UNC 4-40*	54 nF filter	24-000031
with UNC 4-40 thread w/o bolts	54 nF filter	24-000011
with UNC 4-40 thread and hexagonal bolts UNC 4-40*	10 nF filter	24-000041
with UNC 4-40 thread w/o bolts	10 nF filter	24-000051

*design of hexagonal bolts and additional accessories see page 15

Detailed data sheets for the mentioned part numbers are available under www.conec.com

MICROTCA POWER MODULE INPUT CONNECTOR

SMD Version

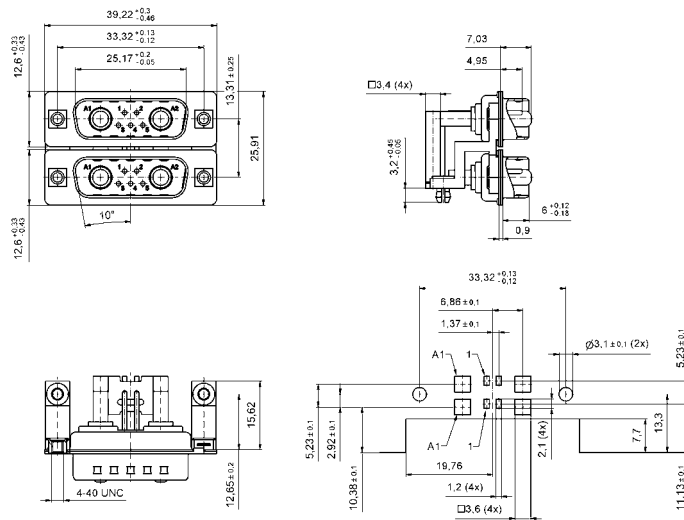


PRODUCT FEATURES

Surface mount type of the specified MicroTCA standard connector. For reliable surface mount processing the contacts are prepositioned by a special fixing plate. The power pins are rated for up to 35 A per contact.

- SMD version
- 7W2 type for -48/-60V power modules
- 9W4 type for +24 V power modules on request

CONNECTOR DIMENSIONS AND PCB-HOLEPATTERN



ORDERING OPTIONS

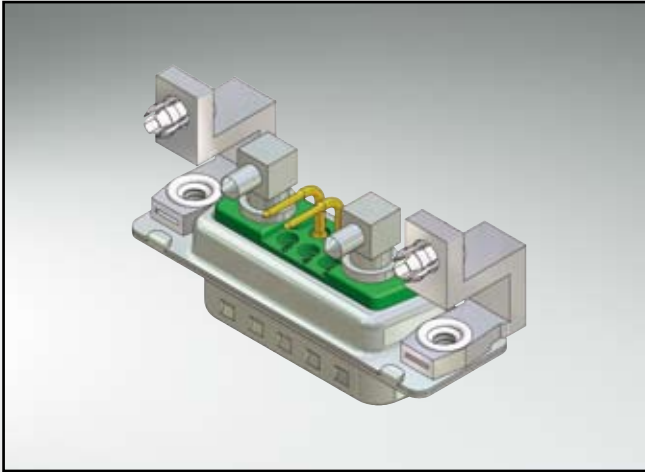
Mounting options shell	Part numbers
with UNC 4-40 thread and hexagonal bolts UNC	13-000031
with UNC 4-40 thread w/o bolts	13-000041

*design of hexagonal bolts and additional accessories see page 15

Detailed data sheets for the mentioned part numbers are available under www.conec.com

POWER MODULE INPUT CONNECTOR

MicroTCA PCB Layout – Single Port



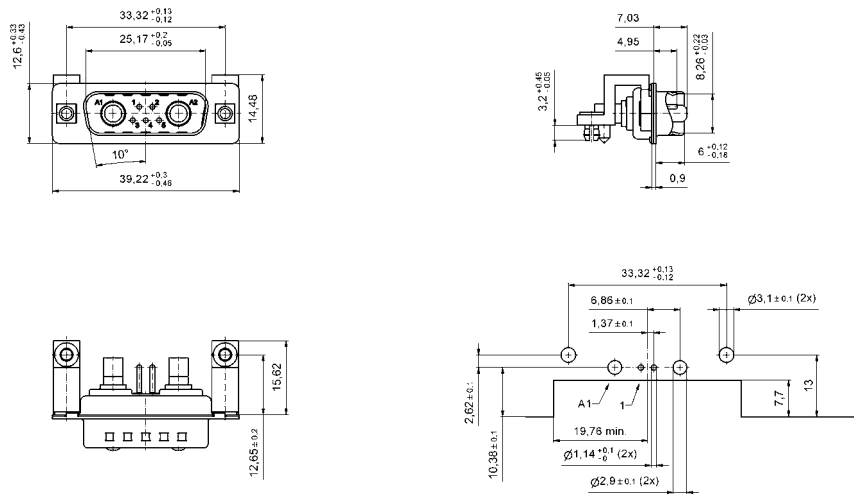
PRODUCT FEATURES

7W2 type single port version for the design of "compact size" power modules with one power supply input. Two power contacts rated up to 24 A and two signal contacts in acc. to MicroTCA specifications.

Solid zinc diecast mounting brackets for secure mount on the printed circuit board.

- Single port version for MicroTCA PCB Layout
- 7W2 type for -48/-60V power modules
- 9W4 type for +24 V power modules on request
- filtered versions with 54 nF or 10 nF

CONNECTOR DIMENSIONS AND PCB-HOLEPATTERN



ORDERING OPTIONS

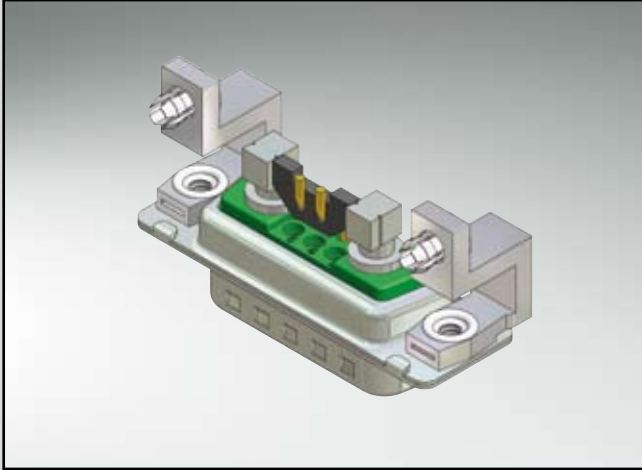
Mounting options shell	Filter options	Part numbers
with UNC 4-40 thread and hexagonal bolts UNC 4-40*	-	13-000051
with UNC 4-40 thread w/o bolts	-	13-000061
with UNC 4-40 thread and hexagonal bolts UNC 4-40*	54 nF filter	24-000061
with UNC 4-40 thread w/o bolts	54 nF filter	24-000071
with UNC 4-40 thread and hexagonal bolts UNC 4-40*	10 nF filter	24-000081
with UNC 4-40 thread w/o bolts	10 nF filter	24-000091

*design of hexagonal bolts and additional accessories see page 15

Detailed data sheets for the mentioned part numbers are available under www.conec.com

POWER MODULE INPUT CONNECTOR

MicroTCA PCB Layout – Single Port SMD Version



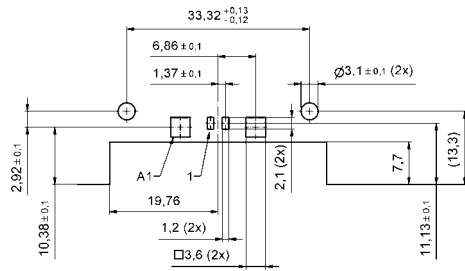
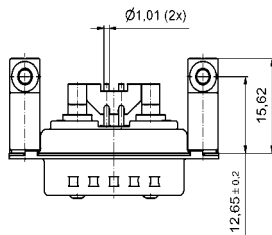
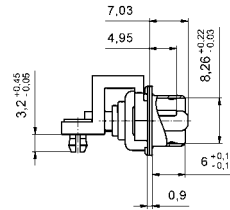
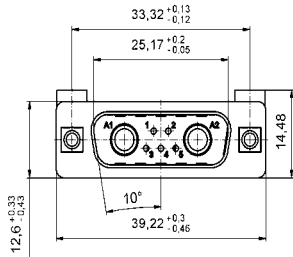
PRODUCT FEATURES

7W2 type single port version. SMD type for surface mount technology. For secure surface mount processing the contacts are prepositioned by a special fixing plate.

The power pins are rated for up to 35 A per contact .

- SMD version
- 7W2 type for -48/-60V power modules
- 9W4 type for +24 V power modules on request

CONNECTOR DIMENSIONS AND PCB-HOLEPATTERN



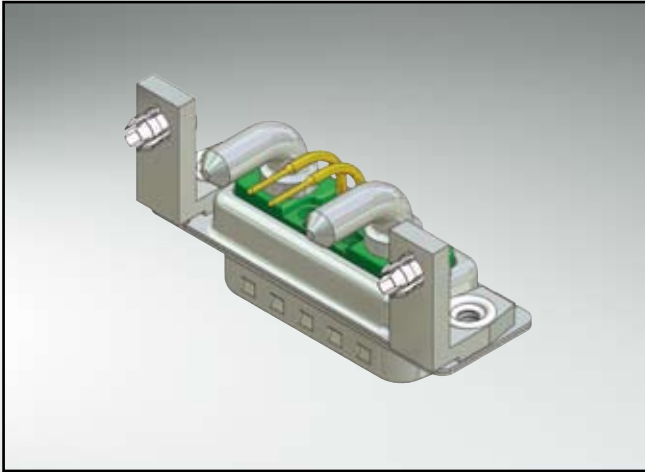
ORDERING OPTIONS

Mounting options shell	Part numbers
with UNC 4-40 thread and hexagonal bolts UNC 4-40*	13-000071
with UNC 4-40 thread w/o bolts	13-000081

*design of hexagonal bolts and additional accessories see page 15

POWER INPUT CONNECTOR

Single Port – Standard PCB Layout

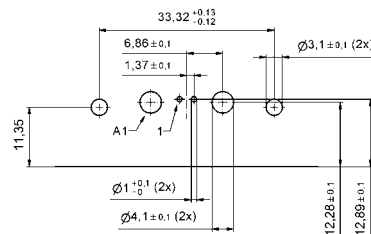
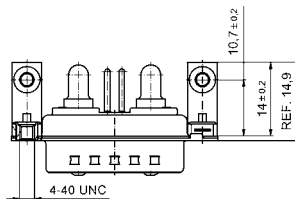
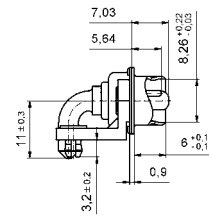
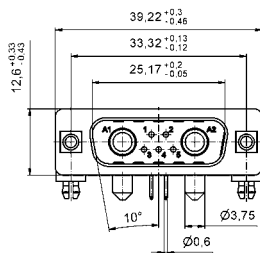


PRODUCT FEATURES

7W2 single port connector from the CONEC combination D-SUB programm with power contacts. Designed for industry typical PCB layout with standard footprint and mounting brackets. Power contacts rated up to 40 A per pin. Two signal contacts in acc. to MicroTCA specifications assembled.

- Combination D-SUB design and PCB layout
- 40 A power contacts
- filtered versions with 54 nF or 10 nF
- 9W4 type for +24 V power modules on request

CONNECTOR DIMENSIONS AND PCB-HOLEPATTERN



ORDERING OPTIONS

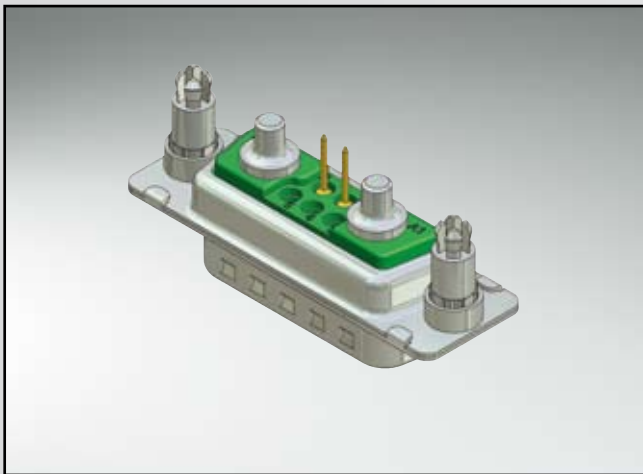
Mounting option shell	Filter options	Part numbers
with UNC 4-40 thread and hexagonal bolts UNC 4-40*	-	13-000091
with UNC 4-40 thread w/o bolts	-	13-000101
with UNC 4-40 thread and hexagonal bolts UNC 4-40*	54 nF filter	24-000101
with UNC 4-40 thread w/o bolts	54 nF filter	24-000111
with UNC 4-40 thread and hexagonal bolts UNC 4-40*	10 nF filter	24-000121
with UNC 4-40 thread w/o bolts	10 nF filter	24-000131

* design of hexagonal bolts and additional accessories see page 15

Detailed data sheets for the mentioned part numbers are available under www.conec.com

POWER INPUT CONNECTOR

Single Port – Straight Version

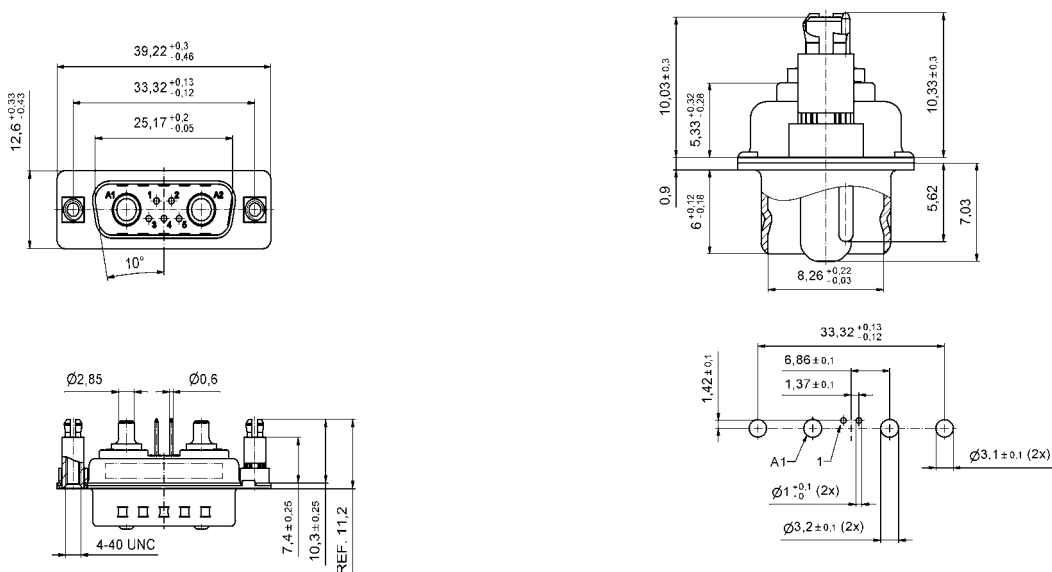


PRODUCT FEATURES

Straight contacts with threaded spacer clips for vertical assembly on the PCB.
24 A rated power contacts. Signal contacts assembled on position 1 and 2 in acc. to MicroTCA specifications.

- Straight contacts
- 24 A power contacts
- filtered versions with 54 nF or 10 nF
- 9W4 type for +24 V power modules on request

CONNECTOR DIMENSIONS AND PCB-HOLEPATTERN



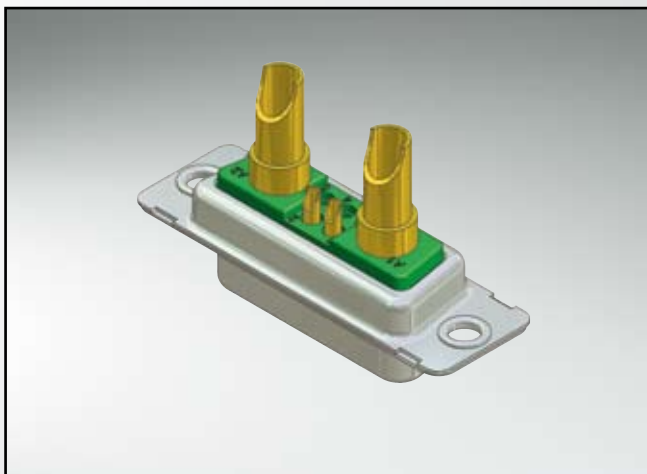
ORDERING OPTIONS

Mounting options shell	Filter options	Part numbers
with UNC 4-40 thread and hexagonal bolts UNC 4-40*	-	13-000111
with UNC 4-40 thread w/o bolts	-	13-000121
with UNC 4-40 thread and hexagonal bolts UNC 4-40*	54 nF filter	24-000141
with UNC 4-40 thread w/o bolts	54 nF filter	24-000151
with UNC 4-40 thread and hexagonal bolts UNC 4-40*	10 nF filter	24-000161
with UNC 4-40 thread w/o bolts	10 nF filter	24-000171

*design of hexagonal bolts and additional accessories see page 15

D-SUB SOCKET FOR MICROTCA POWER MODULE

Solder Cup Version

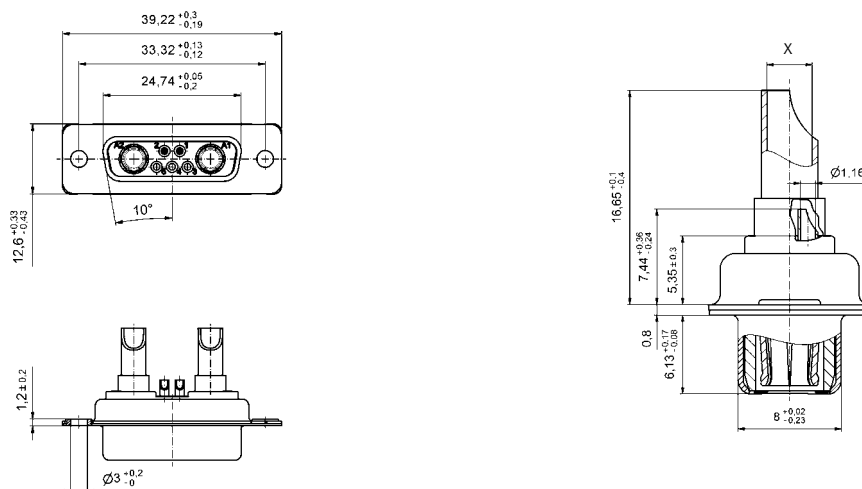


PRODUCT FEATURES

Applicable D-SUB socket for the cable side of MicroTCAs power supply as solder cup version. Power contacts available in three sizes for different cable diameters and current ratings. Signal contacts only on position 1 and 2 in acc. to MicroTCA specifications.

- power contacts for cable size AWG 10 to AWG 20
- two signal contacts in pos. 1 and 2
- 9W4 for +24 V power modules on request

CONNECTOR DIMENSIONS



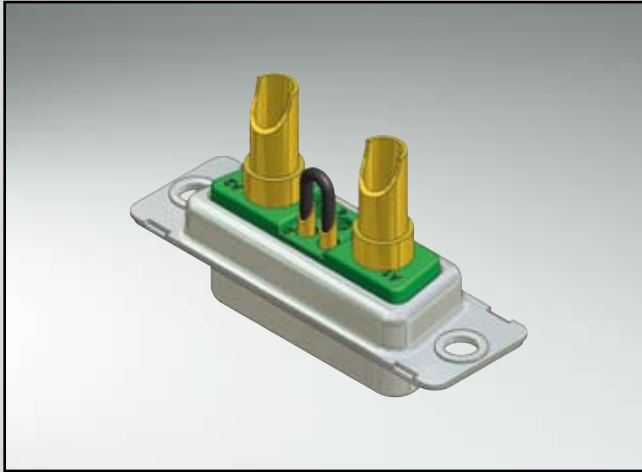
ORDERING OPTIONS

Applicable cable size	ØX (mm)	Part numbers
AWG 10-12 for up to 30 A current rating	3,5	13-000131
AWG 12-14 for up to 20 A current rating	2,7	13-000141
AWG 16-20 for up to 10 A current rating	1,8	13-000151

Detailed data sheets for the mentioned part numbers are available under www.conec.com

D-SUB SOCKET FOR MicroTCA POWER MODULE

Solder Cup Version – Bridged

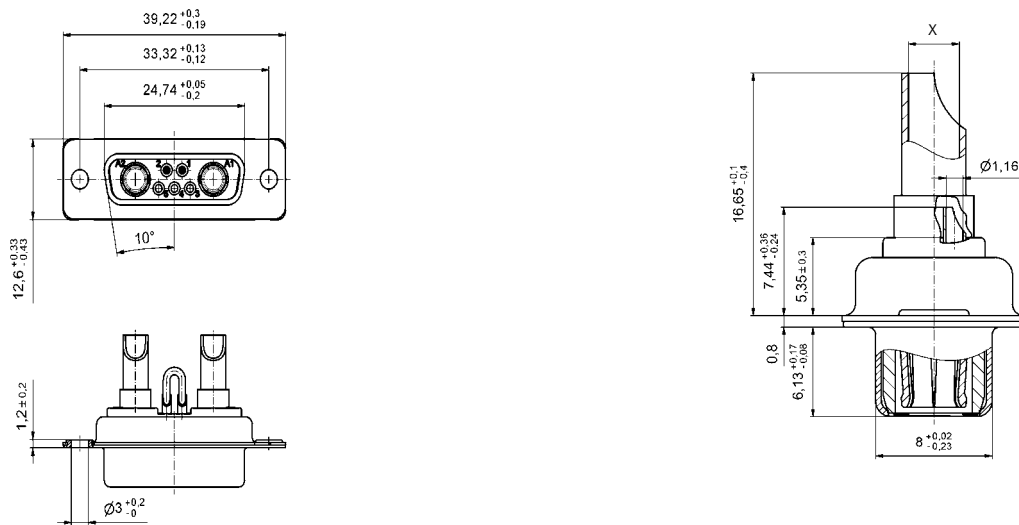


PRODUCT FEATURES

Applicable D-SUB socket for the cable side of MicroTCAs power supply as solder cup version.
 Power contacts available in three sizes for different cable diameters and current ratings.
 Signal contacts in position 1 and 2 bridged as recommended in MicroTCA specifications.

- power contacts for cable size AWG 10 to AWG 20
- two signal contacts assembled and bridged
- 9W4 types for +24 V power modules on request

CONNECTOR DIMENSIONS



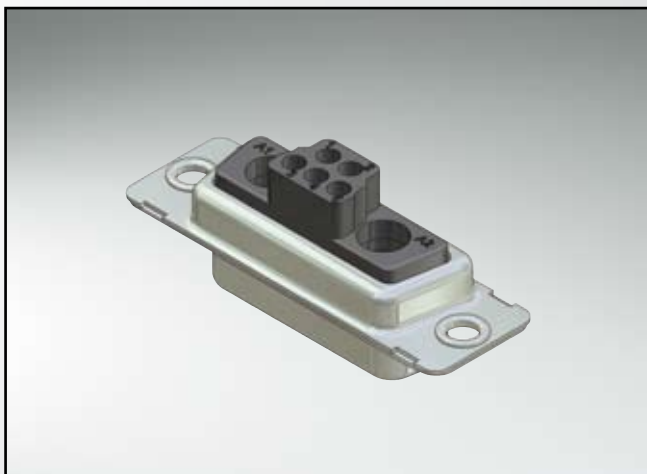
ORDERING OPTIONS

Applicable cable size	ØX (mm)	Part numbers
AWG 10-12 for up to 30 A current rating	3,5	13-000161
AWG 12-14 for up to 20 A current rating	2,7	13-000171
AWG 16-20 for up to 10 A current rating	1,8	13-000181

Detailed data sheets for the mentioned part numbers are available under www.conec.com

D-SUB SOCKET FOR MICROTCA POWER MODULE

Crimp Version



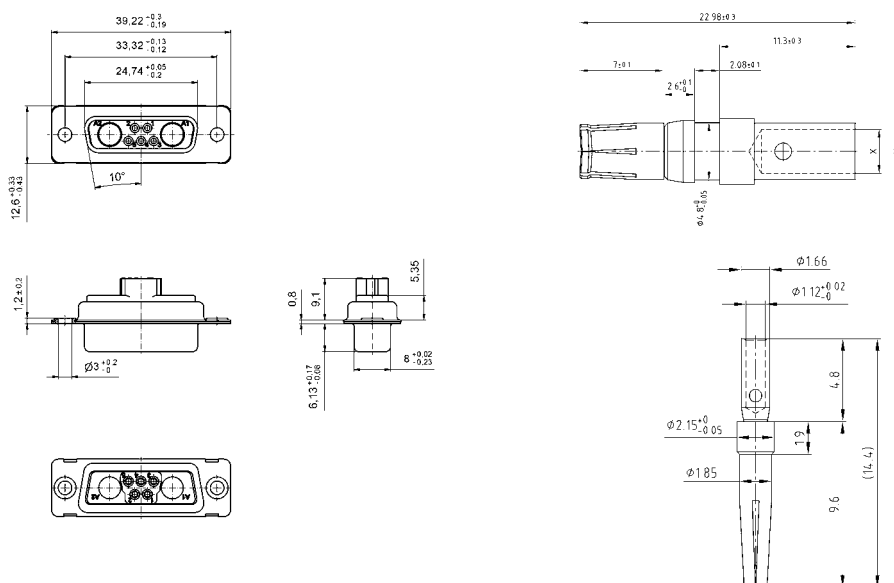
PRODUCT FEATURES

Applicable D-SUB socket for the cable side of MicroTCAs power supply as crimp version.

Power contacts available in three sizes for different cable diameters and current ratings.

- crimp version
- power contacts for cable size AWG 10 to AWG 20
- 9W4 for +24 V power modules on request

CONNECTOR DIMENSIONS



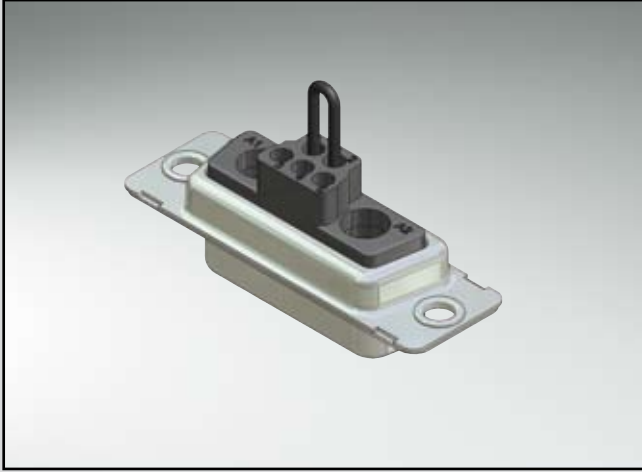
ORDERING OPTIONS

Description	X(mm)	Y(mm)	Part numbers
D-SUB Crimp Housing 7W2	-	-	13-000190
Power crimp contact AWG 10-12 for up to 30 A current rating	3,7	4,7	132C11039X
Power crimp contact AWG 12-14 for up to 20 A current rating	2,6	3,6	132C11029X
Power crimp contact AWG 16-20 for up to 10 A current rating	1,7	2,6	132C11019X
Signal crimp contact AWG 20-24 for up to 7,5 A current rating	-	-	162C18709X

Detailed data sheets for the mentioned part numbers are available under www.conec.com

D-SUB SOCKET FOR MicroTCA POWER MODULE

Crimp Version – Bridged

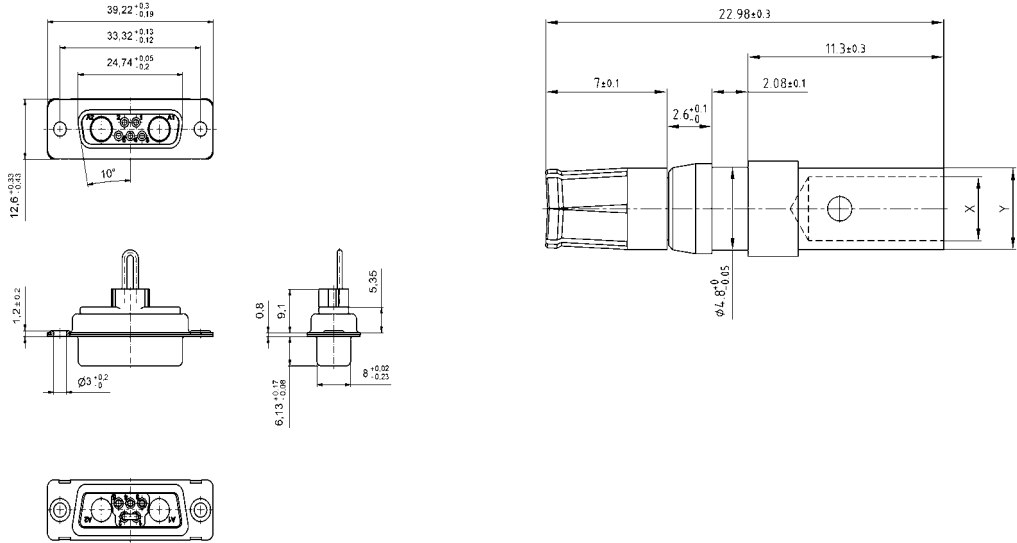


PRODUCT FEATURES

Applicable D-SUB socket for the cable side of MicroTCAs power supply as crimp version. Power contacts available in three sizes for different cable diameters and current ratings. Signal contacts in position 1 and 2 bridged as recommended in MicroTCA specifications.

- crimp version
- Power contacts for cable size AWG 10 to AWG 20
- two signal contacts assembled and bridged
- 9W4 types for +24 V power modules on request

CONNECTOR DIMENSIONS



ORDERING OPTIONS

Description	X(mm)	Y(mm)	Part numbers
D-SUB Crimp Housing 7W2, bridged signal contacts	–	–	13-000201
Power crimp contact AWG 10-12 for up to 30 A current rating	3,7	4,7	132C11039X
Power crimp contact AWG 12-14 for up to 20 A current rating	2,6	3,6	132C11029X
Power crimp contact AWG 16-20 for up to 10 A current rating	1,7	2,6	132C11019X

Detailed data sheets for the mentioned part numbers are available under www.conec.com

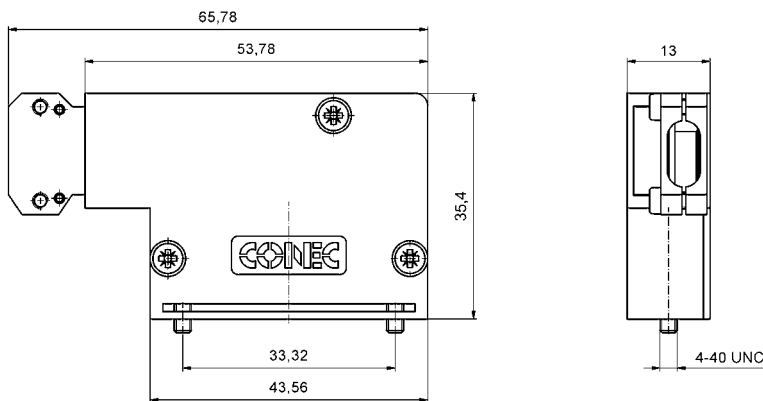
HOOD FOR MicroTCA SOCKET CONNECTORS



PRODUCT FEATURES

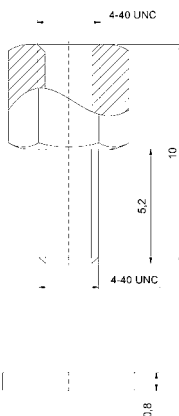
Special hood for 7W2 MicroTCA connectors. The flat design of the hood allows a parallel use of both ports of the dual port standard connector.

- flat type version
- side cable exit
- screw mounting on the power module
- strain relief



ORDERING OPTIONS

Description	Part number
MicroTCA hood 7W2	16-000010



- Set of two bolts UNC 4-40 and two washers

ORDERING OPTIONS

Description	Part number
Set hexagonal bolts	16-000020



CONEC
Elektronische Bauelemente GmbH
Ostenfeldmark 16
59557 Lippstadt
Germany

Tel. +49 2941 765-0
Fax +49 2941 76565
E-Mail info@conec.de
www.conec.com



Canada

Tel. +1 905 790 2200 • Fax +1 905 790 2201
E-Mail info@conec.com

England

Tel. +44 1635 36929 • Fax +44 1635 36925
E-Mail info@conec.co.uk

Nordic Region

Tel. +45 4593 5533 • Fax +45 4593 5523
E-Mail info@conec.dk

Spanien

Tel: +34 607 369 369 • Fax. +34 933 969 084
E-Mail info@conec-hispana.com

USA

Tel. +1 919 460 8800 • Fax +1 919 460 0141
E-Mail info@conec.com

China

Tel. +86 21 66300930 • Fax +86 21 66300911
E-Mail info@conec.cn

France

Tel. +33 2 32071058 • Fax +33 2 32071063
E-Mail info@conec.fr

Polen

Tel. +48 713643002 • Fax +48 713643010
E-Mail info@conec.pl

Tschechien

Tel. +420 577 350132 • Fax +420 577 350134
E-Mail info@conec.cz

THE COMPANY

CONEC Elektronische Bauelemente GmbH was founded 1978 in Lippstadt, Germany. Currently more than 400 employees work at the company production sites. Precision connectors for high-end applications are produced at production plants in Lippstadt (Germany), Brampton (Canada), Garner (USA) and Loucka (Czech Republic).

THE COMPETENCE

CONEC is an ISO/TS 16949:2002 certified company and is a qualified vendor to many well-known telecommunications, automotive, avionics and industrial electronics manufacturers. The company maintains a very high degree of vertical integration to ensure that it can react quickly to customer expectations and changes in the market. In-house tool making capability gives CONEC ample flexibility to quickly build or modify tools to accommodate customer-specific solutions.

THE QUALITY

The company is one of the world market leaders in filter connectors, combination D-SUB connectors and water resistant connectors.

THE FLEXIBILITY

The company also produces standard D-SUB, DIN / EN, coax, fiber optics and RJ 45 connectors as well as PICMG-compliant connectors and M12 and M8 circular connectors. Besides the broad product range, customers also value the company's ability to provide customer-specific solutions.

www.conec.com